









Inductive Barrel Sensor Selection Guide

Embeddable/Nonembeddable Barrels					
					
Housing	3 mm	4 mm	4 mm	4 mm	5 mm
Sensing Range	1 mm	1 mm	1 mm	1 mm	1 mm
Pages	B9	B9	B9	B11	B11
Features					
2-wire					
3/4-wire	•	•	•	•	•
2-wire AC/DC					

Embeddable/Nonembeddable Barrels				
				
Housing	5 mm	6.5 mm	6.5 mm	8 mm
Sensing Range	1 mm	1.5 - 6 mm	1.5 - 6 mm	1.5 - 2 mm
Pages	B11	B13 - 16	B13 - 16	B17
Features		Uprox	Uprox	
2-wire				
3/4-wire	•	•	•	•
2-wire AC/DC				





Embeddable/Nonembeddable Barrels				
				
Housing	8 mm	Side Sensing	Side Sensing	8 mm
Sensing Range	1.5 - 2 mm	1 - 1.5 mm	1.5 mm	1.5 - 6 mm
Pages	B17	B19	B19	B23 - 34
Features	Uprox			Uprox
2-wire				•
3/4-wire	•	•	•	•
2-wire AC/DC				

We reserve the right to make technical alterations without prior notice.







Inductive Barrel Sensor Selection Guide

Embeddable/Nonembeddable Barrels

				
Housing	8 mm	12 mm	12 mm	12 mm
Sensing Range	1.5 - 6 mm	2 - 10 mm	2 - 8 mm	2 - 10 mm
Pages	B35 - 42	B43 - 64	B59	B65 - 72
Features		Uprox	Uprox	
2-wire	•	•		•
3/4-wire	•	•	•	•
2-wire AC/DC		•		•

Embeddable/Nonembeddable Barrels

				
Housing	12 mm	12 mm	18 mm	18 mm
Sensing Range	2 - 8 mm	2 - 8 mm	5 - 15 mm	2 - 10 mm
Pages	B73	B75	B77 - 104	B95 B103
Features	Uprox	Uprox	Uprox	Uprox
2-wire		•	•	
3/4-wire	•	•	•	•
2-wire AC/DC	•		•	





Embeddable/Nonembeddable Barrels




				
Housing	18 mm	18 mm	18 mm	18 mm
Sensing Range	5 - 15 mm	5 - 12 mm	5 - 10 mm	5 - 12 mm
Pages	B105 - 110	B99 - 112	B113	B115
Features	Uprox	Uprox	Uprox	Uprox
2-wire	•	•		
3/4-wire	•	•	•	•
2-wire AC/DC	•	•	•	•





We reserve the right to make technical alterations without prior notice.

Inductive Barrel Sensors

Inductive Barrel Sensor Selection Guide

Embeddable/Nonembeddable Barrels				
				
Housing	30 mm	30 mm	30 mm	30 mm
Sensing Range	10 - 30 mm	10 - 20 mm	10 - 30 mm	10 - 20 mm
Pages	B117 - 132	B127 B143	B133 - 140	B141
Features	Uprox	Uprox	Uprox	Uprox
2-wire	•	•	•	•
3/4-wire	•	•	•	•
2-wire AC/DC	•	•	•	•

Embeddable/Nonembeddable Barrels				
				
Housing	30 mm	30 mm	40 mm	47 mm
Sensing Range	10 - 20 mm	10 - 20 mm	30 mm	20 - 25 mm
Pages	B145	B145	B147	B147
Features	Uprox			
2-wire				
3/4-wire	•	•	•	•
2-wire AC/DC	•	•	•	•

Embeddable/Nonembeddable Barrels				
				
Housing	47 mm	40 mm	47 mm	Variable
Sensing Range	20 - 25 mm	15 - 30 mm	25 - 40 mm	1 - 15 mm
Pages	B147	B149	B149	B151 - 162
Features				
2-wire				•
3/4-wire	•	•	•	
2-wire AC/DC	•	•	•	

We reserve the right to make technical alterations without prior notice.



Inductive Barrel Sensor Part Number Key

We reserve the right to make technical alterations without prior notice.

B	I	10	U	-	G	T	30	-	A	DZ	30	X2	Wiring Option*	Special Option Code**
----------	----------	-----------	----------	---	----------	----------	-----------	---	----------	-----------	-----------	-----------	-----------------------	------------------------------

<p>Mounting B = embeddable N = nonembeddable</p> <p>Principle of Operation I = inductive</p> <p>Rated Operating Distance (mm)</p> <p>Sensing Characteristics U = Uprox® sensor</p> <p>Housing Material Modifier E = stainless steel</p> <p>Housing Style</p> <p>Barrel - Metal G = full threading, generally chrome plated brass GS = threaded side sensor H = smooth, chrome plated brass or stainless steel HS = smooth side sensor M = partial threading, chrome plated brass</p> <p>Barrel - Plastic K = smooth P = full threading S = partial threading SK = side sensing/slot sensor, plastic housing</p> <p>Primary Barrel Modifier T = PTFE coated</p> <p>Housing Diameter or Height (mm)</p> <p>Secondary Barrel Modifier CA = conduit adaptor E = extended barrel length EE = extra long barrel length F = stainless steel face FE = stainless steel face, extended barrel length H = Stoneface® K = short barrel length M = medium barrel length S = side sensing SE = extended length SK = right-angle terminal chamber SR = straight terminal chamber T = barb fitting at cable entry TC = terminal chamber WD = washdown IP68/IP69K</p>	<p>Number of LEDs (blank) = no LEDs X = 1 LED X2 = 2 LEDs</p> <p>Voltage Range</p> <p>AC/DC: (No SCP**) 3 = 20-250 VAC, 10-300 VDC 14 = 20-132 VAC, 10-140 VDC 31 = 20-250 VAC, 10-300 VDC, plastic barrel 33 = 35-250 VAC, grounded metal barrel</p> <p>AC/DC: (Latched SCP) 30 = 20-250 VAC, 10-300 VDC 32 = 20-250 VAC, 10-300 VDC 40 = 20-140 VAC/DC, high off-state current</p> <p>DC: 4 = 10-65 VDC, polarity protected, pulsed SCP** 6 = 10-30 VDC, polarity protected, pulsed SCP 7 = 10-30 VDC, TTL compatible 8 = 20-30 VDC, polarity protected, pulsed SCP 41 = 10-55 VDC, polarity protected, pulsed SCP 44 = 10-55 VDC 45 = 8.4-64 Volts **SCP = short-circuit and overload protection</p> <p>Output D = 2-wire DC (transistor output) DZ = 2-wire AC/DC, (power MOSFET output) G = 2-wire DC, low voltage drop N = NPN transistor (current sinking) P = PNP transistor (current sourcing) Z = 2-wire AC or 2-wire AC/DC</p> <p>Output Function A = normally open (N.O.) DA = dynamic output (ring sensor), normally open F = connection programmable (N.O or N.C.) R = normally closed (N.C.) V = complementary outputs: one N.O., one N.C. Y0 = NAMUR output, requires switching amplifier Y1 = NAMUR output, requires switching amplifier, ATEX Approved</p>
------------------------------------------------------------------------------------------------------------------------------------------------------------------------------------------------------------------------------------------------------------------------------------------------------------------------------------------------------------------------------------------------------------------------------------------------------------------------------------------------------------------------------------------------------------------------------------------------------------------------------------------------------------------------------------------------------------------------------------------------------------------------------------------------------------------------------------------------------------------------------------------------------------------------------------------------------------------------------------------------------------------------------------------------------------------------------------------------------------------------------------------------------------------------------------------------------------------------------------------------------------------------------------------------------------------------------------------------------------------------------------------------------------------------------------------------------------------------------------------------------------------------------------------------------------------------------------------------------------------------------------------	--------------------------------------------------------------------------------------------------------------------------------------------------------------------------------------------------------------------------------------------------------------------------------------------------------------------------------------------------------------------------------------------------------------------------------------------------------------------------------------------------------------------------------------------------------------------------------------------------------------------------------------------------------------------------------------------------------------------------------------------------------------------------------------------------------------------------------------------------------------------------------------------------------------------------------------------------------------------------------------------------------------------------------------------------------------------------------------------------------------------------------------------------------------------------------------------------------------------------------------------------------------------------------------------------------------------------------------------------------------------------------------------------------------------------------------------------------------------------------------------------------------------------------------------------------------------------------------------------------------------------------------------------------------------------------------------------------------------------------------------------

NOTE:
 Part number keys are to assist in identification only.
 Verify new part numbers with factory; some configurations are not possible.

Inductive Barrel Sensor Part Number Key

Wiring Options*

A. Connectorized Sensor

Bi2-M12-AN6X - H1 1 4 1

Connector Family

- B1 = Minifast®, 7/8"-16UN, metal, male
- B2 = Minifast®, 7/8"-16UN, plastic, male
- B3 = Microfast®, 1/2"-20UNF, metal, male
- H1 = Eurofast®, M12x1, metal or plastic, male
- V1 = Picofast®, snap and M8x1, metal, male (Q08 snap only)
- V2 = Picofast®, snap and M8x1, male (Q08 only)

Connector/Sensor Transition

- 1 = straight
- 3 = straight with adapter
- 4 = right-angle with adapter

Factory Code

Example:

- 0 = non-standard wiring
- 1 = standard wiring
- 3 = N.C. DC output on pin 4
- 4 = N.O. 2-wire DC output on pin 4

Number of Pins

B. Potted Cable

Bi2-G12-AN6X 7M

Cable Length

- (blank) = 2 meter cable
- 7M = 7 meter cable
- *M = custom cable lengths available

C. Potted Cable with Molded Connector

Bi2-G12-Y0X - 0.2M - RS 4.21T

Cable Length

examples:

- 0.2M = 0.2 meters (minimum)
- 2M = 2 meter cable
- 7M = 7 meter cable

Standard Cordset Connector

- AC: RSM 30 = Minifast, 7/8"-16UN, metal, male, 3-conductor
- SB 3T = Microfast, 1/2"-20UNF, metal, male, 30 conductor
- DC: RS 4T = Eurofast, M12x1, metal or plastic, male, 3-conductor
- RS 4.2T = Eurofast, M12x1, metal or plastic, male, 2-conductor
- RS 4.21T = Eurofast, M12x1, metal or plastic, male, NAMUR, 2-conductor
- RS 4.4T = Eurofast, M12x1, metal or plastic, male, 4-conductor
- RSM 40 = Minifast, 7/8"-16UN, metal, male, 4-conductor
- PSG 3 = Picofast, snap, plastic, male, 3-conductor
- PSG 3M = Picofast, M8x1, male, 3-conductor

Option Codes for Special or Custom-Built Sensors**

Bi 2-S12-AN7X /S100 or Bi10-M30-AN6X-H1141 /F2

examples:

- /S34 = weld field immune
- /S90 = TPU cable
- /S97 = -40 °C (-40 °F) operating temperature
- /S100 = +100 °C (+212 °F) operating temperature
- /S1589 = barrel sensors with Weldguard® laminate
- /S1610 = barrel sensors with tool steel sleeve and Weldguard® laminate

example:

- /F2 = alternate oscillator frequency

We reserve the right to make technical alterations without prior notice.



Inductive Barrel Sensors

Mounting

Turck inductive proximity sensors are manufactured with a shielded coil, designated by “Bi” in the part number, and a nonshielded coil, designated by “Ni” in the part number. Embeddable (shielded) units may be safely flush-mounted in metal. Nonembeddable (nonshielded) units require a metal free area around the sensing face. Because of possible interference of the electromagnetic fields generated by the oscillators, minimum spacing is required between adjacent or opposing sensors.

It is good engineering practice to mount sensors horizontally or with the sensing face looking down. Avoid sensors that look up wherever considered, especially if metal filings and chips are present.

Maximum Locknut Torque Specifications

The locknut torque should be considered for all threaded sensors to prevent the housing from being over stressed. The values below pertain to the locknut provided with each sensor. Liquid thread sealants of an anaerobic base, such as Loctite, are recommended if strong vibrations are likely.

Caution: Sensor barrels are typically brass. Consider break torque when selecting grade of thread sealant.

Barrel Size	Metal Barrel	Plastic Barrel
5 mm	5 Nm (3.7 ft-lb)	----
8 mm	5 Nm (3.7 ft-lb)	----
8 mm (M08 Ferrite)	7 Nm (5.2 ft-lb)	----
12 mm	10 Nm (7.4 ft-lb)	1 Nm (0.7 ft-lb)
18 mm	25 Nm (18 ft-lb)	2 Nm (1.4 ft-lb)
30 mm	75 Nm (55 ft-lb)	5 Nm (3.7 ft-lb)
47 mm	90 Nm (66 ft-lb)	----

Drill Hole Sizes for Metric Threads

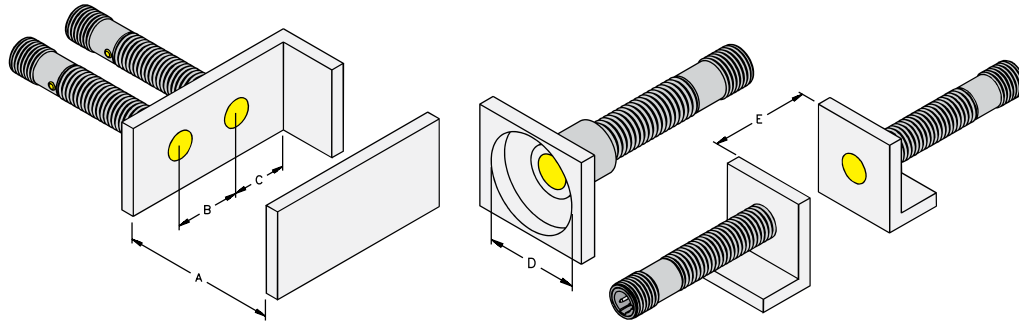
Thread Size	Pitch	Thru Hole (mm)	Tap Hole Dia. (mm)	Thru Hole (in)	Tap Hole Dia. (in)
M5 x 0.5	0.5	5.0	4.5	13/64	5/32
M8 x 1	1.0	8.0	7	21/64	1/4
M12 x 1	1.0	12.0	11	31/64	13/32
M18 x 1	1.0	18.0	17	23/32	41/64
M30 x 1.5	1.5	30.0	28	1-3/16	1-5/64
PG 9	1.41	15.2	14	5/8	1/2
PG 13.5	1.41	20.4	19	13/16	23/32
PG 36	1.59	47.0	45.5	1-7/8	1-47/64

We reserve the right to make technical alterations without prior notice.

Inductive Barrel Sensors

Inductive Barrel Sensors

Embeddable Mounting Considerations



Flush Mountable

Sensor Type	Barrel Diameter	A	B	C	D	E
Bi1	3.00	3.00	6.00	4.50	9.00	9.00
Bi1U	4.00	3.00	8.00	6.00	12.00	6.00
Bi1	4.00	3.00	8.00	6.00	12.00	6.00
Bi1	5.00	3.00	10.00	8.00	15.00	6.00
Bi1U	5.00	3.00	10.00	7.50	15.00	6.00
Bi1.5U	6.50	5.00	13.00	10.00	20.00	9.00
Bi1.5	6.50	5.00	13.00	10.00	20.00	9.00
Bi2	6.50	6.00	13.00	10.00	20.00	12.00
Bi1.5U	8.00	5.00	16.00	12.00	24.00	9.00
Bi1.5	8.00	5.00	16.00	12.00	24.00	9.00
Bi2	8.00	6.00	16.00	12.00	24.00	12.00
Bi2U	8.00	6.00	16.00	12.00	24.00	12.00
Bi3U	8.00	9.00	16.00	12.00	24.00	18.00
Bi2	11.00	6.00	22.00	17.00	33.00	12.00
Bi2	12.00	6.00	24.00	18.00	36.00	12.00
Bi3U	12.00	9.00	24.00	18.00	36.00	18.00
Bi3	12.00	9.00	24.00	18.00	36.00	18.00
Bi4	12.00	12.00	24.00	18.00	36.00	24.00
Bi4U	12.00	12.00	24.00	18.00	36.00	24.00
Bi6U	12.00	18.00	24.00	18.00	36.00	36.00
Bi5U	18.00	15.00	36.00	27.00	54.00	30.00
Bi5	18.00	15.00	36.00	27.00	54.00	30.00
Bi7	18.00	21.00	36.00	27.00	54.00	42.00
Bi8U	18.00	24.00	36.00	27.00	54.00	48.00
Bi8	18.00	24.00	36.00	27.00	54.00	48.00
Bi10U	18.00	30.00	36.00	27.00	54.00	60.00
Bi10U	30.00	27.00	60.00	45.00	90.00	54.00
Bi10	30.00	30.00	60.00	45.00	90.00	60.00
Bi12	30.00	36.00	60.00	45.00	90.00	72.00
Bi15	30.00	45.00	60.00	45.00	90.00	90.00
Bi15U	30.00	45.00	60.00	45.00	90.00	90.00
Bi 20U	30.00	60.00	60.00	45.00	90.00	120.00
Bi 20	47.00	60.00	94.00	71.00	141.00	120.00
Bi 25	47.00	75.00	94.00	71.00	141.00	150.00

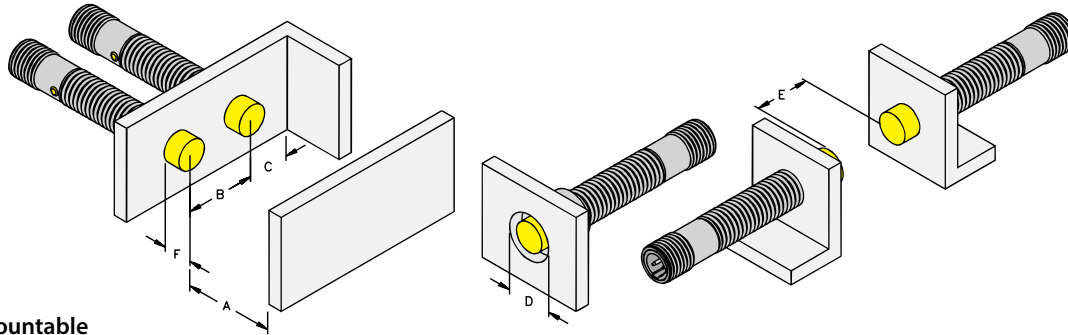
Dimensions are in mm.

We reserve the right to make technical alterations without prior notice.



Inductive Barrel Sensors

Nonembeddable Mounting Characteristics

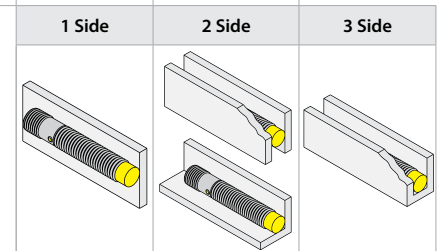


Non-Flush Mountable

Sensor Type	Barrel Diameter	A	B	C	D	E	F	1 Side	2 Side	3 Side
Ni3	6.50	9.00	20.00	10.00	20.00	18.00	6.00			
Ni3	8.00	9.00	24.00	12.00	24.00	18.00	6.00			
Ni4U	8.00	12.00	32.00	12.00	32.00	24.00	8.00			
Ni4	8.00	12.00	24.00	12.00	24.00	24.00	8.00			
Ni6U	8.00	18.00	32.00	12.00	36.00	36.00	12.00			
Ni5	11.00	15.00	33.00	17.00	33.00	30.00	10.00			
Ni4	12.00	12.00	36.00	18.00	36.00	24.00	8.00			
Ni5	12.00	15.00	36.00	18.00	36.00	30.00	10.00			
Ni8U	12.00	24.00	48.00	18.00	45.00	48.00	16.00	Sr=6 mm*		
Ni8	12.00	24.00	36.00	18.00	36.00	48.00	16.00			
Ni10U	12.00	30.00	48.00	18.00	36.00	60.00	20.00			
Ni8	18.00	24.00	54.00	27.00	54.00	48.00	16.00			
Ni10	18.00	30.00	54.00	27.00	54.00	60.00	20.00			
Ni12U	18.00	36.00	70.00	27.00	54.00	72.00	24.00			
Ni14	18.00	42.00	54.00	27.00	54.00	84.00	20.00			
Ni15U	18.00	45.00	70.00	27.00	54.00	90.00	30.00			
Ni10	20.00	30.00	60.00	30.00	60.00	60.00	20.00			
Ni15	30.00	45.00	90.00	45.00	90.00	90.00	20.00			
Ni20U	30.00	60.00	90.00	45.00	90.00	120.00	40.00	Sr=15 mm*	Sr=12 mm*	Sr=11 mm*
Ni20	30.00	60.00	90.00	45.00	90.00	120.00	20.00			
Ni30U	30.00	135.00	90.00	45.00	90.00	180.00	60.00			
Ni20	40.00	60.00	120.00	60.00	120.00	120.00	40.00			
Ni30	40.00	90.00	120.00	60.00	120.00	180.00	40.00			
Ni25	47.00	75.00	141.00	71.00	141.00	150.00	40.00			
Ni40	47.00	120.00	141.00	71.00	141.00	240.00	40.00			

Dimensions are in mm.

* The above Uprox Ni sensors with DC outputs and Stainless barrels can be flush mounted because the sensor automatically compensates for metal alongside its sensing face by decreasing the sensing range, preventing the output from locking on.


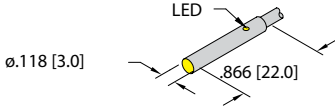
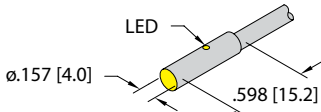
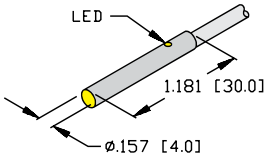
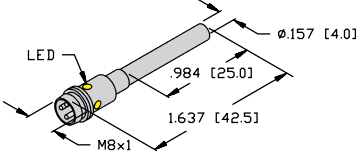


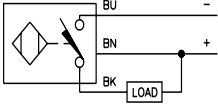
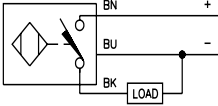
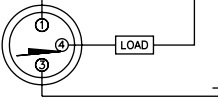
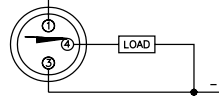
We reserve the right to make technical alterations without prior notice.

Inductive Barrel Sensors

Inductive Barrel Sensors | 3 mm, 4 mm

Embeddable Smooth Metal Barrels with DC Outputs

Housing Style	Dimension Drawings	
	<p>A</p>  <p>3 mm - Embeddable, Miniature Smooth Barrel, Potted-In Cable</p>	<p>B</p>  <p>4 mm - Embeddable, Miniature Smooth Barrel, Potted-In Cable</p>
<p>C</p>  <p>4 mm - Embeddable, Miniature Smooth Barrel, Potted-In Cable</p>	<p>D</p>  <p>4 mm - Embeddable, Miniature Smooth, M8 Picofast Quick Disconnect</p>	

Wiring Diagrams/Mating Cordsets			
<p>1</p> 	<p>2</p> 	<p>3</p>  <p>Mating Cordset: PKG 3M-*</p>	<p>4</p>  <p>Mating Cordset: PKG 3M-*</p>

A4 3 and 4-wire DC - (AN, RN, AP, RP, VN, VP)	
<p>Ripple: ≤10%</p> <p>Differential Travel (Hysteresis): 3-15% (5% typical)</p> <p>Voltage Drop Across Conducting Sensor: ≤1.8 V</p> <p>Trigger Current for Short Circuit Protection: ≥220 mA on 200 mA Load Current ≥170 mA on 150 mA Load Current ≥120 mA on 100 mA Load Current</p> <p>Off-State (Leakage) Current: ≤0.1 mA</p> <p>No-Load Current: ≤15 mA (Ferrite, Uprox) ≤20 mA (Uprox+, Uprox3)</p>	<p>Time Delay Before Availability: ≤8 ms</p> <p>Power-On Effect: Per IEC 947-5-2</p> <p>Reverse Polarity Protection: Incorporated</p> <p>Wire-Break Protection: Incorporated</p> <p>Transient Protection: Per EN 60947-5-2</p> <p>Temperature Drift: ≤±10%</p> <p>Shock: 30 g, 11 ms</p> <p>Vibration: 55 Hz, 1 mm Amplitude in all 3 Planes</p> <p>Repeatability: ≤2% of Rated Operating Distance</p>

We reserve the right to make technical alterations without prior notice.



Inductive Barrel Sensors | 3 mm, 4 mm

Embeddable Smooth Metal Barrels with DC Outputs

Part Number/ ID Number	Features	Sensing Range (mm)	Output	Voltage	Switching Freq. (Hz)	Operating Current (mA)	Operating Temp. (°C)	Protection	Housing	Face	Power LED	Output LED	Cable Length/Jacket	Dimension Drawings	Wiring Diagrams	Spec List
Bi1U-EH04-AN6X 4602114	Uprox3	1	3-wire DC NPN	10-30 VDC	2000	≤100	-25 to +70	IP67	SS	PA 12	N/A	YE	2M/TPU	C	1	A4
Bi1U-EH04-AP6X 4602112	Uprox3	1	3-wire DC PNP	10-30 VDC	2000	≤100	-25 to +70	IP67	SS	PA 12	N/A	YE	2M/TPU	C	2	A4
Bi1-EH04-AN6X 4609640		1	3-wire DC NPN	10-30 VDC	3000	≤100	-25 to +70	IP67	SS	PA 12	N/A	YE	2M/TPU	C	1	A4
Bi1-EH04-AP6X 4609540		1	3-wire DC PNP	10-30 VDC	3000	≤100	-25 to +70	IP67	SS	PA 12	N/A	YE	2M/TPU	C	2	A4
Bi1-EH04K-AN6X 4609768	Short Barrel	1	3-wire DC NPN	10-30 VDC	3000	≤100	-25 to +70	IP67	SS	PA 12	N/A	YE	2M/TPU	B	1	A4
Bi1-EH04K-AP6X 4609767	Short Barrel	1	3-wire DC PNP	10-30 VDC	3000	≤100	-25 to +70	IP67	SS	PA 12	N/A	YE	2M/TPU	B	2	A4
Bi1-EH03-AN6X 1619326		1	3-wire DC NPN	10-30 VDC	3000	≤100	-25 to +70	IP67	SS	PA 12	N/A	YE	2M/TPU	A	1	A4
Bi1-EH03-AP6X 1619325		1	3-wire DC PNP	10-30 VDC	3000	≤100	-25 to +70	IP67	SS	PA 12	N/A	YE	2M/TPU	A	2	A4
Bi1U-EH04-AN6X-V1331 4602115	Uprox3	1	3-wire DC NPN	10-30 VDC	2000	≤100	-25 to +70	IP67	SS	PA 12	N/A	YE	--	D	3	A4
Bi1U-EH04-AP6X-V1331 4602113	Uprox3	1	3-wire DC PNP	10-30 VDC	2000	≤100	-25 to +70	IP67	SS	PA 12	N/A	YE	--	D	4	A4
Bi1-EH04-AN6X-V1331 4608540		1	3-wire DC NPN	10-30 VDC	3000	≤100	-25 to +70	IP67	SS	PA 12	N/A	YE	--	D	3	A4
Bi1-EH04-AP6X-V1331 4608440		1	3-wire DC PNP	10-30 VDC	3000	≤100	-25 to +70	IP67	SS	PA 12	N/A	YE	--	D	4	A4


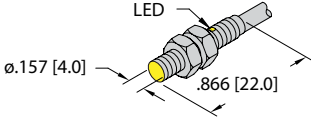
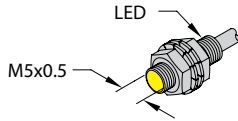
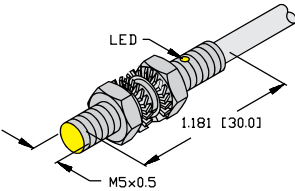
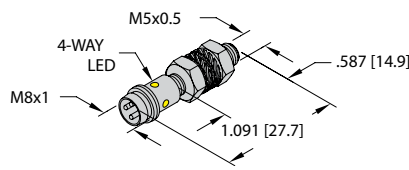
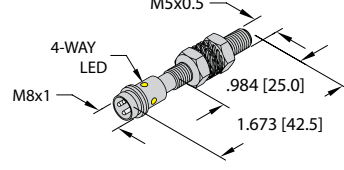
We reserve the right to make technical alterations without prior notice.

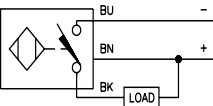
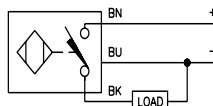
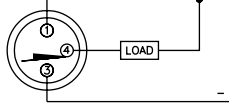
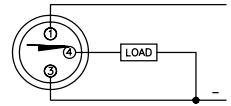
Inductive Barrel Sensors



Inductive Barrel Sensors | 4 mm, 5 mm

Embeddable Threaded Metal Barrels with DC Outputs

Housing Style	Dimension Drawings	
	<p>A</p>  <p>4 mm - Embeddable, Miniature Threaded Barrel, Potted-In Cable</p>	<p>B</p>  <p>5 mm - Embeddable, Miniature Threaded Barrel, Potted-In Cable</p>
<p>C</p>  <p>5 mm - Embeddable, Miniature Threaded Barrel, Potted-In Cable</p>	<p>D</p>  <p>5 mm - Embeddable, Miniature Threaded, M8 Picofast Quick Disconnect</p>	<p>E</p>  <p>5 mm - Embeddable, Miniature Threaded, M8 Picofast Quick Disconnect</p>

Wiring Diagrams/Mating Cordsets			
<p>1</p> 	<p>2</p> 	<p>3</p>  <p>Mating Cordset: PKG 3M-*</p>	<p>4</p>  <p>Mating Cordset: PKG 3M-*</p>

A4 3 and 4-wire DC - (AN, RN, AP, RP, VN, VP)	
<p>Ripple: $\leq 10\%$</p> <p>Differential Travel (Hysteresis): 3-15% (5% typical)</p> <p>Voltage Drop Across Conducting Sensor: $\leq 1.8\text{ V}$</p> <p>Trigger Current for Short Circuit Protection: $\geq 220\text{ mA}$ on 200 mA Load Current $\geq 170\text{ mA}$ on 150 mA Load Current $\geq 120\text{ mA}$ on 100 mA Load Current</p> <p>Off-State (Leakage) Current: $\leq 0.1\text{ mA}$</p> <p>No-Load Current: $\leq 15\text{ mA}$ (Ferrite, Uprox) $\leq 20\text{ mA}$ (Uprox+, Uprox3)</p>	<p>Time Delay Before Availability: $\leq 8\text{ ms}$</p> <p>Power-On Effect: Per IEC 947-5-2</p> <p>Reverse Polarity Protection: Incorporated</p> <p>Wire-Break Protection: Incorporated</p> <p>Transient Protection: Per EN 60947-5-2</p> <p>Temperature Drift: $\leq \pm 10\%$</p> <p>Shock: 30 g, 11 ms</p> <p>Vibration: 55 Hz, 1 mm Amplitude in all 3 Planes</p> <p>Repeatability: $\leq 2\%$ of Rated Operating Distance</p>

We reserve the right to make technical alterations without prior notice.



Inductive Barrel Sensors | 4 mm, 5 mm

Embeddable Threaded Metal Barrels with DC Outputs


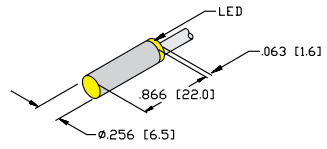
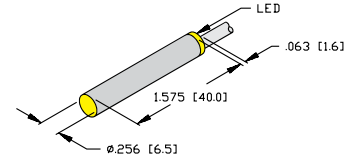
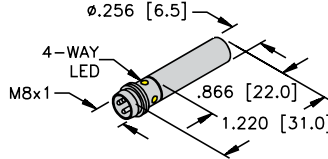
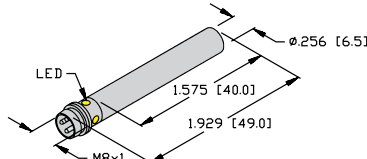
Part Number/ ID Number	Features	Sensing Range (mm)	Output	Voltage	Switching Freq. (Hz)	Operating Current (mA)	Operating Temp. (°C)	Protection	Housing	Face	Power LED	Output LED	Cable Length/Jacket	Dimension Drawings	Wiring Diagrams	Spec List
Bi1U-EG05-AN6X 4602118	Uprox3	1	3-wire DC NPN	10-30 VDC	2000	≤100	-25 to +70	IP67	SS	PA 12	N/A	YE	2M/TPU	C	1	A4
Bi1U-EG05-AP6X 4602116	Uprox3	1	3-wire DC PNP	10-30 VDC	2000	≤100	-25 to +70	IP67	SS	PA 12	N/A	YE	2M/TPU	C	2	A4
Bi1-EG05-AN6X 4609840		1	3-wire DC NPN	10-30 VDC	3000	≤100	-25 to +70	IP67	SS	PA 12	N/A	YE	2M/TPU	C	1	A4
Bi1-EG05-AP6X 4609740		1	3-wire DC PNP	10-30 VDC	3000	≤100	-25 to +70	IP67	SS	PA 12	N/A	YE	2M/TPU	C	2	A4
Bi1-EG05K-AN6X 4609764	Short Barrel	1	3-wire DC NPN	10-30 VDC	2000	≤100	-25 to +70	IP67	SS	PA 12	N/A	YE	2M/TPU	B	1	A4
Bi1-EG05K-AP6X 4609765	Short Barrel	1	3-wire DC PNP	10-30 VDC	2000	≤100	-25 to +70	IP67	SS	PA 12	N/A	YE	2M/TPU	B	2	A4
Bi1-EG04-AN6X 1619328		1	3-wire DC NPN	10-30 VDC	3000	≤100	-25 to +70	IP67	SS	PA 12	N/A	YE	2M/TPU	A	1	A4
Bi1-EG04-AP6X 1619327		1	3-wire DC PNP	10-30 VDC	3000	≤100	-25 to +70	IP67	SS	PA 12	N/A	YE	2M/TPU	A	2	A4
Bi1U-EG05-AN6X-V1331 4602119	Uprox3	1	3-wire DC NPN	10-30 VDC	2000	≤100	-25 to +70	IP67	SS	PA 12	N/A	YE	--	E	3	A4
Bi1U-EG05-AP6X-V1331 4602117	Uprox3	1	3-wire DC PNP	10-30 VDC	2000	≤100	-25 to +70	IP67	SS	PA 12	N/A	YE	--	E	4	A4
Bi1-EG05-AN6X-V1331 4608740		1	3-wire DC NPN	10-30 VDC	3000	≤100	-25 to +70	IP67	SS	PA 12	N/A	YE	--	E	3	A4
Bi1-EG05-AP6X-V1331 4608640		1	3-wire DC PNP	10-30 VDC	3000	≤100	-25 to +70	IP67	SS	PA 12	N/A	YE	--	E	4	A4
Bi1-EG05K-AP6X-V1331 4609766	Short Barrel	1	3-wire DC PNP	10-30 VDC	3000	≤100	-25 to +70	IP67	SS	PA 12	N/A	YE	--	D	4	A4

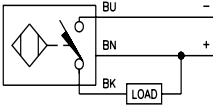
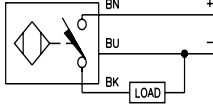
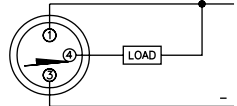
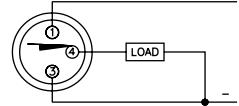
We reserve the right to make technical alterations without prior notice.

Inductive Barrel Sensors

Inductive Barrel Sensors | 6.5 mm

Embeddable Smooth Metal Barrels with DC Outputs

Housing Style	Dimension Drawings	
	<p>A</p>  <p>6.5 mm - Embeddable, Miniature Smooth Barrel, Potted-In Cable</p>	<p>B</p>  <p>6.5 mm - Embeddable, Miniature Smooth Barrel, Potted-In Cable</p>
<p>C</p>  <p>6.5 mm - Embeddable, Miniature Smooth, M8 Picofast Quick Disconnect</p>	<p>D</p>  <p>6.5 mm - Embeddable, Miniature Smooth, M8 Picofast Quick Disconnect</p>	

Wiring Diagrams/Mating Cordsets			
<p>1</p> 	<p>2</p> 	<p>3</p>  <p>Mating Cordset: PKG 3M-*</p>	<p>4</p>  <p>Mating Cordset: PKG 3M-*</p>

A4 3 and 4-wire DC - (AN, RN, AP, RP, VN, VP)	
<p>Ripple: $\leq 10\%$</p> <p>Differential Travel (Hysteresis): 3-15% (5% typical)</p> <p>Voltage Drop Across Conducting Sensor: $\leq 1.8\text{ V}$</p> <p>Trigger Current for Short Circuit Protection:</p> <ul style="list-style-type: none"> $\geq 220\text{ mA}$ on 200 mA Load Current $\geq 170\text{ mA}$ on 150 mA Load Current $\geq 120\text{ mA}$ on 100 mA Load Current <p>Off-State (Leakage) Current: $\leq 0.1\text{ mA}$</p> <p>No-Load Current: $\leq 15\text{ mA}$ (Ferrite, Uprox) $\leq 20\text{ mA}$ (Uprox+, Uprox3)</p>	<p>Time Delay Before Availability: $\leq 8\text{ ms}$</p> <p>Power-On Effect: Per IEC 947-5-2</p> <p>Reverse Polarity Protection: Incorporated</p> <p>Wire-Break Protection: Incorporated</p> <p>Transient Protection: Per EN 60947-5-2</p> <p>Temperature Drift: $\leq \pm 10\%$</p> <p>Shock: 30 g, 11 ms</p> <p>Vibration: 55 Hz, 1 mm Amplitude in all 3 Planes</p> <p>Repeatability: $\leq 2\%$ of Rated Operating Distance</p>

We reserve the right to make technical alterations without prior notice.



Inductive Barrel Sensors | 6.5 mm

Embeddable Smooth Metal Barrels with DC Outputs


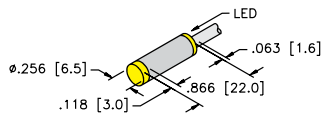
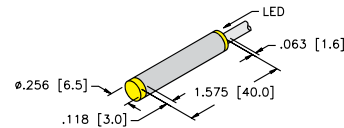
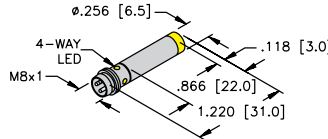
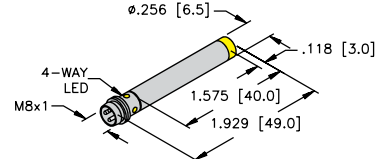
We reserve the right to make technical alterations without prior notice.

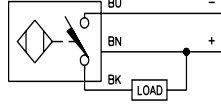
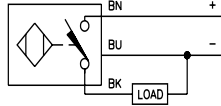
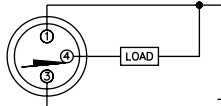
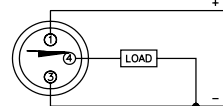
Part Number/ ID Number	Features	Sensing Range (mm)	Output	Voltage	Switching Freq. (Hz)	Operating Current (mA)	Operating Temp. (°C)	Protection	Housing	Face	Power LED	Output LED	Cable Length/Jacket	Dimension Drawings	Wiring Diagrams	Spec List
Bi2U-EH6.5-AN6X 4281170	Uprox	2	3-wire DC NPN	10-30 VDC	2000	≤150	-30 to +85	IP68	SS	PA 12	N/A	YE	2M/ TPU	B	1	A4
Bi2U-EH6.5-AP6X 4281150	Uprox	2	3-wire DC PNP	10-30 VDC	2000	≤150	-30 to +85	IP68	SS	PA 12	N/A	YE	2M/ TPU	B	2	A4
Bi2-EH6.5-AN6X 4612300		2	3-wire DC NPN	10-30 VDC	3000	≤150	-25 to +70	IP67	SS	PA 12	N/A	YE	2M/ TPU	B	1	A4
Bi2-EH6.5-AP6X 4612200		2	3-wire DC PNP	10-30 VDC	1000	≤150	-25 to +70	IP67	SS	PA 12	N/A	YE	2M/ TPU	B	2	A4
Bi2-EH6.5K-AN6X 4610100	Short Barrel	2	3-wire DC NPN	10-30 VDC	3000	≤150	-25 to +70	IP67	SS	PA 12	N/A	YE	2M/ TPU	A	1	A4
Bi2-EH6.5K-AP6X 4610000	Short Barrel	2	3-wire DC PNP	10-30 VDC	3000	≤150	-25 to +70	IP67	SS	PA 12	N/A	YE	2M/ TPU	A	2	A4
Bi1.5-EH6.5-AN6X 4612100		1.5	3-wire DC NPN	10-30 VDC	3000	≤150	-25 to +70	IP67	SS	PA 12	N/A	YE	2M/ TPU	B	1	A4
Bi1.5-EH6.5-AP6X 4612000		1.5	3-wire DC PNP	10-30 VDC	3000	≤150	-25 to +70	IP67	SS	PA 12	N/A	YE	2M/ TPU	B	2	A4
Bi1.5-EH6.5-AP6X/S100 4612001	High Temp. 100 °C	1.5	3-wire DC PNP	10-30 VDC	3000	≤150	-25 to +100	IP67	SS	PA 12	N/A	YE	2M/ TPU	B	2	A4
Bi1.5-EH6.5K-AN6X 4610640	Short Barrel	1.5	3-wire DC NPN	10-30 VDC	3000	≤150	-25 to +70	IP67	SS	PA 12	N/A	YE	2M/ TPU	A	1	A4
Bi1.5-EH6.5K-AP6X 4610540	Short Barrel	1.5	3-wire DC PNP	10-30 VDC	3000	≤150	-25 to +70	IP67	SS	PA 12	N/A	YE	2M/ TPU	A	2	A4
Bi2U-EH6.5-AN6X-V1131 4281180	Uprox	2	3-wire DC NPN	10-30 VDC	1000	≤150	-25 to +70	IP68	SS	PA 12	N/A	YE	--	D	3	A4
Bi2U-EH6.5-AP6X-V1131 4281160	Uprox	2	3-wire DC PNP	10-30 VDC	1000	≤150	-25 to +70	IP68	SS	PA 12	N/A	YE	--	D	4	A4
Bi2-EH6.5-AN6X-V1131 4612320		2	3-wire DC NPN	10-30 VDC	3000	≤150	-25 to +70	IP67	SS	PA 12	N/A	YE	--	D	3	A4
Bi2-EH6.5-AP6X-V1131 4612220		2	3-wire DC PNP	10-30 VDC	3000	≤150	-25 to +70	IP67	SS	PA 12	N/A	YE	--	D	4	A4
Bi2-EH6.5K-AN6X-V1131 4610120	Short Barrel	2	3-wire DC NPN	10-30 VDC	3000	≤150	-25 to +70	IP67	SS	PA 12	N/A	YE	--	C	3	A4
Bi2-EH6.5K-AP6X-V1131 4610020	Short Barrel	2	3-wire DC PNP	10-30 VDC	3000	≤150	-25 to +70	IP67	SS	PA 12	N/A	YE	--	C	4	A4
Bi1.5-EH6.5-AN6X-V1131 4612120		1.5	3-wire DC NPN	10-30 VDC	3000	≤150	-25 to +70	IP67	SS	PA 12	N/A	YE	--	D	3	A4
Bi1.5-EH6.5-AP6X-V1131 4612020		1.5	3-wire DC PNP	10-30 VDC	3000	≤150	-25 to +70	IP67	SS	PA 12	N/A	YE	--	D	4	A4
Bi1.5-EH6.5K-AN6X-V1131 4610840	Short Barrel	1.5	3-wire DC NPN	10-30 VDC	3000	≤150	-25 to +70	IP67	SS	PA 12	N/A	YE	--	C	3	A4
Bi1.5-EH6.5K-AP6X-V1131 4610740	Short Barrel	1.5	3-wire DC PNP	10-30 VDC	3000	≤150	-25 to +70	IP67	SS	PA 12	N/A	YE	--	C	4	A4

Inductive Barrel Sensors

Inductive Barrel Sensors | 6.5 mm

Nonembeddable Smooth Metal Barrels with DC Outputs

Housing Style	Dimension Drawings	
	<p>A</p>  <p>6.5 mm - Nonembeddable, Miniature Smooth Barrel, Potted-In Cable</p>	<p>B</p>  <p>6.5 mm - Nonembeddable, Miniature Smooth Barrel, Potted-In Cable</p>
<p>C</p>  <p>6.5 mm - Nonembeddable, Miniature Smooth, M8 Picofast Quick Disconnect</p>	<p>D</p>  <p>6.5 mm - Nonembeddable, Miniature Smooth, M8 Picofast Quick Disconnect</p>	

Wiring Diagrams/Mating Cordsets			
<p>1</p> 	<p>2</p> 	<p>3</p>  <p>Mating Cordset: PKG 3M-*</p>	<p>4</p>  <p>Mating Cordset: PKG 3M-*</p>

A4 3 and 4-wire DC - (AN, RN, AP, RP, VN, VP)			
<p>Ripple: $\leq 10\%$</p> <p>Differential Travel (Hysteresis): 3-15% (5% typical)</p> <p>Voltage Drop Across Conducting Sensor: $\leq 1.8\text{ V}$</p> <p>Trigger Current for Short Circuit Protection:</p> <ul style="list-style-type: none"> $\geq 220\text{ mA}$ on 200 mA Load Current $\geq 170\text{ mA}$ on 150 mA Load Current $\geq 120\text{ mA}$ on 100 mA Load Current <p>Off-State (Leakage) Current: $\leq 0.1\text{ mA}$</p> <p>No-Load Current: $\leq 15\text{ mA}$ (Ferrite, Uprox)</p> <p>$\leq 20\text{ mA}$ (Uprox+, Uprox3)</p>		<p>Time Delay Before Availability: $\leq 8\text{ ms}$</p> <p>Power-On Effect: Per IEC 947-5-2</p> <p>Reverse Polarity Protection: Incorporated</p> <p>Wire-Break Protection: Incorporated</p> <p>Transient Protection: Per EN 60947-5-2</p> <p>Temperature Drift: $\leq \pm 10\%$</p> <p>Shock: 30 g, 11 ms</p> <p>Vibration: 55 Hz, 1 mm Amplitude in all 3 Planes</p> <p>Repeatability: $\leq 2\%$ of Rated Operating Distance</p>	

We reserve the right to make technical alterations without prior notice.



Inductive Barrel Sensors | 6.5 mm

Nonembeddable Smooth Metal Barrels with DC Outputs


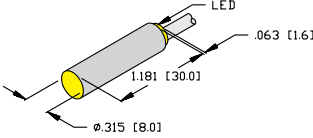
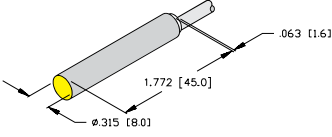
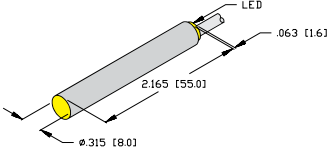
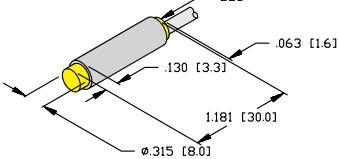
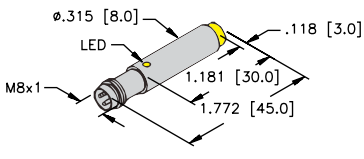
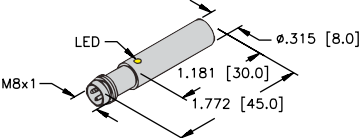
Part Number/ ID Number	Features	Sensing Range (mm)	Output	Voltage	Switching Freq. (Hz)	Operating Current (mA)	Operating Temp. (°C)	Protection	Housing	Face	Power LED	Output LED	Cable Length/Jacket	Dimension Drawings	Wiring Diagrams	Spec List
Ni4U-EH6.5-AP6X 4600680	Uprox	4	3-wire DC PNP	10-30 VDC	3000	≤150	-30 to +85	IP68	SS	PA 12	N/A	YE	2M/TPU	B	2	A4
Ni3-EH6.5-AN6X 4612500		3	3-wire DC NPN	10-30 VDC	3000	≤150	-25 to +70	IP67	SS	PA 12	N/A	YE	2M/TPU	B	1	A4
Ni3-EH6.5-AP6X 4612400		3	3-wire DC PNP	10-30 VDC	3000	≤150	-25 to +70	IP67	SS	PA 12	N/A	YE	2M/TPU	B	2	A4
Ni3-EH6.5K-AN6X 4610300	Short Barrel	3	3-wire DC NPN	10-30 VDC	3000	≤150	-25 to +70	IP67	SS	PA 12	N/A	YE	2M/TPU	A	1	A4
Ni3-EH6.5K-AP6X 4610200	Short Barrel	3	3-wire DC PNP	10-30 VDC	3000	≤150	-25 to +70	IP67	SS	PA 12	N/A	YE	2M/TPU	A	2	A4
Ni6U-EH6.5-AP6X-V1131 4631510	Uprox+	6	3-wire DC PNP	10-30 VDC	1000	≤150	0 to +70	IP68	SS	PA 12	N/A	YE	--	D	4	A4
Ni4U-EH6.5-AN6X-V1131 4600683	Uprox	4	3-wire DC NPN	10-30 VDC	2000	≤150	-30 to +85	IP68	SS	PA 12	N/A	YE	--	D	3	A4
Ni4U-EH6.5-AP6X-V1131 4600681	Uprox	4	3-wire DC PNP	10-30 VDC	2000	≤150	-30 to +85	IP68	SS	PA 12	N/A	YE	--	D	4	A4
Ni3-EH6.5-AN6X-V1131 4612520		3	3-wire DC NPN	10-30 VDC	3000	≤150	-25 to +70	IP67	SS	PA 12	N/A	YE	--	D	3	A4
Ni3-EH6.5-AP6X-V1131 4612420		3	3-wire DC PNP	10-30 VDC	3000	≤150	-25 to +70	IP67	SS	PA 12	N/A	YE	--	D	4	A4
Ni3-EH6.5K-AN6X-V1131 4610320	Short Barrel	3	3-wire DC NPN	10-30 VDC	3000	≤150	-25 to +70	IP67	SS	PA 12	N/A	YE	--	C	3	A4
Ni3-EH6.5K-AP6X-V1131 4610220	Short Barrel	3	3-wire DC PNP	10-30 VDC	3000	≤150	-25 to +70	IP67	SS	PA 12	N/A	YE	--	C	4	A4

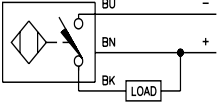
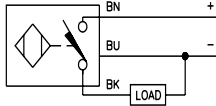
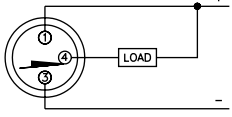
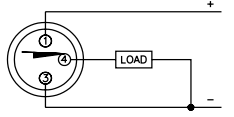
We reserve the right to make technical alterations without prior notice.

Inductive Barrel Sensors

Inductive Barrel Sensors | 8 mm

Embeddable and Nonembeddable Smooth Metal Barrels with DC Outputs

Housing Style	Dimension Drawings	
	<p>A</p>  <p>8 mm - Embeddable, Miniature Smooth Barrel, Potted-In Cable</p>	<p>B</p>  <p>8 mm - Embeddable, Miniature Smooth Barrel, Potted-In Cable</p>
<p>C</p>  <p>8 mm - Embeddable, Miniature Smooth Barrel, Potted-In Cable</p>	<p>D</p>  <p>8 mm - Nonembeddable, Miniature Smooth Barrel, Potted-In Cable</p>	<p>E</p>  <p>8 mm - Nonembeddable, Miniature Smooth, M8 Picofast Quick Disconnect</p>
<p>F</p>  <p>8 mm - Embeddable, Miniature Smooth, M8 Picofast Quick Disconnect</p>		

Wiring Diagrams/Mating Cordsets			
<p>1</p> 	<p>2</p> 	<p>3</p>  <p>Mating Cordset: PKG 3M-*</p>	<p>4</p>  <p>Mating Cordset: PKG 3M-*</p>

A4 3 and 4-wire DC - (AN, RN, AP, RP, VN, VP)	
<p>Ripple: $\leq 10\%$</p> <p>Differential Travel (Hysteresis): 3-15% (5% typical)</p> <p>Voltage Drop Across Conducting Sensor: $\leq 1.8\text{ V}$</p> <p>Trigger Current for Short Circuit Protection: $\geq 220\text{ mA}$ on 200 mA Load Current $\geq 170\text{ mA}$ on 150 mA Load Current $\geq 120\text{ mA}$ on 100 mA Load Current</p> <p>Off-State (Leakage) Current: $\leq 0.1\text{ mA}$</p> <p>No-Load Current: $\leq 15\text{ mA}$ (Ferrite, Uprox) $\leq 20\text{ mA}$ (Uprox+, Uprox3)</p>	<p>Time Delay Before Availability: $\leq 8\text{ ms}$</p> <p>Power-On Effect: Per IEC 947-5-2</p> <p>Reverse Polarity Protection: Incorporated</p> <p>Wire-Break Protection: Incorporated</p> <p>Transient Protection: Per EN 60947-5-2</p> <p>Temperature Drift: $\leq \pm 10\%$</p> <p>Shock: 30 g, 11 ms</p> <p>Vibration: 55 Hz, 1 mm Amplitude in all 3 Planes</p> <p>Repeatability: $\leq 2\%$ of Rated Operating Distance</p>

We reserve the right to make technical alterations without prior notice.



Inductive Barrel Sensors | 8 mm

Embeddable and Nonembeddable Smooth Metal Barrels with DC Outputs

Part Number/ ID Number	Features	Sensing Range (mm)	Output	Voltage	Switching Freq. (Hz)	Operating Current (mA)	Operating Temp. (°C)	Protection	Housing	Face	Power LED	Output LED	Cable Length/Jacket	Dimension Drawings	Wiring Diagrams	Spec List
Bi1.5-H08K-AN6X 1604341	Short Barrel	1.5	3-wire DC NPN	10-30 VDC	3000	≤150	-25 to +70	IP67	SS	PA 12	N/A	YE	2M/TPU	A	1	A4
Bi1.5-H08K-AP6X 1604331	Short Barrel	1.5	3-wire DC PNP	10-30 VDC	3000	≤150	-25 to +70	IP67	SS	PA 12	N/A	YE	2M/TPU	A	2	A4
Bi1.5-H08M-AP6X 1604301		1.5	3-wire DC PNP	10-30 VDC	2000	≤150	-25 to +70	IP67	SS	PA 12	N/A	YE	2M/TPU	B	2	A4
Bi1.5-H08-AN6X 16143		1.5	3-wire DC NPN	10-30 VDC	2000	≤150	-25 to +70	IP67	SS	PA 12	N/A	YE	2M/TPU	C	1	A4
Bi1.5-H08-AP6X 16043		1.5	3-wire DC PNP	10-30 VDC	2000	≤150	-25 to +70	IP67	SS	PA 12	N/A	YE	2M/TPU	C	2	A4
Ni2-H08K-AN6X 16147	Short Barrel	2	3-wire DC NPN	10-30 VDC	3000	≤150	-25 to +70	IP67	SS	PA 12	N/A	YE	2M/TPU	D	1	A4
Ni2-H08K-AP6X 16047	Short Barrel	2	3-wire DC PNP	10-30 VDC	3000	≤150	-25 to +70	IP67	SS	PA 12	N/A	YE	2M/TPU	D	2	A4
Bi1.5-H08K-AN6X-V1131 1604340	Short Barrel	1.5	3-wire DC NPN	10-30 VDC	5000	≤150	-25 to +70	IP67	SS	PBT	N/A	YE	--	F	3	A4
Bi1.5-H08K-AP6X-V1131 1604330	Short Barrel	1.5	3-wire DC PNP	10-30 VDC	5000	≤150	-25 to +70	IP67	SS	PBT	N/A	YE	--	F	4	A4
Ni2-H08K-AN6X-V1131 16148	Short Barrel	2	3-wire DC NPN	10-30 VDC	5000	≤150	-25 to +70	IP67	SS	PA 12	N/A	YE	--	E	3	A4
Ni2-H08K-AP6X-V1131 16048	Short Barrel	2	3-wire DC PNP	10-30 VDC	5000	≤150	-25 to +70	IP67	SS	PA 12	N/A	YE	--	E	4	A4


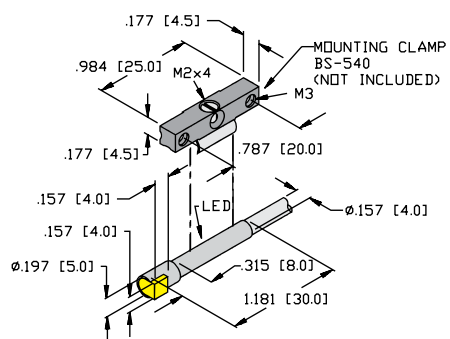
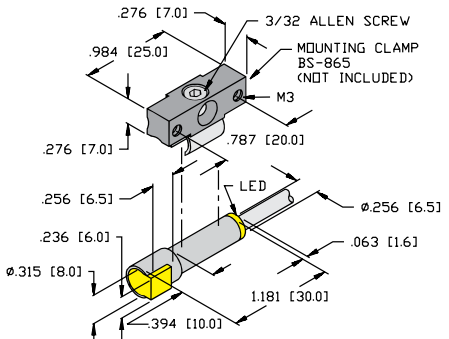
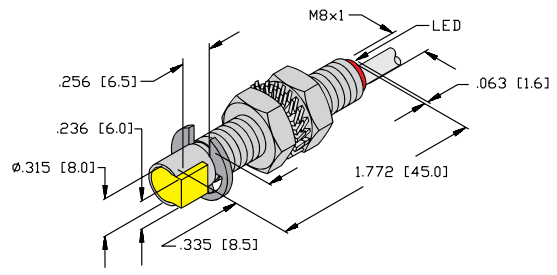
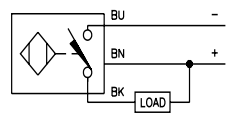
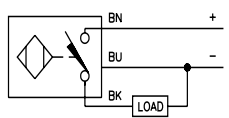
We reserve the right to make technical alterations without prior notice.

Inductive Barrel Sensors



Inductive Barrel Sensors | 5 mm, 8 mm

Embeddable Side Sensing Metal Barrels with Cable and DC Outputs

Housing Style	Dimension Drawings
	<p>A</p>  <p>5 mm - Embeddable, Side Sensing, Miniature Smooth Barrel, Potted-In Cable</p>
<p>B</p>  <p>8 mm - Embeddable, Side Sensing, Miniature Smooth Barrel, Potted-In Cable</p>	<p>C</p>  <p>8 mm - Embeddable, Miniature Threaded Barrel, Side Sensing, Potted-In Cable</p>
Wiring Diagrams/Mating Cordsets	
<p>1</p> 	<p>2</p> 
A4 3 and 4-wire DC - (AN, RN, AP, RP, VN, VP)	
<p>Ripple: $\leq 10\%$</p> <p>Differential Travel (Hysteresis): 3-15% (5% typical)</p> <p>Voltage Drop Across Conducting Sensor: $\leq 1.8\text{ V}$</p> <p>Trigger Current for Short Circuit Protection: $\geq 220\text{ mA}$ on 200 mA Load Current $\geq 170\text{ mA}$ on 150 mA Load Current $\geq 120\text{ mA}$ on 100 mA Load Current</p> <p>Off-State (Leakage) Current: $\leq 0.1\text{ mA}$</p> <p>No-Load Current: $\leq 15\text{ mA}$ (Ferrite, Uprox) $\leq 20\text{ mA}$ (Uprox+, Uprox3)</p>	<p>Time Delay Before Availability: $\leq 8\text{ ms}$</p> <p>Power-On Effect: Per IEC 947-5-2</p> <p>Reverse Polarity Protection: Incorporated</p> <p>Wire-Break Protection: Incorporated</p> <p>Transient Protection: Per EN 60947-5-2</p> <p>Temperature Drift: $\leq \pm 10\%$</p> <p>Shock: 30 g, 11 ms</p> <p>Vibration: 55 Hz, 1 mm Amplitude in all 3 Planes</p> <p>Repeatability: $\leq 2\%$ of Rated Operating Distance</p>

We reserve the right to make technical alterations without prior notice.



Inductive Barrel Sensors | 5 mm, 8 mm

Embeddable Side Sensing Metal Barrels with Cable and DC Outputs

Part Number/ ID Number	Features	Sensing Range (mm)	Output	Voltage	Switching Freq. (Hz)	Operating Current (mA)	Operating Temp. (°C)	Protection	Housing	Face	Power LED	Output LED	Cable Length/Jacket	Dimension Drawings	Wiring Diagrams	Spec List
Bi1.5-HS865-AN6X 4604301	Side Sensing	1.5	3-wire DC NPN	10-30 VDC	3000	≤150	-25 to +70	IP67	SS	PA 12	N/A	YE	2M/TPU	B	1	A4
Bi1.5-HS865-AP6X 4604201	Side Sensing	1.5	3-wire DC PNP	10-30 VDC	3000	≤150	-25 to +70	IP67	SS	PA 12	N/A	YE	2M/TPU	B	2	A4
Bi1.5-GS880-AN6X 4604501	Side Sensing	1.5	3-wire DC NPN	10-30 VDC	3000	≤150	-25 to +70	IP67	SS	PA 12	N/A	YE	2M/TPU	C	1	A4
Bi1.5-GS880-AP6X 4604401	Side Sensing	1.5	3-wire DC PNP	10-30 VDC	3000	≤150	-25 to +70	IP67	SS	PA 12	N/A	YE	2M/TPU	C	2	A4
Bi1-HS540-AN6X 4604101	Side Sensing	1	3-wire DC NPN	10-30 VDC	3000	≤100	-25 to +70	IP67	SS	PA 12	N/A	YE	2M/TPU	A	1	A4
Bi1-HS540-AP6X 4604001	Side Sensing	1	3-wire DC PNP	10-30 VDC	3000	≤100	-25 to +70	IP67	SS	PA 12	N/A	YE	2M/TPU	A	2	A4


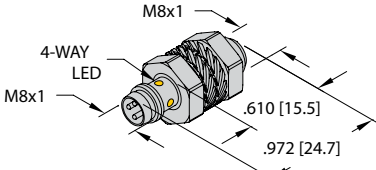
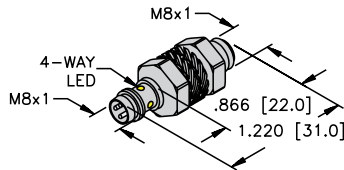
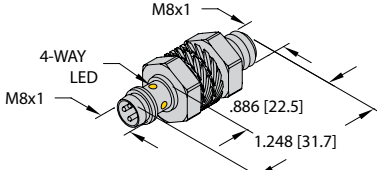
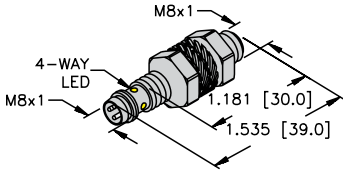
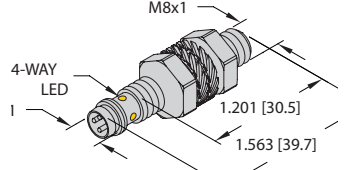
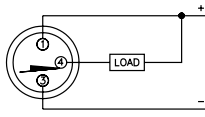
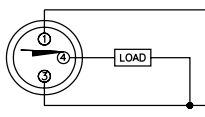
We reserve the right to make technical alterations without prior notice.

Inductive Barrel Sensors



Inductive Barrel Sensors | 8 mm

Embeddable Threaded Metal Barrels with Connector and DC Outputs

Housing Style	Dimension Drawings	
	<p>A</p>  <p>8 mm - Embeddable, Miniature Threaded, M8 Picofast Quick Disconnect</p>	<p>B</p>  <p>8 mm - Embeddable, Miniature Threaded, M8 Picofast Quick Disconnect</p>
<p>C</p>  <p>8 mm - Embeddable, Miniature Threaded, M8 Picofast Quick Disconnect</p>	<p>D</p>  <p>8 mm - Embeddable, Miniature Threaded, M8 Picofast Quick Disconnect</p>	<p>E</p>  <p>8 mm - Embeddable, Miniature Threaded, M8 Picofast Quick Disconnect</p>
Wiring Diagrams/Mating Cordsets		
<p>1</p>  <p>Mating Cordset: PKG 3M-*</p>	<p>2</p>  <p>Mating Cordset: PKG 3M-*</p>	
A4 3 and 4-wire DC - (AN, RN, AP, RP, VN, VP)		
<p>Ripple: $\leq 10\%$</p> <p>Differential Travel (Hysteresis): 3-15% (5% typical)</p> <p>Voltage Drop Across Conducting Sensor: $\leq 1.8\text{ V}$</p> <p>Trigger Current for Short Circuit Protection: $\geq 220\text{ mA}$ on 200 mA Load Current $\geq 170\text{ mA}$ on 150 mA Load Current $\geq 120\text{ mA}$ on 100 mA Load Current</p> <p>Off-State (Leakage) Current: $\leq 0.1\text{ mA}$</p> <p>No-Load Current: $\leq 15\text{ mA}$ (Ferrite, Uprox) $\leq 20\text{ mA}$ (Uprox+, Uprox3)</p>	<p>Time Delay Before Availability: $\leq 8\text{ ms}$</p> <p>Power-On Effect: Per IEC 947-5-2</p> <p>Reverse Polarity Protection: Incorporated</p> <p>Wire-Break Protection: Incorporated</p> <p>Transient Protection: Per EN 60947-5-2</p> <p>Temperature Drift: $\leq \pm 10\%$</p> <p>Shock: 30 g, 11 ms</p> <p>Vibration: 55 Hz, 1 mm Amplitude in all 3 Planes</p> <p>Repeatability: $\leq 2\%$ of Rated Operating Distance</p>	

We reserve the right to make technical alterations without prior notice.



Inductive Barrel Sensors | 8 mm

Embeddable Threaded Metal Barrels with Connector and DC Outputs

Part Number/ ID Number	Features	Sensing Range (mm)	Output	Voltage	Switching Freq. (Hz)	Operating Current (mA)	Operating Temp. (°C)	Protection	Housing	Face	Power LED	Output LED	Dimension Drawings	Wiring Diagrams	Spec List
Bi3U-EM08-AN6X-V1131 4602423	Uprox3	3	3-wire DC NPN	10-30 VDC	1000	≤150	0 to +60	IP68	SS	PA 12	N/A	YE	D	1	A4
Bi3U-EMT08-AN6X-V1131 4602157	Uprox3, PTFE	3	3-wire DC NPN	10-30 VDC	1000	≤150	0 to +60	IP68	SS	TC	N/A	YE	D	1	A4
Bi3U-EM08-AP6X-V1131 4602413	Uprox3	3	3-wire DC PNP	10-30 VDC	1000	≤150	0 to +60	IP68	SS	PA 12	N/A	YE	D	2	A4
Bi3U-EMT08-AP6X-V1131 4602156	Uprox3, PTFE	3	3-wire DC PNP	10-30 VDC	1000	≤150	0 to +60	IP68	SS	TC	N/A	YE	D	2	A4
Bi3-M08-AN6X-V1131 4602914		3	3-wire DC NPN	10-30 VDC	2800	≤150	-25 to +70	IP67	CPB	PP-GF20	N/A	YE	E	1	A4
Bi3-M08-AP6X-V1131 4602911		3	3-wire DC PNP	10-30 VDC	2800	≤150	-25 to +70	IP67	CPB	PP-GF20	N/A	YE	E	2	A4
Bi3-M08KK-AN6X-V1131 4602942	Short Barrel	3	3-wire DC NPN	10-30 VDC	2800	≤150	-25 to +70	IP67	CPB	PP-GF20	N/A	YE	A	1	A4
Bi3-M08KK-AP6X-V1131 4602939	Short Barrel	3	3-wire DC PNP	10-30 VDC	2800	≤150	-25 to +70	IP67	CPB	PP-GF20	N/A	YE	A	2	A4
Bi2-EG08K-AN6X-V1131 4669550		2	3-wire DC NPN	10-30 VDC	3000	≤150	-25 to +70	IP67	SS	PA 12	N/A	YE	D	1	A4
Bi2-EG08K-AP6X-V1131 4669450		2	3-wire DC PNP	10-30 VDC	3000	≤150	-25 to +70	IP67	SS	PA 12	N/A	YE	D	2	A4
Bi2-G08K-AP6X-V1131 4672803		2	3-wire DC PNP	10-30 VDC	3000	≤150	-25 to +70	IP67	SS	PBT	N/A	YE	D	2	A4
Bi2-M08K-AN6X-V1131 4602965		2	3-wire DC NPN	10-30 VDC	2800	≤150	-25 to +70	IP67	CPB	PP-GF20	N/A	YE	C	1	A4
Bi2-M08K-AP6X-V1131 4602968		2	3-wire DC PNP	10-30 VDC	2800	≤150	-25 to +70	IP67	CPB	PP-GF20	N/A	YE	C	2	A4
Bi1.5-EG08K-AN6X-V1131 4672540		1.5	3-wire DC NPN	10-30 VDC	3000	≤150	-25 to +70	IP67	SS	PA 12	N/A	YE	B	1	A4
Bi1.5-EG08K-AP6X-V1131 4672440		1.5	3-wire DC PNP	10-30 VDC	3000	≤150	-25 to +70	IP67	SS	PA 12	N/A	YE	B	2	A4


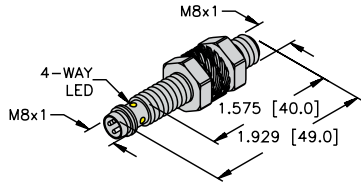
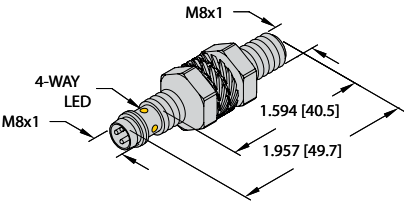
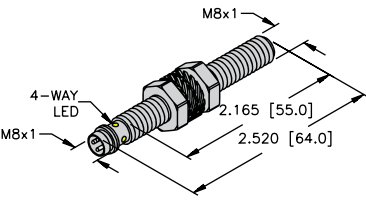
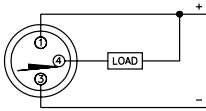
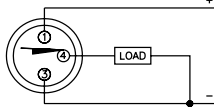
Note: Reference sensor data sheet for considerations if mounting a Bi3-M08 sensor flush in steel.

We reserve the right to make technical alterations without prior notice.

Inductive Barrel Sensors

Inductive Barrel Sensors | 8 mm

Embeddable Threaded Metal Barrels with Connector and DC Outputs

Housing Style	Dimension Drawings
	<p>A</p>  <p>8 mm - Embeddable, Miniature Threaded, M8 Picofast Quick Disconnect</p>
<p>B</p>  <p>8 mm - Embeddable, Miniature Threaded, M8 Picofast Quick Disconnect</p>	<p>C</p>  <p>8 mm - Embeddable, Miniature Threaded, M8 Picofast Quick Disconnect</p>
Wiring Diagrams/Mating Cordsets	
<p>1</p>  <p>Mating Cordset: PKG 3M-*</p>	<p>2</p>  <p>Mating Cordset: PKG 3M-*, PKG 3M-*/S1587</p>
A4 3 and 4-wire DC - (AN, RN, AP, RP, VN, VP)	
<p>Ripple: $\leq 10\%$</p> <p>Differential Travel (Hysteresis): 3-15% (5% typical)</p> <p>Voltage Drop Across Conducting Sensor: $\leq 1.8\text{ V}$</p> <p>Trigger Current for Short Circuit Protection: $\geq 220\text{ mA}$ on 200 mA Load Current $\geq 170\text{ mA}$ on 150 mA Load Current $\geq 120\text{ mA}$ on 100 mA Load Current</p> <p>Off-State (Leakage) Current: $\leq 0.1\text{ mA}$</p> <p>No-Load Current: $\leq 15\text{ mA}$ (Ferrite, Uprox) $\leq 20\text{ mA}$ (Uprox+, Uprox3)</p>	<p>Time Delay Before Availability: $\leq 8\text{ ms}$</p> <p>Power-On Effect: Per IEC 947-5-2</p> <p>Reverse Polarity Protection: Incorporated</p> <p>Wire-Break Protection: Incorporated</p> <p>Transient Protection: Per EN 60947-5-2</p> <p>Temperature Drift: $\leq \pm 10\%$</p> <p>Shock: 30 g, 11 ms</p> <p>Vibration: 55 Hz, 1 mm Amplitude in all 3 Planes</p> <p>Repeatability: $\leq 2\%$ of Rated Operating Distance</p>

We reserve the right to make technical alterations without prior notice.



Inductive Barrel Sensors | 8 mm

Embeddable Threaded Metal Barrels with Connector and DC Outputs


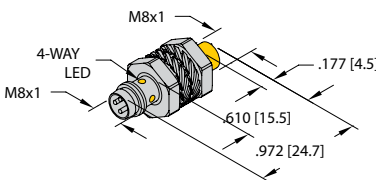
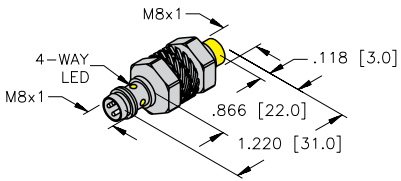
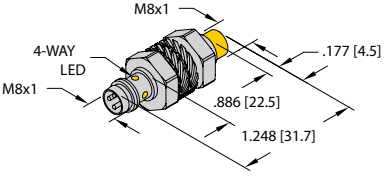
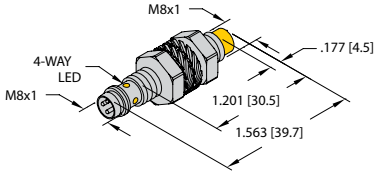
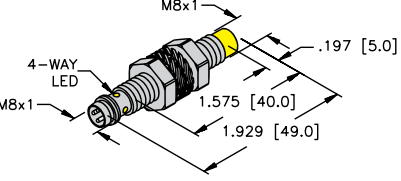
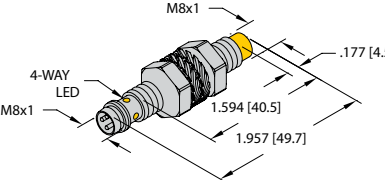
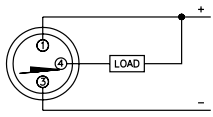
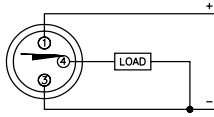
Part Number/ ID Number	Features	Sensing Range (mm)	Output	Voltage	Switching Freq. (Hz)	Operating Current (mA)	Operating Temp. (°C)	Protection	Housing	Face	Power LED	Output LED	Dimension Drawings	Wiring Diagrams	Spec List
Bi2U-EG08-AN6X-V1131 4602036	Uprox	2	3-wire DC NPN	10-30 VDC	1000	≤150	-30 to +85	IP68	SS	PA 12	N/A	YE	C	1	A4
Bi2U-EG08-AP6X-V1131 4602033	Uprox	2	3-wire DC PNP	10-30 VDC	1000	≤150	-30 to +85	IP68	SS	PA 12	N/A	YE	C	2	A4
Bi2-EG08-AN6X-V1131 4602150		2	3-wire DC NPN	10-30 VDC	3000	≤150	-25 to +70	IP67	SS	PA 12	N/A	YE	C	1	A4
Bi2-EG08-AP6X-V1131 4602050		2	3-wire DC PNP	10-30 VDC	3000	≤150	-25 to +70	IP67	SS	PA 12	N/A	YE	C	2	A4
Bi2-EG08-AP6X-V1131/S1589 46020501	Weldguard	2	3-wire DC PNP	10-30 VDC	3000	≤150	-25 to +70	IP67	SS	WG	N/A	YE	C	2	A4
Bi2-EGT08-AP6X-V1131/S100 4602263	PTFE, High Temp. 100 °C	2	3-wire DC PNP	10-30 VDC	3000	≤150	-25 to +100	IP67	SS	TC	N/A	YE	C	2	A4
Bi2-EGT08-AP6X-V1131/S100/S1589 4602072	PTFE, High Temp. 100 °C, Weldguard	2	3-wire DC PNP	10-30 VDC	3000	≤150	-25 to +100	IP67	SS	WG	N/A	YE	C	2	A4
Bi2-G08-AP6X-V1131 4602002		2	3-wire DC PNP	10-30 VDC	3000	≤150	-25 to +70	IP67	SS	PA 12	N/A	YE	C	2	A4
Bi2-M08E-AN6X-V1131 4602953		2	3-wire DC NPN	10-30 VDC	2800	≤150	-25 to +70	IP67	CPB	PP- GF20	N/A	YE	B	1	A4
Bi2-M08E-AP6X-V1131 4602956		2	3-wire DC PNP	10-30 VDC	2800	≤150	-25 to +70	IP67	CPB	PP- GF20	N/A	YE	B	2	A4
Bi1.5U-EG08-AN6X-V1131 4600530	Uprox	1.5	3-wire DC NPN	10-30 VDC	2000	≤150	-30 to +85	IP68	SS	PA 12	N/A	YE	A	1	A4
Bi1.5U-EG08-AP6X-V1131 4600520	Uprox	1.5	3-wire DC PNP	10-30 VDC	2000	≤150	-30 to +85	IP68	SS	PA 12	N/A	YE	A	2	A4
Bi1.5-EG08-AN6X-V1131 4602350		1.5	3-wire DC NPN	10-30 VDC	3000	≤150	-25 to +70	IP67	SS	PA 12	N/A	YE	A	1	A4
Bi1.5-EG08-AP6X-V1131 4602220		1.5	3-wire DC PNP	10-30 VDC	3000	≤150	-25 to +70	IP67	SS	PA 12	N/A	YE	A	2	A4

We reserve the right to make technical alterations without prior notice.

Inductive Barrel Sensors

Inductive Barrel Sensors | 8 mm

Nonembeddable Threaded Metal Barrels with Connector and DC Outputs

Housing Style	Dimension Drawings	
	<p>A</p>  <p>8 mm - Nonembeddable, Miniature Threaded, M8 Picofast Quick Disconnect</p>	<p>B</p>  <p>8 mm - Nonembeddable, Miniature Threaded, M8 Picofast Quick Disconnect</p>
<p>C</p>  <p>8 mm - Nonembeddable, Miniature Threaded, M8 Picofast Quick Disconnect</p>	<p>D</p>  <p>8 mm - Nonembeddable, Miniature Threaded, M8 Picofast Quick Disconnect</p>	<p>E</p>  <p>8 mm - Nonembeddable, Miniature Threaded, M8 Picofast Quick Disconnect</p>
<p>F</p>  <p>8 mm - Nonembeddable, Miniature Threaded, M8 Picofast Quick Disconnect</p>		
Wiring Diagrams/Mating Cordsets		
<p>1</p>  <p>Mating Cordset: PKG 3M-*</p>	<p>2</p>  <p>Mating Cordset: PKG 3M-*</p>	
A4 3 and 4-wire DC - (AN, RN, AP, RP, VN, VP)		
<p>Ripple: ≤10%</p> <p>Differential Travel (Hysteresis): 3-15% (5% typical)</p> <p>Voltage Drop Across Conducting Sensor: ≤1.8 V</p> <p>Trigger Current for Short Circuit Protection: ≥220 mA on 200 mA Load Current ≥170 mA on 150 mA Load Current ≥120 mA on 100 mA Load Current</p> <p>Off-State (Leakage) Current: ≤0.1 mA</p> <p>No-Load Current: ≤15 mA (Ferrite, Uprox) ≤20 mA (Uprox+, Uprox3)</p>	<p>Time Delay Before Availability: ≤8 ms</p> <p>Power-On Effect: Per IEC 947-5-2</p> <p>Reverse Polarity Protection: Incorporated</p> <p>Wire-Break Protection: Incorporated</p> <p>Transient Protection: Per EN 60947-5-2</p> <p>Temperature Drift: ≤±10%</p> <p>Shock: 30 g, 11 ms</p> <p>Vibration: 55 Hz, 1 mm Amplitude in all 3 Planes</p> <p>Repeatability: ≤2% of Rated Operating Distance</p>	

We reserve the right to make technical alterations without prior notice.



Inductive Barrel Sensors | 8 mm

Nonembeddable Threaded Metal Barrels with Connector and DC Outputs

Part Number/ ID Number	Features	Sensing Range (mm)	Output	Voltage	Switching Freq. (Hz)	Operating Current (mA)	Operating Temp. (°C)	Protection	Housing	Face	Power LED	Output LED	Dimension Drawings	Wiring Diagrams	Spec List
Ni6U-EG08-AN6X-V1131 4635804	Uprox+	6	3-wire DC NPN	10-30 VDC	1000	≤150	0 to +70	IP68	SS	LCP	N/A	YE	E	1	A4
Ni6U-EG08-AP6X-V1131 4635801	Uprox+	6	3-wire DC PNP	10-30 VDC	1000	≤150	0 to +70	IP68	SS	LCP	N/A	YE	E	2	A4
Ni5-M08-AN6X-V1131 4602924		5	3-wire DC NPN	10-30 VDC	2800	≤150	-25 to +70	IP67	CBP	PP-GF20	N/A	YE	D	1	A4
Ni5-M08-AP6X-V1131 4602921		5	3-wire DC PNP	10-30 VDC	2800	≤150	-25 to +70	IP67	CBP	PP-GF20	N/A	YE	D	2	A4
Ni5-M08KK-AN6X-V1131 4602949	Short Barrel	5	3-wire DC NPN	10-30 VDC	2800	≤150	-25 to +70	IP67	CBP	PP-GF20	N/A	YE	A	1	A4
Ni5-M08KK-AP6X-V1131 4602946	Short Barrel	5	3-wire DC PNP	10-30 VDC	2800	≤150	-25 to +70	IP67	CBP	PP-GF20	N/A	YE	A	2	A4
Ni4U-EG08-AN6X-V1131 4600630	Uprox	4	3-wire DC NPN	10-30 VDC	2000	≤150	-30 to +85	IP68	SS	PA 12	N/A	YE	E	1	A4
Ni4U-EG08-AP6X-V1131 4600620	Uprox	4	3-wire DC PNP	10-30 VDC	2000	≤150	-30 to +85	IP68	SS	PA 12	N/A	YE	E	2	A4
Ni3-M08E-AN6X-V1131 4602833		3	3-wire DC NPN	10-30 VDC	2800	≤150	-25 to +70	IP67	CBP	PP-GF20	N/A	YE	F	1	A4
Ni3-M08E-AP6X-V1131 4602836		3	3-wire DC PNP	10-30 VDC	2800	≤150	-25 to +70	IP67	CBP	PP-GF20	N/A	YE	F	2	A4
Ni3-M08K-AN6X-V1131 4602849		3	3-wire DC NPN	10-30 VDC	2800	≤150	-25 to +70	IP67	CBP	PP-GF20	N/A	YE	C	1	A4
Ni3-M08K-AP6X-V1131 4602853		3	3-wire DC PNP	10-30 VDC	2800	≤150	-25 to +70	IP67	CBP	PP-GF20	N/A	YE	C	2	A4
Ni3-EG08-AN6X-V1131 4602850		3	3-wire DC NPN	10-30 VDC	3000	≤150	-25 to +70	IP67	SS	PA 12	N/A	YE	E	1	A4
Ni3-EG08-AP6X-V1131 4602750		3	3-wire DC PNP	10-30 VDC	3000	≤150	-25 to +70	IP67	SS	PA 12	N/A	YE	E	2	A4
Ni3-EG08K-AN6X-V1131 4669750		3	3-wire DC NPN	10-30 VDC	3000	≤150	-25 to +70	IP67	SS	PA 12	N/A	YE	B	1	A4
Ni3-EG08K-AP6X-V1131 4669650		3	3-wire DC PNP	10-30 VDC	3000	≤150	-25 to +70	IP67	SS	PA 12	N/A	YE	B	2	A4


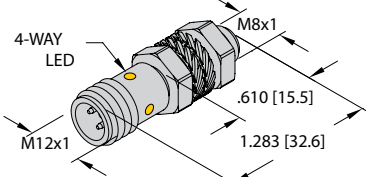
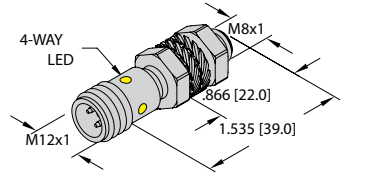
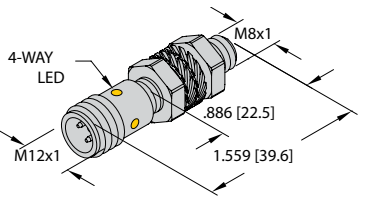
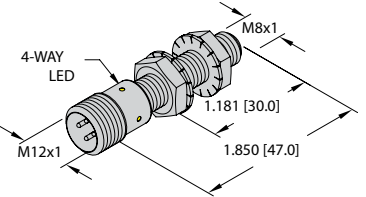
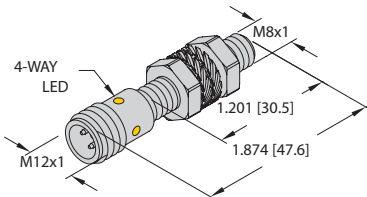
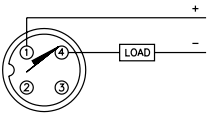
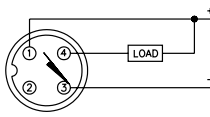
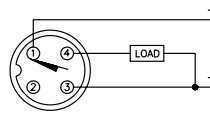
We reserve the right to make technical alterations without prior notice.

Inductive Barrel Sensors



Inductive Barrel Sensors | 8 mm

Embeddable Threaded Metal Barrels with Connector and DC Outputs

Housing Style	Dimension Drawings	
	<p>A</p>  <p>8 mm - Embeddable, Miniature Threaded, M12 Eurofast Quick Disconnect</p>	<p>B</p>  <p>8 mm - Embeddable, Miniature Threaded, M12 Eurofast Quick Disconnect</p>
<p>C</p>  <p>8 mm - Embeddable, Miniature Threaded, M12 Eurofast Quick Disconnect</p>	<p>D</p>  <p>8 mm - Embeddable, Miniature Threaded, M12 Eurofast Quick Disconnect</p>	<p>E</p>  <p>8 mm - Embeddable, Miniature Threaded, M12 Eurofast Quick Disconnect</p>
Wiring Diagrams/Mating Cordsets		
<p>1</p>  <p>Mating Cordset: RK 4.23T-*</p>	<p>2</p>  <p>Mating Cordset: RK 4T-*</p>	<p>3</p>  <p>Mating Cordset: RK 4T-*, RK 4T-*/S1587</p>
A2	2-wire DC - (AD, RD, AG)	
<p>Ripple: $\leq 10\%$</p> <p>Differential Travel (Hysteresis): 3-15% (5% typical)</p> <p>Voltage Drop Across Conducting Sensor: Non-polarized (AD) $< 5.0\text{ V}$ Polarized (AG) $\leq 4.2\text{ V}$</p> <p>Trigger Current for Short Circuit Protection: $\geq 120\text{ mA}$</p> <p>Minimum Load Current: $\geq 3.0\text{ mA}$</p>	<p>Off-State (Leakage) Current: $\leq 0.8\text{ mA}$</p> <p>Power-On Effect: Per IEC 947-5-2</p> <p>Transient Protection: Per EN 60947-5-2</p> <p>Shock: 30 g, 11 ms</p> <p>Vibration: 55 Hz, 1 mm Amplitude in all 3 Planes</p> <p>Repeatability: $\leq 2\%$ of Rated Operating Distance</p>	
A4	3 and 4-wire DC - (AN, RN, AP, RP, VN, VP)	
<p>Ripple: $\leq 10\%$</p> <p>Differential Travel (Hysteresis): 3-15% (5% typical)</p> <p>Voltage Drop Across Conducting Sensor: $\leq 1.8\text{ V}$</p> <p>Trigger Current for Short Circuit Protection: $\geq 220\text{ mA}$ on 200 mA Load Current $\geq 170\text{ mA}$ on 150 mA Load Current $\geq 120\text{ mA}$ on 100 mA Load Current</p> <p>Off-State (Leakage) Current: $\leq 0.1\text{ mA}$</p> <p>No-Load Current: $\leq 15\text{ mA}$ (Ferrite, Uprox) $\leq 20\text{ mA}$ (Uprox+, Uprox3)</p>	<p>Time Delay Before Availability: $\leq 8\text{ ms}$</p> <p>Power-On Effect: Per IEC 947-5-2</p> <p>Reverse Polarity Protection: Incorporated</p> <p>Wire-Break Protection: Incorporated</p> <p>Transient Protection: Per EN 60947-5-2</p> <p>Temperature Drift: $\leq \pm 10\%$</p> <p>Shock: 30 g, 11 ms</p> <p>Vibration: 55 Hz, 1 mm Amplitude in all 3 Planes</p> <p>Repeatability: $\leq 2\%$ of Rated Operating Distance</p>	

We reserve the right to make technical alterations without prior notice.



Inductive Barrel Sensors | 8 mm

Embeddable Threaded Metal Barrels with Connector and DC Outputs

Part Number/ ID Number	Features	Sensing Range (mm)	Output	Voltage	Switching Freq. (Hz)	Operating Current (mA)	Operating Temp. (°C)	Protection	Housing	Face	Power LED	Output LED	Dimension Drawings	Wiring Diagrams	Spec List
Bi3U-EM08-AN6X-H1341 4602422	Uprox3	3	3-wire DC NPN	10-30 VDC	1000	≤150	0 to +60	IP68	SS	PA 12	N/A	YE	D	2	A4
Bi3U-EMT08-AN6X-H1341 4602158	Uprox3, PTFE	3	3-wire DC NPN	10-30 VDC	1000	≤150	0 to +60	IP68	SS	TC	N/A	YE	D	2	A4
Bi3U-EM08-AP6X-H1341 4602412	Uprox3	3	3-wire DC PNP	10-30 VDC	1000	≤150	0 to +60	IP68	SS	PA 12	N/A	YE	D	3	A4
Bi3U-EMT08-AP6X-H1341 4602156	Uprox3, PTFE	3	3-wire DC PNP	10-30 VDC	1000	≤150	0 to +60	IP68	SS	TC	N/A	YE	D	3	A4
Bi3-M08-AN6X-H1341 4602915		3	3-wire DC NPN	10-30 VDC	2800	≤150	-25 to +70	IP67	CPB	PP- GF20	N/A	YE	E	2	A4
Bi3-M08-AP6X-H1341 4602912		3	3-wire DC PNP	10-30 VDC	2800	≤150	-25 to +70	IP67	CPB	PP- GF20	N/A	YE	E	3	A4
Bi3-M08KK-AN6X-H1341 4602943	Short Barrel	3	3-wire DC NPN	10-30 VDC	2800	≤150	-25 to +70	IP67	CPB	PP- GF20	N/A	YE	A	2	A4
Bi3-M08KK-AP6X-H1341 4602940	Short Barrel	3	3-wire DC PNP	10-30 VDC	2800	≤150	-25 to +70	IP67	CPB	PP- GF20	N/A	YE	A	3	A4
Bi2-EG08K-AG41X-H1341 4562011		2	2-wire DC	10-65 VDC	1000	≤100	-25 to +70	IP67	SS	PA 12	N/A	YE	B	1	A2
Bi2-EG08K-AG41X-H1341/S1589 4562090	Weldguard	2	2-wire DC	10-65 VDC	1000	≤100	-25 to +70	IP67	SS	WG	N/A	YE	B	1	A2
Bi2-EGT08K-AG41X-H1341/S1589 4602599	PTFE, Short barrel, Weldguard	2	2-wire DC	10-65 VDC	1000	≤100	-25 to +70	IP67	SS	WG	N/A	YE	B	1	A2
Bi2-EG08K-AN6X-H1341 4669560		2	3-wire DC NPN	10-30 VDC	3000	≤150	-25 to +70	IP67	SS	PA 12	N/A	YE	B	2	A4
Bi2-EG08K-AP6X-H1341 4669460		2	3-wire DC PNP	10-30 VDC	3000	≤150	-25 to +70	IP67	SS	PA 12	N/A	YE	B	3	A4
Bi2-EG08K-AP6X-H1341/S1589 4669486	Weldguard	2	3-wire DC PNP	10-30 VDC	3000	≤150	-25 to +70	IP67	SS	WG	N/A	YE	B	3	A4
Bi2-M08K-AN6X-H1341 4602964		2	3-wire DC NPN	10-30 VDC	2800	≤150	-25 to +70	IP67	CPB	PP- GF20	N/A	YE	C	2	A4
Bi2-M08K-AP6X-H1341 4602967		2	3-wire DC PNP	10-30 VDC	2800	≤150	-25 to +70	IP67	CPB	PP- GF20	N/A	YE	C	3	A4
Bi1.5-EG08K-AN6X-H1341 4669150		1.5	3-wire DC NPN	10-30 VDC	3000	≤150	-25 to +70	IP67	SS	PA 12	N/A	YE	B	2	A4
Bi1.5-EG08K-AP6X-H1341 4669050		1.5	3-wire DC PNP	10-30 VDC	3000	≤150	-25 to +70	IP67	SS	PA 12	N/A	YE	B	3	A4


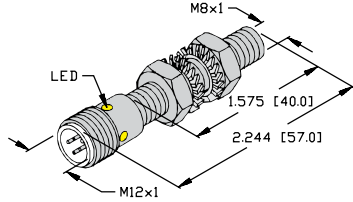
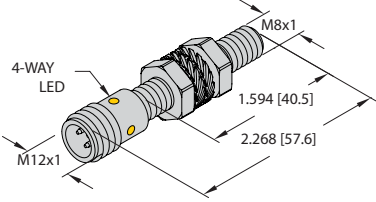
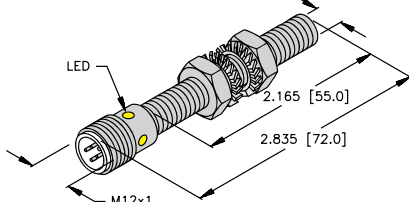
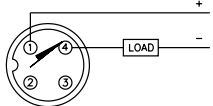
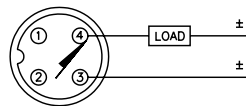
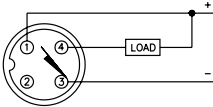
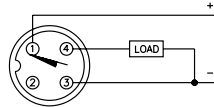
Note: Reference sensor data sheet for considerations if mounting a Bi3-M08 sensor flush in steel.

We reserve the right to make technical alterations without prior notice.

Inductive Barrel Sensors

Inductive Barrel Sensors | 8 mm

Embeddable Threaded Metal Barrels with Connector and DC Outputs

Housing Style	Dimension Drawings
	<p>A</p>  <p>8 mm - Embeddable, Miniature Threaded, M12 Eurofast Quick Disconnect</p>
<p>B</p>  <p>8 mm - Embeddable, Miniature Threaded, M12 Eurofast Quick Disconnect</p>	<p>C</p>  <p>8 mm - Embeddable, Miniature Threaded, M12 Eurofast Quick Disconnect</p>
Wiring Diagrams/Mating Cordsets	
<p>1</p>  <p>Mating Cordset: RK 4.23T-*</p>	<p>2</p>  <p>Mating Cordset: RK 4.23T-*</p>
<p>3</p>  <p>Mating Cordset: RK 4T-*, RK 4T-*/S1587</p>	<p>4</p>  <p>Mating Cordset: RK 4T-*, RK 4T-*/S1587</p>
A2 2-wire DC - (AD, RD, AG)	
<p>Ripple: ≤10%</p> <p>Differential Travel (Hysteresis): 3-15% (5% typical)</p> <p>Voltage Drop Across Conducting Sensor: Non-polarized (AD) <5.0 V Polarized (AG) ≤4.2 V</p> <p>Trigger Current for Short Circuit Protection: ≥120 mA</p> <p>Minimum Load Current: ≥3.0 mA</p>	<p>Off-State (Leakage) Current: ≤0.8 mA</p> <p>Power-On Effect: Per IEC 947-5-2</p> <p>Transient Protection: Per EN 60947-5-2</p> <p>Shock: 30 g, 11 ms</p> <p>Vibration: 55 Hz, 1 mm Amplitude in all 3 Planes</p> <p>Repeatability: ≤2% of Rated Operating Distance</p>
A4 3 and 4-wire DC - (AN, RN, AP, RP, VN, VP)	
<p>Ripple: ≤10%</p> <p>Differential Travel (Hysteresis): 3-15% (5% typical)</p> <p>Voltage Drop Across Conducting Sensor: ≤1.8 V</p> <p>Trigger Current for Short Circuit Protection: ≥220 mA on 200 mA Load Current ≥170 mA on 150 mA Load Current ≥120 mA on 100 mA Load Current</p> <p>Off-State (Leakage) Current: ≤0.1 mA</p> <p>No-Load Current: ≤15 mA (Ferrite, Uprox) ≤20 mA (Uprox+, Uprox3)</p>	<p>Time Delay Before Availability: ≤8 ms</p> <p>Power-On Effect: Per IEC 947-5-2</p> <p>Reverse Polarity Protection: Incorporated</p> <p>Wire-Break Protection: Incorporated</p> <p>Transient Protection: Per EN 60947-5-2</p> <p>Temperature Drift: ≤±10%</p> <p>Shock: 30 g, 11 ms</p> <p>Vibration: 55 Hz, 1 mm Amplitude in all 3 Planes</p> <p>Repeatability: ≤2% of Rated Operating Distance</p>

We reserve the right to make technical alterations without prior notice.



Inductive Barrel Sensors | 8 mm

Embeddable Threaded Metal Barrels with Connector and DC Outputs

Part Number/ ID Number	Features	Sensing Range (mm)	Output	Voltage	Switching Freq. (Hz)	Operating Current (mA)	Operating Temp. (°C)	Protection	Housing	Face	Power LED	Output LED	Dimension Drawings	Wiring Diagrams	Spec List
Bi2U-EG08-AN6X-H1341 4602037	Uprox	2	3-wire DC NPN	10-30 VDC	1000	≤150	-35 to +85	IP68	SS	PA 12	N/A	YE	A	3	A4
Bi2U-EG08-AP6X-H1341 4602034	Uprox	2	3-wire DC PNP	10-30 VDC	1000	≤150	-35 to +85	IP68	SS	PA 12	N/A	YE	A	4	A4
Bi2-EG08-AG41X-H1341 4562001		2	2-wire DC	10-65 VDC	1000	≤100	-25 to +70	IP67	SS	PA 12	N/A	YE	A	1	A2
Bi2-EG08-AG41X-H1341/S1589 4562095	Weldguard	2	2-wire DC	10-65 VDC	1000	≤100	-25 to +70	IP67	SS	WG	N/A	YE	A	1	A2
Bi2-EG08-AN6X-H1341 4602160		2	3-wire DC NPN	10-30 VDC	3000	≤150	-25 to +70	IP67	SS	PA 12	N/A	YE	A	3	A4
Bi2-EG08-AN6X-H1341/S1589 4602182	Weldguard	2	3-wire DC NPN	10-30 VDC	3000	≤150	-25 to +70	IP67	SS	WG	N/A	YE	A	3	A4
Bi2-EG08-AP6X-H1341 4602060		2	3-wire DC PNP	10-30 VDC	3000	≤150	-25 to +70	IP67	SS	PA 12	N/A	YE	A	4	A4
Bi2-EG08-AP6X-H1341/S1589 4602086	Weldguard	2	3-wire DC PNP	10-30 VDC	3000	≤150	-25 to +70	IP67	SS	WG	N/A	YE	A	4	A4
Bi2-EGT08-AP6X-H1341/S100 4602257	PTFE, High Temp. 100 °C	2	3-wire DC PNP	10-30 VDC	3000	≤150	-25 to +100	IP67	TC	TC	N/A	YE	A	4	A4
Bi2-EG08-VN6X-H1341 4602521	Comp. Outputs	2	4-wire DC NPN	10-30 VDC	3000	≤200	-25 to +70	IP67	SS	PA 12	N/A	YE	A	5	A4
Bi2-EG08-VP6X-H1341 S4602522	Comp. Outputs	2	4-wire DC PNP	10-30 VDC	3000	≤200	-25 to +70	IP67	SS	PA 12	N/A	YE	A	6	A4
Bi2-G08-AN6X-H1341 46026		2	3-wire DC NPN	10-30 VDC	3000	≤150	-25 to +70	IP67	SS	PA 12	N/A	YE	C	3	A4
Bi2-G08-AP6X-H1341 46025		2	3-wire DC PNP	10-30 VDC	3000	≤150	-25 to +70	IP67	SS	PA 12	N/A	YE	C	4	A4
Bi2-M08E-AN6X-H1341 4602952		2	3-wire DC NPN	10-30 VDC	2800	≤150	-25 to +70	IP67	CBP	PP- GF20	N/A	YE	B	3	A4
Bi2-M08E-AP6X-H1341 4602955		2	3-wire DC PNP	10-30 VDC	2800	≤150	-25 to +70	IP67	CBP	PP- GF20	N/A	YE	B	4	A4
Bi1.5U-EG08-AN6X-H1341 4600550	Uprox	1.5	3-wire DC NPN	10-30 VDC	2000	≤150	-30 to +85	IP67	SS	PA 12	N/A	YE	A	3	A4
Bi1.5U-EG08-AP6X-H1341 4600540	Uprox	1.5	3-wire DC PNP	10-30 VDC	2000	≤150	-30 to +85	IP68	SS	PA 12	N/A	YE	A	4	A4
Bi1.5U-EG08-AP6X-H1341/S1589 46005401	Uprox, Weldguard	1.5	3-wire DC PNP	10-30 VDC	2000	≤150	-30 to +85	IP67	SS	WG	N/A	YE	A	4	A4
Bi1.5U-EGT08-AP6X-H1341 4600555	Uprox, PTFE	1.5	3-wire DC PNP	10-30 VDC	2000	≤150	-30 to +85	IP67	TC	TC	N/A	YE	A	4	A4
Bi1.5-EG08-AD6X-H1341 4600203		1.5	2-wire DC	10-65 VDC	1000	≤100	-25 to +70	IP67	SS	PA 12	N/A	YE	A	2	A2
Bi1.5-EG08-AN6X-H1341 4602360		1.5	3-wire DC NPN	10-30 VDC	3000	≤150	-25 to +70	IP67	SS	PA 12	N/A	YE	A	3	A4
Bi1.5-EG08-AP6X-H1341 4602260		1.5	3-wire DC PNP	10-30 VDC	3000	≤150	-25 to +70	IP67	SS	PA 12	N/A	YE	A	4	A4
Bi1.5-G08-AN6X-H1341 4603700		1.5	3-wire DC NPN	10-30 VDC	3000	≤150	-25 to +70	IP67	SS	PA 12	N/A	YE	C	3	A4
Bi1.5-G08-AN7X-H1341 4701126	TTL Compatible	1.5	3-wire DC NPN	10-30 VDC	3000	≤150	-25 to +70	IP67	SS	PA 12	N/A	YE	C	3	A4
Bi1.5-G08-AP6X-H1341 4603600		1.5	3-wire DC PNP	10-30 VDC	3000	≤150	-25 to +70	IP67	SS	PA 12	N/A	YE	C	4	A4


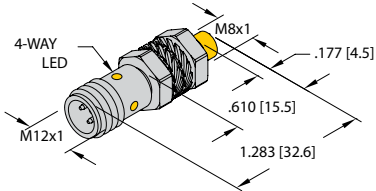
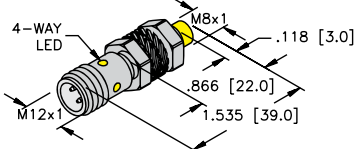
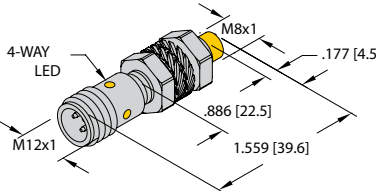
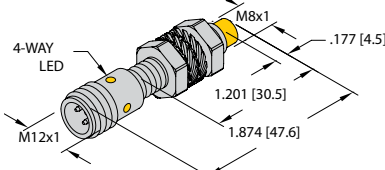
We reserve the right to make technical alterations without prior notice.

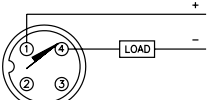
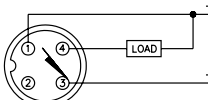
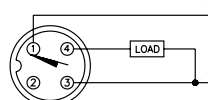
Inductive Barrel Sensors



Inductive Barrel Sensors | 8 mm

Nonembeddable Threaded Metal Barrels with Connector and DC Outputs

Housing Style	Dimension Drawings
	<p>A</p>  <p>8 mm - Nonembeddable, Miniature Threaded, M12 Eurofast Quick Disconnect</p>
<p>B</p>  <p>8 mm - Nonembeddable, Miniature Threaded, M12 Eurofast Quick Disconnect</p>	<p>C</p>  <p>8 mm - Nonembeddable, Miniature Threaded, M12 Eurofast Quick Disconnect</p>
<p>D</p>  <p>8 mm - Nonembeddable, Miniature Threaded, M12 Eurofast Quick Disconnect</p>	

Wiring Diagrams/Mating Cordsets		
<p>1</p>  <p>Mating Cordset: RK 4.23T-*</p>	<p>2</p>  <p>Mating Cordset: RK 4T-*</p>	<p>3</p>  <p>Mating Cordset: RK 4T-*</p>

A2	2-wire DC - (AD, RD, AG)	
<p>Ripple: ≤10%</p> <p>Differential Travel (Hysteresis): 3-15% (5% typical)</p> <p>Voltage Drop Across Conducting Sensor: Non-polarized (AD) <5.0 V Polarized (AG) ≤4.2 V</p> <p>Trigger Current for Short Circuit Protection: ≥120 mA</p> <p>Minimum Load Current: ≥3.0 mA</p>	<p>Off-State (Leakage) Current: ≤0.8 mA</p> <p>Power-On Effect: Per IEC 947-5-2</p> <p>Transient Protection: Per EN 60947-5-2</p> <p>Shock: 30 g, 11 ms</p> <p>Vibration: 55 Hz, 1 mm Amplitude in all 3 Planes</p> <p>Repeatability: ≤2% of Rated Operating Distance</p>	

A4	3 and 4-wire DC - (AN, RN, AP, RP, VN, VP)	
<p>Ripple: ≤10%</p> <p>Differential Travel (Hysteresis): 3-15% (5% typical)</p> <p>Voltage Drop Across Conducting Sensor: ≤1.8 V</p> <p>Trigger Current for Short Circuit Protection: ≥220 mA on 200 mA Load Current ≥170 mA on 150 mA Load Current ≥120 mA on 100 mA Load Current</p> <p>Off-State (Leakage) Current: ≤0.1 mA</p> <p>No-Load Current: ≤15 mA (Ferrite, Uprox) ≤20 mA (Uprox+, Uprox3)</p>	<p>Time Delay Before Availability: ≤8 ms</p> <p>Power-On Effect: Per IEC 947-5-2</p> <p>Reverse Polarity Protection: Incorporated</p> <p>Wire-Break Protection: Incorporated</p> <p>Transient Protection: Per EN 60947-5-2</p> <p>Temperature Drift: ≤±10%</p> <p>Shock: 30 g, 11 ms</p> <p>Vibration: 55 Hz, 1 mm Amplitude in all 3 Planes</p> <p>Repeatability: ≤2% of Rated Operating Distance</p>	

We reserve the right to make technical alterations without prior notice.



Inductive Barrel Sensors | 8 mm

Nonembeddable Threaded Metal Barrels with Connector and DC Outputs

Part Number/ ID Number	Features	Sensing Range (mm)	Output	Voltage	Switching Freq. (Hz)	Operating Current (mA)	Operating Temp. (°C)	Protection	Housing	Face	Power LED	Output LED	Dimension Drawings	Wiring Diagrams	Spec List
Ni5-M08-AN6X-H1341 4602925		5	3-wire DC NPN	10-30 VDC	2800	≤150	-25 to +70	IP67	CPB	PP-GF20	N/A	YE	D	2	A4
Ni5-M08-AP6X-H1341 4602922		5	3-wire DC PNP	10-30 VDC	2800	≤150	-25 to +70	IP67	CPB	PP-GF20	N/A	YE	D	3	A4
Ni5-M08KK-AN6X-H1341 4602950	Short Barrel	5	3-wire DC NPN	10-30 VDC	2800	≤150	-25 to +70	IP67	CPB	PP-GF20	N/A	YE	A	2	A4
Ni5-M08KK-AP6X-H1341 4602947	Short Barrel	5	3-wire DC PNP	10-30 VDC	2800	≤150	-25 to +70	IP67	CPB	PP-GF20	N/A	YE	A	3	A4
Ni4-EG08K-AG41X-H1341 4561011		4	2-wire DC	10-65 VDC	1000	≤100	-25 to +70	IP67	SS	PA 12	N/A	YE	B	1	A2
Ni4-EG08K-AG41X-H1341/S1589 4561090	Weldguard	4	2-wire DC	10-65 VDC	1000	≤100	-25 to +70	IP67	SS	WG	N/A	YE	B	1	A2
Ni3-EG08K-AN6X-H1341 4669760		3	3-wire DC NPN	10-30 VDC	3000	≤150	-25 to +70	IP67	SS	PA 12	N/A	YE	B	2	A4
Ni3-EG08K-AP6X-H1341 4669660		3	3-wire DC PNP	10-30 VDC	3000	≤150	-25 to +70	IP67	SS	PA 12	N/A	YE	B	3	A4
Ni3-M08K-AN6X-H1341 4602848		3	3-wire DC NPN	10-30 VDC	2800	≤150	-25 to +70	IP67	CPB	PP-GF20	N/A	YE	C	2	A4
Ni3-M08K-AP6X-H1341 4602852		3	3-wire DC PNP	10-30 VDC	2800	≤150	-25 to +70	IP67	CPB	PP-GF20	N/A	YE	C	3	A4


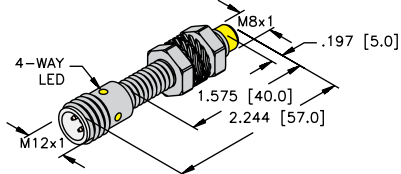
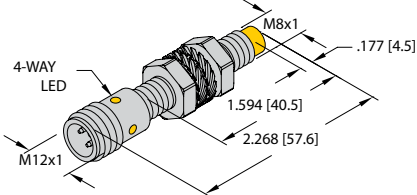
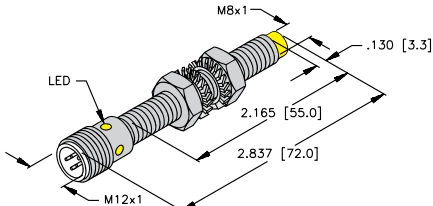
We reserve the right to make technical alterations without prior notice.

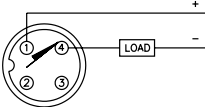
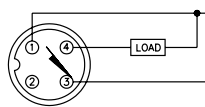
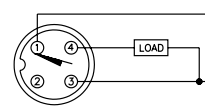
Inductive Barrel Sensors



Inductive Barrel Sensors | 8 mm

Nonembeddable Threaded Metal Barrels with Connector and DC Outputs

Housing Style	Dimension Drawings
	<p>A</p>  <p>8 mm - Nonembeddable, Miniature Threaded, M12 Eurofast Quick Disconnect</p>
<p>B</p>  <p>8 mm - Nonembeddable, Miniature Threaded, M12 Eurofast Quick Disconnect</p>	<p>C</p>  <p>8 mm - Nonembeddable, Miniature Threaded, M12 Eurofast Quick Disconnect</p>

Wiring Diagrams/Mating Cordsets		
<p>1</p>  <p>Mating Cordset: RK 4.23T-*, RK 4.23T-*/S1587</p>	<p>2</p>  <p>Mating Cordset: RK 4T-*,</p>	<p>3</p>  <p>Mating Cordset: RK 4T-*, RK 4T-*/S1587</p>

A2	2-wire DC - (AD, RD, AG)	
<p>Ripple: $\leq 10\%$</p> <p>Differential Travel (Hysteresis): 3-15% (5% typical)</p> <p>Voltage Drop Across Conducting Sensor: Non-polarized (AD) < 5.0 V Polarized (AG) ≤ 4.2 V</p> <p>Trigger Current for Short Circuit Protection: ≥ 120 mA</p> <p>Minimum Load Current: ≥ 3.0 mA</p>	<p>Off-State (Leakage) Current: ≤ 0.8 mA</p> <p>Power-On Effect: Per IEC 947-5-2</p> <p>Transient Protection: Per EN 60947-5-2</p> <p>Shock: 30 g, 11 ms</p> <p>Vibration: 55 Hz, 1 mm Amplitude in all 3 Planes</p> <p>Repeatability: $\leq 2\%$ of Rated Operating Distance</p>	
A4	3 and 4-wire DC - (AN, RN, AP, RP, VN, VP)	
<p>Ripple: $\leq 10\%$</p> <p>Differential Travel (Hysteresis): 3-15% (5% typical)</p> <p>Voltage Drop Across Conducting Sensor: ≤ 1.8 V</p> <p>Trigger Current for Short Circuit Protection: ≥ 220 mA on 200 mA Load Current ≥ 170 mA on 150 mA Load Current ≥ 120 mA on 100 mA Load Current</p> <p>Off-State (Leakage) Current: ≤ 0.1 mA</p> <p>No-Load Current: ≤ 15 mA (Ferrite, Uprox) ≤ 20 mA (Uprox+, Uprox3)</p>	<p>Time Delay Before Availability: ≤ 8 ms</p> <p>Power-On Effect: Per IEC 947-5-2</p> <p>Reverse Polarity Protection: Incorporated</p> <p>Wire-Break Protection: Incorporated</p> <p>Transient Protection: Per EN 60947-5-2</p> <p>Temperature Drift: $\leq \pm 10\%$</p> <p>Shock: 30 g, 11 ms</p> <p>Vibration: 55 Hz, 1 mm Amplitude in all 3 Planes</p> <p>Repeatability: $\leq 2\%$ of Rated Operating Distance</p>	

We reserve the right to make technical alterations without prior notice.



Inductive Barrel Sensors | 8 mm

Nonembeddable Threaded Metal Barrels with Connector and DC Outputs

Part Number/ ID Number	Features	Sensing Range (mm)	Output	Voltage	Switching Freq. (Hz)	Operating Current (mA)	Operating Temp. (°C)	Protection	Housing	Face	Power LED	Output LED	Dimension Drawings	Wiring Diagrams	Spec List
Ni6U-EG08-AN6X-H1341 4635805	Uprox+	6	3-wire DC NPN	10-30 VDC	1000	≤150	0 to +70	IP68	SS	LCP	N/A	YE	A	2	A4
Ni6U-EG08-AP6X-H1341 4635802	Uprox+	6	3-wire DC PNP	10-30 VDC	1000	≤150	0 to +70	IP68	SS	LCP	N/A	YE	A	3	A4
Ni4U-EG08-AN6X-H1341 4600650	Uprox	4	3-wire DC NPN	10-30 VDC	2000	≤150	-30 to +85	IP68	SS	PA 12	N/A	YE	A	2	A4
Ni4U-EG08-AP6X-H1341 4600640	Uprox	4	3-wire DC PNP	10-30 VDC	2000	≤150	-30 to +85	IP68	SS	PA 12	N/A	YE	A	3	A4
Ni4U-EG08-AP6X-H1341/S1589 4600641	Uprox, Weldguard	4	3-wire DC PNP	10-30 VDC	2000	≤150	-30 to +85	IP67	SS	WG	N/A	YE	A	3	A4
Ni4-EG08-AG41X-H1341 4561001		4	2-wire DC	10-65 VDC	1000	≤100	-25 to +70	IP67	SS	PA 12	N/A	YE	A	1	A2
Ni4-EG08-AG41X-H1341/S1589 4561091	Weldguard	4	2-wire DC	10-65 VDC	1000	≤100	-25 to +70	IP67	SS	WG	N/A	YE	A	1	A2
Ni3-EG08-AN6X-H1341 4602860		3	3-wire DC NPN	10-30 VDC	3000	≤150	-25 to +70	IP67	SS	PA 12	N/A	YE	A	2	A4
Ni3-EG08-AN7X-H1341 4669761	TTL Compatible	3	3-wire DC NPN	10-30 VDC	2000	≤150	-25 to +70	IP67	SS	PA 12	N/A	YE	A	2	A4
Ni3-EG08-AP6X-H1341 4602760		3	3-wire DC PNP	10-30 VDC	3000	≤150	-25 to +70	IP67	SS	PA 12	N/A	YE	A	3	A4
Ni3-EG08-AP6X-H1341/S1589 4602799	Weldguard	3	3-wire DC PNP	10-30 VDC	3000	≤150	-25 to +70	IP67	SS	WG	N/A	YE	A	3	A4
Ni3-M08E-AN6X-H1341 4602832		3	3-wire DC NPN	10-30 VDC	2800	≤150	-25 to +70	IP67	CPB	PP-GF20	N/A	YE	B	2	A4
Ni3-M08E-AP6X-H1341 4602835		3	3-wire DC PNP	10-30 VDC	2800	≤150	-25 to +70	IP67	CPB	PP-GF20	N/A	YE	B	3	A4
Ni3-G08-AN6X-H1341 4602704		3	3-wire DC NPN	10-30 VDC	3000	≤150	-25 to +70	IP67	SS	PA 12	N/A	YE	C	2	A4
Ni3-G08-AP6X-H1341 4602705		3	3-wire DC PNP	10-30 VDC	3000	≤150	-25 to +70	IP67	SS	PA 12	N/A	YE	C	3	A4
Ni2-G08-AN6X-H1341 46033		2	3-wire DC NPN	10-30 VDC	3000	≤150	-25 to +70	IP67	SS	PA 12	N/A	YE	C	2	A4
Ni2-G08-AP6X-H1341 46032		2	3-wire DC PNP	10-30 VDC	3000	≤150	-25 to +70	IP67	SS	PA 12	N/A	YE	C	3	A4


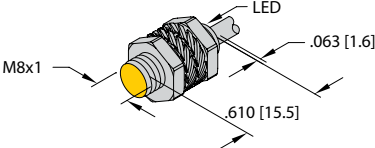
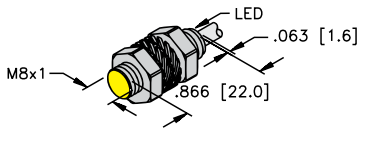
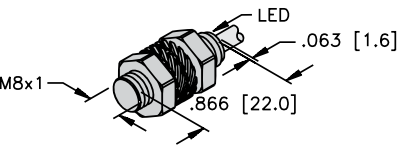
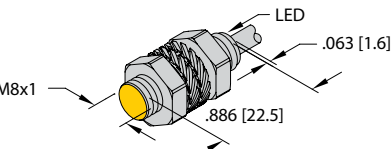
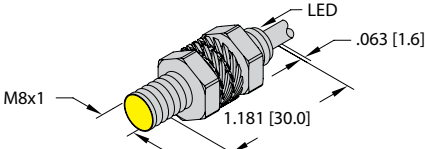
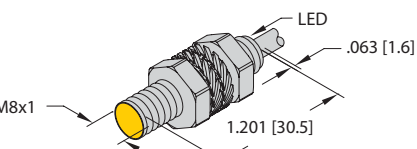
We reserve the right to make technical alterations without prior notice.

Inductive Barrel Sensors



Inductive Barrel Sensors | 8 mm

Embeddable Threaded Metal Barrels with Cable and DC Outputs

Housing Style	Dimension Drawings	
	<p>A</p>  <p>8 mm - Embeddable, Miniature Threaded Barrel, Potted-In Cable</p>	<p>B</p>  <p>8 mm - Embeddable, Miniature Threaded Barrel, Potted-In Cable</p>
<p>C</p>  <p>8 mm - Embeddable, Miniature Threaded Barrel, Potted-In Cable, PTFE Coated</p>	<p>D</p>  <p>8 mm - Embeddable, Miniature Threaded Barrel, Potted-In Cable</p>	<p>E</p>  <p>8 mm - Embeddable, Miniature Threaded Barrel, Potted-In Cable</p>
<p>F</p>  <p>8 mm - Embeddable, Miniature Threaded Barrel, Potted-In Cable</p>		

Wiring Diagrams/Mating Cordsets

<p>1</p> 	<p>2</p> 
-----------------------------------------------------------------------------------------------------	-------------------------------------------------------------------------------------------------------

A4 3 and 4-wire DC - (AN, RN, AP, RP, VN, VP)

<p>Ripple: ≤10%</p> <p>Differential Travel (Hysteresis): 3-15% (5% typical)</p> <p>Voltage Drop Across Conducting Sensor: ≤1.8 V</p> <p>Trigger Current for Short Circuit Protection: ≥220 mA on 200 mA Load Current ≥170 mA on 150 mA Load Current ≥120 mA on 100 mA Load Current</p> <p>Off-State (Leakage) Current: ≤0.1 mA</p> <p>No-Load Current: ≤15 mA (Ferrite, Uprox) ≤20 mA (Uprox+, Uprox3)</p>	<p>Time Delay Before Availability: ≤8 ms</p> <p>Power-On Effect: Per IEC 947-5-2</p> <p>Reverse Polarity Protection: Incorporated</p> <p>Wire-Break Protection: Incorporated</p> <p>Transient Protection: Per EN 60947-5-2</p> <p>Temperature Drift: ≤±10%</p> <p>Shock: 30 g, 11 ms</p> <p>Vibration: 55 Hz, 1 mm Amplitude in all 3 Planes</p> <p>Repeatability: ≤2% of Rated Operating Distance</p>
------------------------------------------------------------------------------------------------------------------------------------------------------------------------------------------------------------------------------------------------------------------------------------------------------------------------------------------------------------------------------------------------------------------------------------------------------------------	-----------------------------------------------------------------------------------------------------------------------------------------------------------------------------------------------------------------------------------------------------------------------------------------------------------------------------------------------------------------------------------------------------------------------------------------------------------------------

We reserve the right to make technical alterations without prior notice.



Inductive Barrel Sensors | 8 mm

Embeddable Threaded Metal Barrels with Cable and DC Outputs

Part Number/ ID Number	Features	Sensing Range (mm)	Output	Voltage	Switching Freq. (Hz)	Operating Current (mA)	Operating Temp. (°C)	Protection	Housing	Face	Power LED	Output LED	Cable Length/Jacket	Dimension Drawings	Wiring Diagrams	Spec List
Bi3U-EM08-AN6X 4602421	Uprox3	3	3-wire DC NPN	10-30 VDC	1000	≤150	0 to +60	IP68	SS	PA 12	N/A	YE	2M/TPU	E	1	A4
Bi3U-EM08-AP6X 4602411	Uprox3	3	3-wire DC PNP	10-30 VDC	1000	≤150	0 to +60	IP68	SS	PA 12	N/A	YE	2M/TPU	E	2	A4
Bi3-M08-AN6X 4602913		3	3-wire DC NPN	10-30 VDC	2800	≤150	-25 to +70	IP67	CBP	PP-GF20	N/A	YE	2M/TPU	F	1	A4
Bi3-M08-AP6X 4602910		3	3-wire DC PNP	10-30 VDC	2800	≤150	-25 to +70	IP67	CBP	PP-GF20	N/A	YE	2M/TPU	F	2	A4
Bi3-M08KK-AN6X 4602941	Short Barrel	3	3-wire DC NPN	10-30 VDC	2800	≤150	-25 to +70	IP67	CBP	PP-GF20	N/A	YE	2M/TPU	A	1	A4
Bi3-M08KK-AP6X 4602938	Short Barrel	3	3-wire DC PNP	10-30 VDC	2800	≤150	-25 to +70	IP67	CBP	PP-GF20	N/A	YE	2M/TPU	A	2	A4
Bi2-EG08K-AN6X 4669500		2	3-wire DC NPN	10-30 VDC	3000	≤150	-25 to +70	IP67	SS	PA 12	N/A	YE	2M/TPU	B	1	A4
Bi2-EG08K-AN6X/S1589 4669587	Weldguard	2	3-wire DC NPN	10-30 VDC	3000	≤150	-25 to +70	IP67	SS	WG	N/A	YE	2M/TPU	B	1	A4
Bi2-EG08K-AP6X 4669400		2	3-wire DC PNP	10-30 VDC	3000	≤150	-25 to +70	IP67	SS	PA 12	N/A	YE	2M/TPU	B	2	A4
Bi2-EG08K-AP6X/S97 4669413	Low Temp. -40 °C	2	3-wire DC PNP	10-30 VDC	3000	≤150	-40 to +70	IP67	SS	PA 12	N/A	YE	2M/TPU	B	2	A4
Bi2-EGT08K-AP6X 4602541	PTFE	2	3-wire DC PNP	10-30 VDC	3000	≤150	-25 to +70	IP67	TC	TC	N/A	YE	2M/TPU	C	2	A4
Bi2-EGT08K-AP6X/S100 4602544	PTFE, High Temp. 100 °C	2	3-wire DC PNP	10-30 VDC	3000	≤150	-25 to +100	IP67	TC	TC	N/A	YE	2M/TPU	C	2	A4
Bi2-EGT08K-AP6X/S1589 46025413	PTFE, Weldguard	2	3-wire DC PNP	10-30 VDC	3000	≤150	-25 to +70	IP67	TC	WG	N/A	YE	2M/TPU	C	2	A4
Bi2-M08K-AN6X 4602963		2	3-wire DC NPN	10-30 VDC	2800	≤150	-25 to +70	IP67	CBP	PP-GF20	N/A	YE	2M/TPU	D	1	A4
Bi2-M08K-AP6X 4602966		2	3-wire DC PNP	10-30 VDC	2800	≤150	-25 to +70	IP67	CBP	PP-GF20	N/A	YE	2M/TPU	D	2	A4
Bi1.5-EG08K-AN6X 4669140		1.5	3-wire DC NPN	10-30 VDC	3000	≤150	-25 to +70	IP67	SS	PA 12	N/A	YE	2M/TPU	B	1	A4
Bi1.5-EG08K-AP6X 4669040		1.5	3-wire DC PNP	10-30 VDC	3000	≤150	-25 to +70	IP67	SS	PA 12	N/A	YE	2M/TPU	B	2	A4
Bi1.5-EG08K-AP6/S100 4669016	High Temp. 100 °C	1.5	3-wire DC PNP	10-30 VDC	3000	≤150	-25 to +100	IP67	SS	PA 12	N/A	YE	2M/TPU	B	2	A4

We reserve the right to make technical alterations without prior notice.


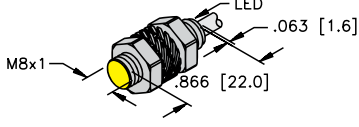
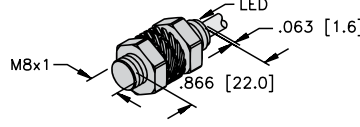
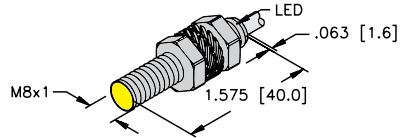
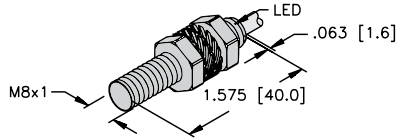
Inductive Barrel Sensors

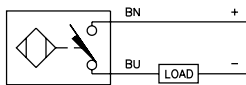
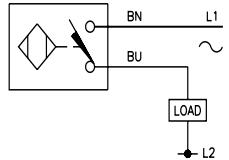
Note: Reference sensor data sheet for considerations if mounting a Bi3-M08 sensor flush in steel.



Inductive Barrel Sensors | 8 mm

Embeddable Threaded Metal Barrels with Cable and 2-Wire Outputs

Housing Style	Dimension Drawings	
	<p>A</p>  <p>8 mm - Embeddable, Miniature Threaded Barrel, Potted-In Cable</p>	<p>B</p>  <p>8 mm - Embeddable, Miniature Threaded Barrel, Potted-In Cable, PTFE Coated</p>
<p>C</p>  <p>8 mm - Embeddable, Miniature Threaded Barrel, Potted-In Cable</p>	<p>D</p>  <p>8 mm - Embeddable, Miniature Threaded Barrel, Potted-In Cable, PTFE Coated</p>	

Wiring Diagrams/Mating Cordsets	
<p>1</p> 	<p>2</p> 

A2	2-wire DC - (AD, RD, AG)	
<p>Ripple: $\leq 10\%$</p> <p>Differential Travel (Hysteresis): 3-15% (5% typical)</p> <p>Voltage Drop Across Conducting Sensor: Non-polarized (AD) $< 5.0\text{ V}$ Polarized (AG) $\leq 4.2\text{ V}$</p> <p>Trigger Current for Short Circuit Protection: $\geq 120\text{ mA}$</p> <p>Minimum Load Current: $\geq 3.0\text{ mA}$</p>	<p>Off-State (Leakage) Current: $\leq 0.8\text{ mA}$</p> <p>Power-On Effect: Per IEC 947-5-2</p> <p>Transient Protection: Per EN 60947-5-2</p> <p>Shock: 30 g, 11 ms</p> <p>Vibration: 55 Hz, 1 mm Amplitude in all 3 Planes</p> <p>Repeatability: $\leq 2\%$ of Rated Operating Distance</p>	
A6	2-wire AC/DC w/o Short-Circuit Protection - (AZ, RZ, FZ)	
<p>Line Frequency: $\geq 50\text{ Hz}$ $\leq 60\text{ Hz}$</p> <p>Differential Travel (Hysteresis): 3-15% (5% typical)</p> <p>Voltage Drop Across Conducting Sensor: $\leq 6.0\text{ V}$</p> <p>Continuous Load Current: AC: $\leq 400\text{ mA}$; DC: $\leq 300\text{ mA}$ AC: $\leq 100\text{ mA}$; DC: $\leq 100\text{ mA}$</p> <p>Off-State (Leakage) Current: $\leq 1.7\text{ mA}$</p> <p>Minimum Load Current: $\geq 3.0\text{ mA}$</p>	<p>Inrush Current: $\leq 8\text{ A}$ ($\leq 10\text{ ms}$ max. 5 Hz) $\leq 1\text{ A}$ ($\leq 10\text{ ms}$ max. 5 Hz) 12 mm $\leq 0.2\text{ A}$ ($\leq 10\text{ ms}$ max. 0.2 Hz) 8 mm</p> <p>Power-On Effect: Per IEC 947-5-2</p> <p>Transient Protection: Per EN 60947-5-2</p> <p>Shock: 30 g, 11 ms</p> <p>Vibration: 55 Hz, 1 mm Amplitude, in all 3 Planes</p> <p>Repeatability: $\leq 2\%$ of Rated Operating Distance</p>	

We reserve the right to make technical alterations without prior notice.



Inductive Barrel Sensors | 8 mm

Embeddable Threaded Metal Barrels with Cable and 2-Wire Outputs

Part Number/ ID Number	Features	Sensing Range (mm)	Output	Voltage	Switching Freq. (Hz)	Operating Current (mA)	Operating Temp. (°C)	Protection	Housing	Face	Power LED	Output LED	Cable Length/Jacket	Dimension Drawings	Wiring Diagrams	Spec List
Bi2-EG08-AG41X 4562000		2	2-wire DC	10-55 VDC	1000	≤100	-25 to +70	IP67	SS	PA 12	N/A	YE	2M/TPU	C	1	A2
Bi2-EG08-AG41X/S1589 4562088	Weldguard	2	2-wire DC	10-55 VDC	1000	≤100	-25 to +70	IP67	SS	WG	N/A	YE	2M/TPU	C	1	A2
Bi2-EG08-AZ14X 4100001		2	2-wire AC/DC	20-132 VAC/10-140 VDC	20	≤100	-25 to +70	IP67	SS	PA 12	N/A	YE	2M/TPU	C	2	A6
Bi2-EGT08-AG41X 4602540	PTFE	2	2-wire DC	10-55 VDC	1000	≤100	-25 to +70	IP67	TC	PA 12	N/A	YE	2M/TPU	D	1	A2
Bi2-EGT08-AG41X/S1589 4602003	PTFE, Weldguard	2	2-wire DC	10-55 VDC	1000	≤100	-25 to +70	IP67	TC	WG	N/A	YE	2M/TPU	D	1	A2
Bi2-EG08K-AG41X 4562010		2	2-wire DC	10-55 VDC	1000	≤100	-25 to +70	IP67	SS	PA 12	N/A	YE	2M/TPU	A	1	A2
Bi2-EG08K-AG41X/S1589 4562091	Weldguard	2	2-wire DC	10-55 VDC	1000	≤100	-25 to +70	IP67	SS	WG	N/A	YE	2M/TPU	A	1	A2
Bi2-EGT08K-AG41X 4602545	PTFE	2	2-wire DC	10-55 VDC	1000	≤100	-25 to +70	IP67	TC	PA 12	N/A	YE	2M/TPU	B	1	A2


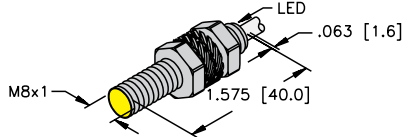
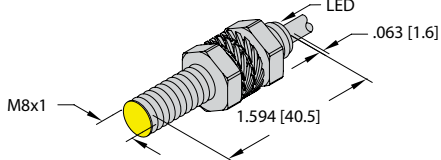
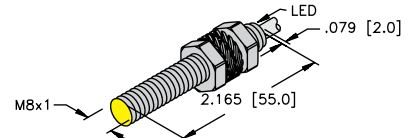
We reserve the right to make technical alterations without prior notice.

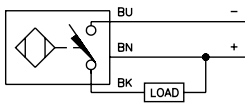
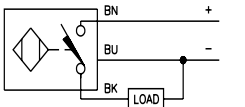
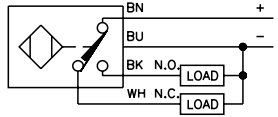
Inductive Barrel Sensors



Inductive Barrel Sensors | 8 mm

Embeddable Threaded Metal Barrels with Cable and DC Outputs

Housing Style	Dimension Drawings
	<p>A</p>  <p>8 mm - Embeddable, Miniature Threaded Barrel, Potted-In Cable</p>
<p>B</p>  <p>8 mm - Embeddable, Miniature Threaded Barrel, Potted-In Cable</p>	<p>C</p>  <p>8 mm - Embeddable, Miniature Threaded Barrel, Potted-In Cable</p>

Wiring Diagrams/Mating Cordsets		
<p>1</p> 	<p>2</p> 	<p>3</p> 

A4 3 and 4-wire DC - (AN, RN, AP, RP, VN, VP)		
<p>Ripple: $\leq 10\%$</p> <p>Differential Travel (Hysteresis): 3-15% (5% typical)</p> <p>Voltage Drop Across Conducting Sensor: $\leq 1.8\text{ V}$</p> <p>Trigger Current for Short Circuit Protection:</p> <ul style="list-style-type: none"> $\geq 220\text{ mA}$ on 200 mA Load Current $\geq 170\text{ mA}$ on 150 mA Load Current $\geq 120\text{ mA}$ on 100 mA Load Current <p>Off-State (Leakage) Current:</p> <ul style="list-style-type: none"> $\leq 0.1\text{ mA}$ No-Load Current: $\leq 15\text{ mA}$ (Ferrite, Uprox) $\leq 20\text{ mA}$ (Uprox+, Uprox3) 	<p>Time Delay Before Availability: $\leq 8\text{ ms}$</p> <p>Power-On Effect: Per IEC 947-5-2</p> <p>Reverse Polarity Protection: Incorporated</p> <p>Wire-Break Protection: Incorporated</p> <p>Transient Protection: Per EN 60947-5-2</p> <p>Temperature Drift: $\leq \pm 10\%$</p> <p>Shock: 30 g, 11 ms</p> <p>Vibration: 55 Hz, 1 mm Amplitude in all 3 Planes</p> <p>Repeatability: $\leq 2\%$ of Rated Operating Distance</p>	<p>We reserve the right to make technical alterations without prior notice.</p>



Inductive Barrel Sensors | 8 mm

Embeddable Threaded Metal Barrels with Cable and DC Outputs

Part Number/ ID Number	Features	Sensing Range (mm)	Output	Voltage	Switching Freq. (Hz)	Operating Current (mA)	Operating Temp. (°C)	Protection	Housing	Face	Power LED	Output LED	Cable Length/Jacket	Dimension Drawings	Wiring Diagrams	Spec List
Bi2U-EG08-AN6X 4602035	Uprox	2	3-wire DC NPN	10-30 VDC	2000	≤150	-30 to +85	IP68	SS	PA 12	N/A	YE	2M/TPU	A	1	A4
Bi2U-EG08-AP6X 4602032	Uprox	2	3-wire DC PNP	10-30 VDC	2000	≤150	-30 to +85	IP68	SS	PA 12	N/A	YE	2M/TPU	A	2	A4
Bi2-EG08-AN6X 4602140	Extended Range	2	3-wire DC NPN	10-30 VDC	3000	≤150	-25 to +70	IP67	SS	PA 12	N/A	YE	2M/TPU	A	1	A4
Bi2-EG08-AP6X 4602040	Extended Range	2	3-wire DC PNP	10-30 VDC	3000	≤150	-25 to +70	IP67	SS	PA 12	N/A	YE	2M/TPU	A	2	A4
Bi2-EG08-AP6X/S100 4602047	High Temp. 100 °C	2	3-wire DC PNP	10-30 VDC	3000	≤150	-25 to +100	IP67	SS	PA 12	N/A	YE	2M/TPU	A	2	A4
Bi2-EG08-AP6X/S1589 4602085	Weldguard	2	3-wire DC PNP	10-30 VDC	3000	≤150	-25 to +70	IP67	SS	WG	N/A	YE	2M/TPU	A	2	A4
Bi2-EG08-VP6X 1604610	Comp. Outputs	2	4-wire DC PNP	10-30 VDC	3000	≤150	-25 to +70	IP67	SS	PA 12	N/A	YE	2M/TPU	A	3	A4
Bi2-G08-AN6X 46021	Extended Range	2	3-wire DC NPN	10-30 VDC	3000	≤150	-25 to +70	IP67	SS	PA 12	N/A	YE	2M/TPU	C	1	A4
Bi2-G08-AP6X 46020	Extended Range	2	3-wire DC PNP	10-30 VDC	3000	≤150	-25 to +70	IP67	SS	PA 12	N/A	YE	2M/TPU	C	2	A4
Bi2-M08E-AN6X 4602951		2	3-wire DC NPN	10-30 VDC	2800	≤150	-25 to +70	IP67	CBP	PP-GF20	N/A	YE	2M/TPU	B	1	A4
Bi2-M08E-AP6X 4602954		2	3-wire DC PNP	10-30 VDC	2800	≤150	-25 to +70	IP67	CBP	PP-GF20	N/A	YE	2M/TPU	B	2	A4
Bi1.5U-EG08-AN6X 4600510	Uprox	1.5	3-wire DC NPN	10-30 VDC	2000	≤150	-30 to +85	IP68	SS	PA 12	N/A	YE	2M/TPU	A	1	A4
Bi1.5U-EG08-AP6X 4600500	Uprox	1.5	3-wire DC PNP	10-30 VDC	2000	≤150	-30 to +85	IP68	SS	PA 12	N/A	YE	2M/TPU	A	2	A4
Bi1.5-EG08-AN6X 4602340		1.5	3-wire DC NPN	10-30 VDC	3000	≤150	-25 to +70	IP67	SS	PA 12	N/A	YE	2M/TPU	A	1	A4
Bi1.5-EG08-AN7X 1766110	TTL Compatible	1.5	3-wire DC NPN	10-30 VDC	3000	≤150	-25 to +70	IP67	SS	PA 12	N/A	YE	2M/TPU	A	1	A4
Bi1.5-EG08-AP6X 4602240		1.5	3-wire DC PNP	10-30 VDC	3000	≤150	-25 to +70	IP67	SS	PA 12	N/A	YE	2M/TPU	A	2	A4
Bi1.5-G08-AN6X 46023		1.5	3-wire DC NPN	10-30 VDC	3000	≤150	-25 to +70	IP67	SS	PA 12	N/A	YE	2M/TPU	C	1	A4
Bi1.5-G08-AP6X 46022		1.5	3-wire DC PNP	10-30 VDC	3000	≤150	-25 to +70	IP67	SS	PA 12	N/A	YE	2M/TPU	C	2	A4


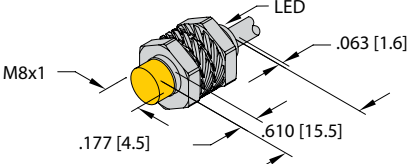
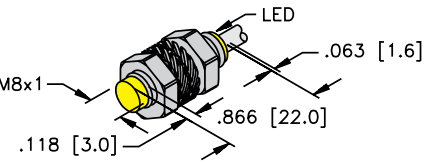
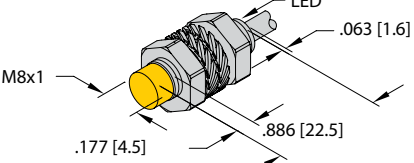
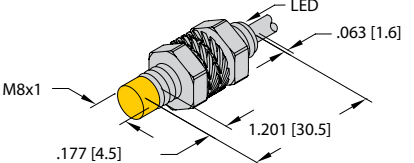
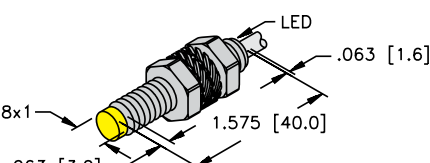
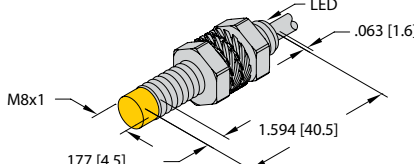
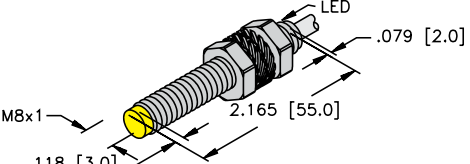
We reserve the right to make technical alterations without prior notice.

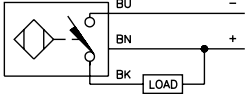
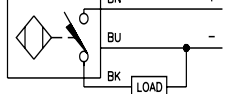
Inductive Barrel Sensors



Inductive Barrel Sensors | 8 mm

Nonembeddable Threaded Metal Barrels with Cable and DC Outputs

Housing Style	Dimension Drawings	
	<p>A</p>  <p>8 mm - Nonembeddable, Miniature Threaded Barrel, Potted-In Cable</p>	<p>B</p>  <p>8 mm - Nonembeddable, Miniature Threaded Barrel, Potted-In Cable</p>
<p>C</p>  <p>8 mm - Nonembeddable, Miniature Threaded Barrel, Potted-In Cable</p>	<p>D</p>  <p>8 mm - Nonembeddable, Miniature Threaded Barrel, Potted-In Cable</p>	<p>E</p>  <p>8 mm - Nonembeddable, Miniature Threaded Barrel, Potted-In Cable</p>
<p>F</p>  <p>8 mm - Nonembeddable, Miniature Threaded Barrel, Potted-In Cable</p>	<p>G</p>  <p>8 mm - Nonembeddable, Miniature Threaded Barrel, Potted-In Cable</p>	

Wiring Diagrams/Mating Cordsets	
<p>1</p> 	<p>2</p> 

A4 3 and 4-wire DC - (AN, RN, AP, RP, VN, VP)	
<p>Ripple: $\leq 10\%$</p> <p>Differential Travel (Hysteresis): 3-15% (5% typical)</p> <p>Voltage Drop Across Conducting Sensor: $\leq 1.8\text{ V}$</p> <p>Trigger Current for Short Circuit Protection:</p> <ul style="list-style-type: none"> $\geq 220\text{ mA}$ on 200 mA Load Current $\geq 170\text{ mA}$ on 150 mA Load Current $\geq 120\text{ mA}$ on 100 mA Load Current <p>Off-State (Leakage) Current: $\leq 0.1\text{ mA}$</p> <p>No-Load Current:</p> <ul style="list-style-type: none"> $\leq 15\text{ mA}$ (Ferrite, Uprox) $\leq 20\text{ mA}$ (Uprox+, Uprox3) 	<p>Time Delay Before Availability: $\leq 8\text{ ms}$</p> <p>Power-On Effect: Per IEC 947-5-2</p> <p>Reverse Polarity Protection: Incorporated</p> <p>Wire-Break Protection: Incorporated</p> <p>Transient Protection: Per EN 60947-5-2</p> <p>Temperature Drift: $\leq \pm 10\%$</p> <p>Shock: 30 g, 11 ms</p> <p>Vibration: 55 Hz, 1 mm Amplitude in all 3 Planes</p> <p>Repeatability: $\leq 2\%$ of Rated Operating Distance</p>

We reserve the right to make technical alterations without prior notice.



Inductive Barrel Sensors | 8 mm

Nonembeddable Threaded Metal Barrels with Cable and DC Outputs

Part Number/ ID Number	Features	Sensing Range (mm)	Output	Voltage	Switching Freq. (Hz)	Operating Current (mA)	Operating Temp. (°C)	Protection	Housing	Face	Power LED	Output LED	Cable Length/Jacket	Dimension Drawings	Wiring Diagrams	Spec List
Ni6U-EG08-AN6X 4635803	Uprox+	6	3-wire DC NPN	10-30 VDC	1000	≤150	0 to +70	IP68	SS	LCP	N/A	YE	2M/TPU	E	1	A4
Ni6U-EG08-AP6X 4635800	Uprox+	6	3-wire DC PNP	10-30 VDC	1000	≤150	0 to +70	IP68	SS	LCP	N/A	YE	2M/TPU	E	2	A4
Ni5-M08-AN6X 4602923		5	3-wire DC NPN	10-30 VDC	2800	≤150	-25 to +70	IP67	CPB	PP-GF20	N/A	YE	2M/TPU	D	1	A4
Ni5-M08-AP6X 4602920		5	3-wire DC PNP	10-30 VDC	2800	≤150	-25 to +70	IP67	CPB	PP-GF20	N/A	YE	2M/TPU	D	2	A4
Ni5-M08KK-AN6X 4602948	Short Barrel	5	3-wire DC NPN	10-30 VDC	2800	≤150	-25 to +70	IP67	CPB	PP-GF20	N/A	YE	2M/TPU	A	1	A4
Ni5-M08KK-AP6X 4602944	Short Barrel	5	3-wire DC PNP	10-30 VDC	2800	≤150	-25 to +70	IP67	CPB	PP-GF20	N/A	YE	2M/TPU	A	2	A4
Ni4U-EG08-AN6X 4600610	Uprox	4	3-wire DC NPN	10-30 VDC	2000	≤150	-30 to +85	IP68	SS	PA 12	N/A	YE	2M/TPU	E	1	A4
Ni4U-EG08-AP6X 4600600	Uprox	4	3-wire DC PNP	10-30 VDC	2000	≤150	-30 to +85	IP68	SS	PA 12	N/A	YE	2M/TPU	E	2	A4
Ni3-EG08-AN6X 4602840		3	3-wire DC NPN	10-30 VDC	3000	≤150	-25 to +70	IP67	SS	PA 12	N/A	YE	2M/TPU	E	1	A4
Ni3-EG08-AN6X/S1589 4602888	Weldguard	3	3-wire DC NPN	10-30 VDC	3000	≤150	-25 to +70	IP67	SS	WG	N/A	YE	2M/TPU	E	1	A4
Ni3-EG08-AN7X 4669759	TTL Compatible	3	3-wire DC NPN	10-30 VDC	2000	≤150	-25 to +70	IP67	SS	PA 12	N/A	YE	2M/TPU	E	1	A4
Ni3-EG08-AP6X 4602740		3	3-wire DC PNP	10-30 VDC	3000	≤150	-25 to +70	IP67	SS	PA 12	N/A	YE	2M/TPU	E	2	A4
Ni3-EG08-AP6X/S1589 4602789	Weldguard	3	3-wire DC PNP	10-30 VDC	3000	≤150	-25 to +70	IP67	SS	WG	N/A	YE	2M/TPU	E	2	A4
Ni3-EG08K-AN6X 4669700		3	3-wire DC NPN	10-30 VDC	3000	≤150	-25 to +70	IP67	SS	PA 12	N/A	YE	2M/TPU	B	1	A4
Ni3-EG08K-AP6X 4669600		3	3-wire DC PNP	10-30 VDC	3000	≤150	-25 to +70	IP67	SS	PA 12	N/A	YE	2M/TPU	B	2	A4
Ni3-G08-AN6X 46028		3	3-wire DC NPN	10-30 VDC	2000	≤150	-25 to +70	IP67	SS	PA 12	N/A	YE	2M/TPU	G	1	A4
Ni3-G08-AP6X 46027		3	3-wire DC PNP	10-30 VDC	2000	≤150	-25 to +70	IP67	SS	PA 12	N/A	YE	2M/TPU	G	2	A4
Ni3-M08E-AN6X 4602831		3	3-wire DC NPN	10-30 VDC	2800	≤150	-25 to +70	IP67	CPB	PP-GF20	N/A	YE	2M/TPU	F	1	A4
Ni3-M08E-AP6X 4602834		3	3-wire DC PNP	10-30 VDC	2800	≤150	-25 to +70	IP67	CPB	PP-GF20	N/A	YE	2M/TPU	F	2	A4
Ni3-M08K-AN6X 4602847		3	3-wire DC NPN	10-30 VDC	2800	≤150	-25 to +70	IP67	CPB	PP-GF20	N/A	YE	2M/TPU	C	1	A4
Ni3-M08K-AP6X 4602851		3	3-wire DC PNP	10-30 VDC	2800	≤150	-25 to +70	IP67	CPB	PP-GF20	N/A	YE	2M/TPU	C	2	A4
Ni2-G08-AN6X 4601300		2	3-wire DC NPN	10-30 VDC	2000	≤150	-25 to +70	IP67	SS	PA 12	N/A	YE	2M/TPU	G	1	A4
Ni2-G08-AP6X 46012		2	3-wire DC PNP	10-30 VDC	2000	≤150	-25 to +70	IP67	SS	PA 12	N/A	YE	2M/TPU	G	2	A4


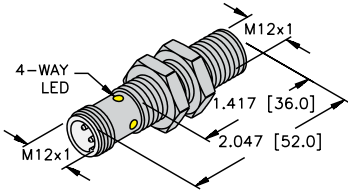
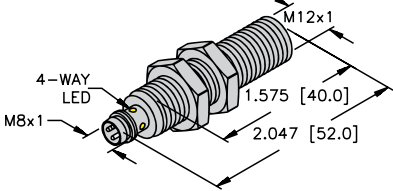
We reserve the right to make technical alterations without prior notice.

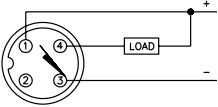
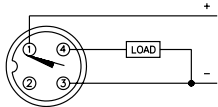
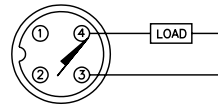
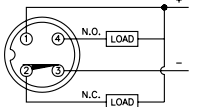
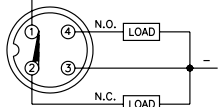
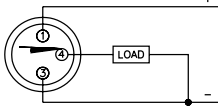
Inductive Barrel Sensors



Inductive Barrel Sensors | 12 mm

Embeddable Threaded Metal Barrels with Connector and DC Outputs

Housing Style	Dimension Drawings	
	<p>A</p>  <p>12 mm - Embeddable, M12 Eurofast Connection</p>	<p>B</p>  <p>12 mm - Embeddable, M8 Picofast Connection</p>

Wiring Diagrams/Mating Cordsets		
<p>1</p>  <p>Mating Cordset: RK 4T-*; RKV 4T-*</p>	<p>2</p>  <p>Mating Cordset: RK 4T-*; RKV 4T-*</p>	<p>3</p>  <p>Mating Cordset: RK 4.2T-*</p>
<p>4</p>  <p>Mating Cordset: RK 4.4T-*</p>	<p>5</p>  <p>Mating Cordset: RK 4.4T-*; RKV 4.4T-*</p>	<p>6</p>  <p>Mating Cordset: PKG 3M-*</p>

A2	2-wire DC - (AD, RD, AG)	
<p>Ripple: $\leq 10\%$</p> <p>Differential Travel (Hysteresis): 3-15% (5% typical)</p> <p>Voltage Drop Across Conducting Sensor: Non-polarized (AD) $< 5.0\text{ V}$ Polarized (AG) $\leq 4.2\text{ V}$</p> <p>Trigger Current for Short Circuit Protection: $\geq 120\text{ mA}$</p> <p>Minimum Load Current: $\geq 3.0\text{ mA}$</p>	<p>Off-State (Leakage) Current: $\leq 0.8\text{ mA}$</p> <p>Power-On Effect: Per IEC 947-5-2</p> <p>Transient Protection: Per EN 60947-5-2</p> <p>Shock: 30 g, 11 ms</p> <p>Vibration: 55 Hz, 1 mm Amplitude in all 3 Planes</p> <p>Repeatability: $\leq 2\%$ of Rated Operating Distance</p>	
A4	3 and 4-wire DC - (AN, RN, AP, RP, VN, VP)	
<p>Ripple: $\leq 10\%$</p> <p>Differential Travel (Hysteresis): 3-15% (5% typical)</p> <p>Voltage Drop Across Conducting Sensor: $\leq 1.8\text{ V}$</p> <p>Trigger Current for Short Circuit Protection: $\geq 220\text{ mA}$ on 200 mA Load Current $\geq 170\text{ mA}$ on 150 mA Load Current $\geq 120\text{ mA}$ on 100 mA Load Current</p> <p>Off-State (Leakage) Current: $\leq 0.1\text{ mA}$</p> <p>No-Load Current: $\leq 15\text{ mA}$ (Ferrite, Uprox) $\leq 20\text{ mA}$ (Uprox+, Uprox3)</p>	<p>Time Delay Before Availability: $\leq 8\text{ ms}$</p> <p>Power-On Effect: Per IEC 947-5-2</p> <p>Reverse Polarity Protection: Incorporated</p> <p>Wire-Break Protection: Incorporated</p> <p>Transient Protection: Per EN 60947-5-2</p> <p>Temperature Drift: $\leq \pm 10\%$</p> <p>Shock: 30 g, 11 ms</p> <p>Vibration: 55 Hz, 1 mm Amplitude in all 3 Planes</p> <p>Repeatability: $\leq 2\%$ of Rated Operating Distance</p>	

We reserve the right to make technical alterations without prior notice.



Inductive Barrel Sensors | 12 mm

Embeddable Threaded Metal Barrels with Connector and DC Outputs

Part Number/ ID Number	Features	Sensing Range (mm)	Output	Voltage	Switching Freq. (Hz)	Operating Current (mA)	Operating Temp. (°C)	Protection	Housing	Face	Power LED	Output LED	Dimension Drawings	Wiring Diagrams	Spec List
Bi6U-M12-AN6X-H1141 1644808	Uprox3	6	3-wire DC NPN	10-30 VDC	2000	≤200	-25 to +70	IP68	CPB	LCP	N/A	YE	A	1	A4
Bi6U-M12-AP6X-H1141 1644810	Uprox3	6	3-wire DC PNP	10-30 VDC	2000	≤200	-25 to +70	IP68	CPB	LCP	N/A	YE	A	2	A4
Bi6U-M12-VP6X-H1141 1644805	Uprox3, Comp. Outputs	6	4-wire DC PNP	10-30 VDC	2000	≤200	-25 to +70	IP68	CPB	LCP	N/A	YE	A	5	A4
Bi4U-EM12-AN6X-H1141 1634827	Uprox+	4	3-wire DC NPN	10-30 VDC	2000	≤200	-30 to +85	IP68	SS	LCP	N/A	YE	A	1	A4
Bi4U-M12-AN6X-H1141 1634824	Uprox+	4	3-wire DC NPN	10-30 VDC	2000	≤200	-30 to +85	IP68	CPB	LCP	N/A	YE	A	1	A4
Bi4U-EM12-AP6X-H1141 1634807	Uprox+	4	3-wire DC PNP	10-30 VDC	2000	≤200	-30 to +85	IP68	SS	LCP	N/A	YE	A	2	A4
Bi4U-M12-AP6X-H1141 1634804	Uprox+	4	3-wire DC PNP	10-30 VDC	2000	≤200	-30 to +85	IP68	CPB	LCP	N/A	YE	A	2	A4
Bi4U-M12-AP6X-V1131 1634780	Uprox+	4	3-wire DC PNP	10-30 VDC	2000	≤200	-30 to +85	IP68	CPB	LCP	N/A	YE	B	6	A4
Bi4-M12-AN6X-H1141 4607100	Extended Range	4	3-wire DC NPN	10-30 VDC	2000	≤200	-25 to +70	IP67	CPB	PA 12	N/A	YE	A	1	A4
Bi4-M12-AP6X-H1141 46070	Extended Range	4	3-wire DC PNP	10-30 VDC	2000	≤200	-25 to +70	IP67	CPB	PA 12	N/A	YE	A	2	A4
Bi4-M12-VN6X-H1141 1643200	Ext. Range, Comp. Outputs	4	4-wire DC NPN	10-30 VDC	2000	≤200	-25 to +70	IP67	CPB	PA 12	N/A	YE	A	4	A4
Bi4-M12-VP6X-H1141 1633200	Ext. Range, Comp. Outputs	4	4-wire DC PNP	10-30 VDC	2000	≤200	-25 to +70	IP67	CPB	PA 12	N/A	YE	A	5	A4
Bi4-EM12-VP6X-H1141 1633201	Ext. Range, Comp. Outputs	4	4-wire DC PNP	10-30 VDC	2000	≤200	-25 to +70	IP67	SS	PA 12	N/A	YE	A	5	A4
Bi3U-EM12-AN6X-H1141 1634350	Uprox	3	3-wire DC NPN	10-30 VDC	3000	≤200	-30 to +85	IP68	SS	PA 12	N/A	YE	A	1	A4
Bi3U-M12-AN6X-H1141 1634150	Uprox	3	3-wire DC NPN	10-30 VDC	3000	≤200	-30 to +85	IP67	CPB	PA 12	N/A	YE	A	1	A4
Bi3U-EM12-AP6X-H1141 1634340	Uprox	3	3-wire DC PNP	10-30 VDC	3000	≤200	-30 to +85	IP68	SS	PA 12	N/A	YE	A	2	A4
Bi3U-M12-AP6X-H1141 1634140	Uprox	3	3-wire DC PNP	10-30 VDC	3000	≤200	-30 to +85	IP67	CPB	PA 12	N/A	YE	A	2	A4
Bi3-M12-AD4X-H1141 4405041		3	2-wire DC	10-65 VDC	1000	≤100	-25 to +70	IP67	CPB	PA 12	N/A	YE	A	3	A2
Bi2-M12-AD4X-H1141 44065		2	2-wire DC	10-65 VDC	1000	≤100	-25 to +70	IP67	CPB	PA 12	N/A	YE	A	3	A2
Bi2-EM12-AN6X-H1141 4606601		2	3-wire DC NPN	10-30 VDC	2000	≤200	-25 to +70	IP67	SS	PA 12	N/A	YE	A	1	A4
Bi2-M12-AN6X-H1141 46066		2	3-wire DC NPN	10-30 VDC	2000	≤200	-25 to +70	IP67	CPB	PA 12	N/A	YE	A	1	A4
Bi2-EM12-AP6X-H1141 4606501		2	3-wire DC PNP	10-30 VDC	2000	≤200	-25 to +70	IP67	SS	PA 12	N/A	YE	A	2	A4
Bi2-M12-AP6X-H1141 46065		2	3-wire DC PNP	10-30 VDC	2000	≤200	-25 to +70	IP67	CPB	PA 12	N/A	YE	A	2	A4
Bi2-M12-VN6X-H1141 16430	Comp. Outputs	2	4-wire DC NPN	10-30 VDC	2000	≤200	-25 to +70	IP67	CPB	PA 12	N/A	YE	A	4	A4
Bi2-M12-VP6X-H1141 16330	Comp. Outputs	2	4-wire DC PNP	10-30 VDC	2000	≤200	-25 to +70	IP67	CPB	PA 12	N/A	YE	A	5	A4

We reserve the right to make technical alterations without prior notice.

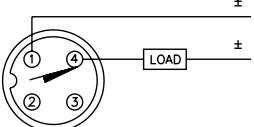
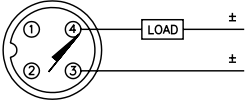
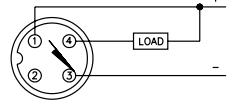
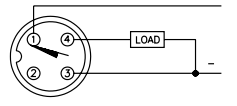
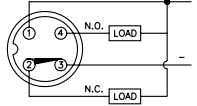
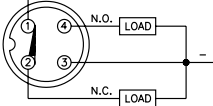
Inductive Barrel Sensors



Inductive Barrel Sensors | 12 mm

Embeddable Threaded Metal Barrels with Connector and DC Outputs

Housing Style	Dimension Drawings
	<p data-bbox="808 310 824 331">A</p>  <p data-bbox="873 546 1429 567">12 mm - Embeddable, M12 Eurofast Connection, Extended Barrel Length</p>

Wiring Diagrams/Mating Cordsets	
<p data-bbox="105 640 121 661">1</p>  <p data-bbox="341 777 560 798">Mating Cordset: RK 4.23T-*</p>	<p data-bbox="808 640 824 661">2</p>  <p data-bbox="1047 777 1250 798">Mating Cordset: RK 4.2T-*</p>
<p data-bbox="105 823 121 844">3</p>  <p data-bbox="292 955 609 976">Mating Cordset: RK 4T-*, RKC 4T-*/S1587</p>	<p data-bbox="808 823 824 844">4</p>  <p data-bbox="998 955 1307 976">Mating Cordset: RK 4T-*, RKC 4T-*/S1587</p>
<p data-bbox="105 1005 121 1026">5</p>  <p data-bbox="349 1138 552 1159">Mating Cordset: RK 4.4T-*</p>	<p data-bbox="808 1005 824 1026">6</p>  <p data-bbox="1047 1138 1250 1159">Mating Cordset: RK 4.4T-*</p>

A2 2-wire DC - (AD, RD, AG)	
<p data-bbox="397 1234 544 1255">Ripple: $\leq 10\%$</p> <p data-bbox="219 1262 641 1283">Differential Travel (Hysteresis): 3-15% (5% typical)</p> <p data-bbox="138 1289 706 1310">Voltage Drop Across Conducting Sensor: Non-polarized (AD) $< 5.0\text{ V}$</p> <p data-bbox="332 1316 673 1337">Polarized (AG) $\leq 4.2\text{ V}$</p> <p data-bbox="113 1344 568 1365">Trigger Current for Short Circuit Protection: $\geq 120\text{ mA}$</p> <p data-bbox="267 1371 568 1392">Minimum Load Current: $\geq 3.0\text{ mA}$</p>	<p data-bbox="909 1234 1242 1255">Off-State (Leakage) Current: $\leq 0.8\text{ mA}$</p> <p data-bbox="998 1262 1291 1283">Power-On Effect: Per IEC 947-5-2</p> <p data-bbox="966 1289 1307 1310">Transient Protection: Per EN 60947-5-2</p> <p data-bbox="1079 1316 1258 1337">Shock: 30 g, 11 ms</p> <p data-bbox="1055 1344 1469 1365">Vibration: 55 Hz, 1 mm Amplitude in all 3 Planes</p> <p data-bbox="1023 1371 1437 1392">Repeatability: $\leq 2\%$ of Rated Operating Distance</p>
A4 3 and 4-wire DC - (AN, RN, AP, RP, VN, VP)	
<p data-bbox="397 1459 544 1480">Ripple: $\leq 10\%$</p> <p data-bbox="219 1486 641 1507">Differential Travel (Hysteresis): 3-15% (5% typical)</p> <p data-bbox="138 1514 544 1535">Voltage Drop Across Conducting Sensor: $\leq 1.8\text{ V}$</p> <p data-bbox="113 1541 771 1562">Trigger Current for Short Circuit Protection: $\geq 220\text{ mA}$ on 200 mA Load Current</p> <p data-bbox="235 1568 771 1589">$\geq 170\text{ mA}$ on 150 mA Load Current</p> <p data-bbox="235 1596 771 1617">$\geq 120\text{ mA}$ on 100 mA Load Current</p> <p data-bbox="235 1623 560 1644">Off-State (Leakage) Current: $\leq 0.1\text{ mA}$</p> <p data-bbox="316 1650 682 1671">No-Load Current: $\leq 15\text{ mA}$ (Ferrite, Uprox)</p> <p data-bbox="324 1680 698 1701">$\leq 20\text{ mA}$ (Uprox+, Uprox3)</p>	<p data-bbox="893 1459 1218 1480">Time Delay Before Availability: $\leq 8\text{ ms}$</p> <p data-bbox="998 1486 1291 1507">Power-On Effect: Per IEC 947-5-2</p> <p data-bbox="917 1514 1274 1535">Reverse Polarity Protection: Incorporated</p> <p data-bbox="958 1541 1274 1562">Wire-Break Protection: Incorporated</p> <p data-bbox="966 1568 1307 1589">Transient Protection: Per EN 60947-5-2</p> <p data-bbox="982 1596 1226 1617">Temperature Drift: $\leq \pm 10\%$</p> <p data-bbox="1079 1623 1258 1644">Shock: 30 g, 11 ms</p> <p data-bbox="1055 1650 1469 1671">Vibration: 55 Hz, 1 mm Amplitude in all 3 Planes</p> <p data-bbox="1023 1680 1437 1701">Repeatability: $\leq 2\%$ of Rated Operating Distance</p>

We reserve the right to make technical alterations without prior notice.



Inductive Barrel Sensors | 12 mm

Embeddable Threaded Metal Barrels with Connector and DC Outputs

Part Number/ ID Number	Features	Sensing Range (mm)	Output	Voltage	Switching Freq. (Hz)	Operating Current (mA)	Operating Temp. (°C)	Protection	Housing	Face	Power LED	Output LED	Dimension Drawings	Wiring Diagrams	Spec List
Bi4-M12E-AN6X-H1141 4607193	Extended Range	4	3-wire DC NPN	10-30 VDC	2000	≤200	-25 to +70	IP67	CPB	PA 12	N/A	YE	A	3	A4
Bi4-EM12E-AN6X-H1141/S1589 4607185	Ext. Range, Weldguard	4	3-wire DC NPN	10-30 VDC	2000	≤200	-25 to +70	IP67	SS	WG	N/A	YE	A	3	A4
Bi4-M12E-AP6X-H1141 4608030	Extended Range	4	3-wire DC PNP	10-30 VDC	2000	≤200	-25 to +70	IP67	CPB	PA 12	N/A	YE	A	4	A4
Bi4-EM12E-AP6X-H1141/S1589 4607184	Ext. Range, Weldguard	4	3-wire DC PNP	10-30 VDC	2000	≤200	-25 to +70	IP67	SS	WG	N/A	YE	A	4	A4
Bi4-M12E-VN6X-H1141 1643201	Extended Range	4	4-wire DC NPN	10-30 VDC	2000	≤200	-25 to +70	IP67	CPB	PA 12	N/A	YE	A	5	A4
Bi4-M12E-VP6X-H1141 4608092	Extended Range	4	4-wire DC PNP	10-30 VDC	2000	≤200	-25 to +70	IP67	CPB	PA 12	N/A	YE	A	6	A4
Bi3U-EM12E-AN6X-H1141 1634351	Uprox	3	3-wire DC NPN	10-30 VDC	3000	≤200	-30 to +85	IP68	SS	PA 12	N/A	YE	A	3	A4
Bi3U-EM12HE-AN6X2-H1141 1634311	Uprox, Stoneface	3	3-wire DC NPN	10-30 VDC	3000	≤200	-30 to +85	IP68	SS	PA 12	GN	YE	A	3	A4
Bi3U-EM12E-AN6X2-H1141/S1589 1634397	Uprox, Weldguard	3	3-wire DC NPN	10-30 VDC	3000	≤200	-30 to +85	IP68	SS	WG	GN	YE	A	3	A4
Bi3U-M12E-AP6X-H1141 1634148	Uprox	3	3-wire DC PNP	10-30 VDC	3000	≤200	-30 to +85	IP67	CPB	PA 12	N/A	YE	A	4	A4
Bi3U-EM12HE-AP6X2-H1141 1634310	Uprox, Stoneface	3	3-wire DC PNP	10-30 VDC	3000	≤200	-30 to +85	IP68	SS	SF	GN	YE	A	4	A4
Bi3U-EM12E-AP6X2-H1141/S1589 1634398	Uprox, Weldguard	3	3-wire DC PNP	10-30 VDC	3000	≤200	-30 to +85	IP68	SS	WG	GN	YE	A	4	A4
Bi3U-M12E-AN6X-H1141 1634151	Uprox	3	3-wire DC NPN	10-30 VDC	3000	≤200	-30 to +85	IP67	CPB	PA 12	N/A	YE	A	3	A4
Bi3U-EM12E-AP6X-H1141 1634343	Uprox	3	3-wire DC PNP	10-30 VDC	3000	≤200	-30 to +85	IP68	SS	PA 12	N/A	YE	A	4	A4
Bi3U-M12E-VN4X-H1141 1580354	Uprox	3	4-wire DC NPN	10-30 VDC	3000	≤200	-30 to +85	IP67	CPB	PA 12	N/A	YE	A	5	A4
Bi3U-M12E-VP4X-H1141 1580252	Uprox	3	4-wire DC PNP	10-30 VDC	3000	≤200	-30 to +85	IP67	CPB	PA 12	N/A	YE	A	6	A4
Bi3-M12E-AD4X-H1141 4405080		3	2-wire DC	10-65 VDC	1000	≤100	-25 to +70	IP67	CPB	PA 12	N/A	YE	A	2	A2
Bi2U-M12E-AD4X-H1144 4405060	Uprox	2	2-wire DC	10-65 VDC	1000	≤100	-30 to +85	IP68	CPB	LCP	N/A	YE	A	1	A2
Bi2-M12E-AN6X-H1141 4606602		2	3-wire DC NPN	10-30 VDC	2000	≤200	-25 to +70	IP67	CPB	PA 12	N/A	YE	A	3	A4

We reserve the right to make technical alterations without prior notice.

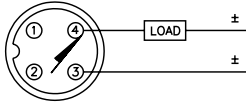
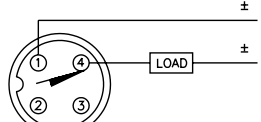
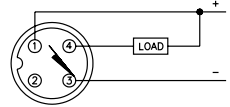
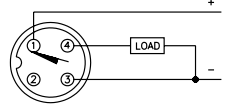
Inductive Barrel Sensors



Inductive Barrel Sensors | 12 mm

Embeddable Threaded PTFE Coated Metal Barrels with Connector and DC Outputs

Housing Style	Dimension Drawings
	<p data-bbox="808 310 824 331">A</p>  <p data-bbox="880 548 1421 569">12 mm - Embeddable, M12 Eurofast Connection, PTFE Coated Sensors</p>

Wiring Diagrams s/Mating Cordset	
<p data-bbox="105 642 121 663">1</p>  <p data-bbox="349 785 544 806">Mating Cordset: RK 4.2T-*</p>	<p data-bbox="808 642 824 663">2</p>  <p data-bbox="1047 785 1242 806">Mating Cordset: RK 4.23T-*</p>
<p data-bbox="105 821 121 842">3</p>  <p data-bbox="292 968 600 989">Mating Cordset: RK 4T-*, RKC 4T-*/S1587</p>	<p data-bbox="808 821 824 842">4</p>  <p data-bbox="998 968 1307 989">Mating Cordset: RK 4T-*, RKC 4T-*/S1587</p>

A2	2-wire DC - (AD, RD, AG)	
<p data-bbox="402 1062 540 1083">Ripple: $\leq 10\%$</p> <p data-bbox="219 1094 643 1115">Differential Travel (Hysteresis): 3-15% (5% typical)</p> <p data-bbox="134 1125 703 1167">Voltage Drop Across Conducting Sensor: Non-polarized (AD) $< 5.0\text{ V}$ Polarized (AG) $\leq 4.2\text{ V}$</p> <p data-bbox="110 1178 565 1199">Trigger Current for Short Circuit Protection: $\geq 120\text{ mA}$</p> <p data-bbox="267 1209 557 1230">Minimum Load Current: $\geq 3.0\text{ mA}$</p>	<p data-bbox="911 1062 1235 1083">Off-State (Leakage) Current: $\leq 0.8\text{ mA}$</p> <p data-bbox="1000 1094 1292 1115">Power-On Effect: Per IEC 947-5-2</p> <p data-bbox="967 1125 1308 1146">Transient Protection: Per EN 60947-5-2</p> <p data-bbox="1081 1157 1260 1178">Shock: 30 g, 11 ms</p> <p data-bbox="1057 1188 1471 1209">Vibration: 55 Hz, 1 mm Amplitude in all 3 Planes</p> <p data-bbox="1024 1220 1438 1241">Repeatability: $\leq 2\%$ of Rated Operating Distance</p>	
A4	3 and 4-wire DC - (AN, RN, AP, RP, VN, VP)	
<p data-bbox="402 1289 540 1310">Ripple: $\leq 10\%$</p> <p data-bbox="219 1320 643 1341">Differential Travel (Hysteresis): 3-15% (5% typical)</p> <p data-bbox="134 1352 540 1373">Voltage Drop Across Conducting Sensor: $\leq 1.8\text{ V}$</p> <p data-bbox="110 1383 768 1457">Trigger Current for Short Circuit Protection: $\geq 220\text{ mA}$ on 200 mA Load Current $\geq 170\text{ mA}$ on 150 mA Load Current $\geq 120\text{ mA}$ on 100 mA Load Current</p> <p data-bbox="235 1467 557 1488">Off-State (Leakage) Current: $\leq 0.1\text{ mA}$</p> <p data-bbox="321 1499 686 1541">No-Load Current: $\leq 15\text{ mA}$ (Ferrite, Uprox) $\leq 20\text{ mA}$ (Uprox+, Uprox3)</p>	<p data-bbox="889 1289 1219 1310">Time Delay Before Availability: $\leq 8\text{ ms}$</p> <p data-bbox="1000 1320 1292 1341">Power-On Effect: Per IEC 947-5-2</p> <p data-bbox="914 1352 1276 1373">Reverse Polarity Protection: Incorporated</p> <p data-bbox="954 1383 1276 1404">Wire-Break Protection: Incorporated</p> <p data-bbox="967 1415 1308 1436">Transient Protection: Per EN 60947-5-2</p> <p data-bbox="984 1446 1227 1467">Temperature Drift: $\leq \pm 10\%$</p> <p data-bbox="1081 1478 1260 1499">Shock: 30 g, 11 ms</p> <p data-bbox="1057 1509 1471 1530">Vibration: 55 Hz, 1 mm Amplitude in all 3 Planes</p> <p data-bbox="1024 1541 1438 1562">Repeatability: $\leq 2\%$ of Rated Operating Distance</p>	

We reserve the right to make technical alterations without prior notice.



Inductive Barrel Sensors | 12 mm

Embeddable Threaded PTFE Coated Metal Barrels with Connector and DC Outputs

Part Number/ ID Number	Features	Sensing Range (mm)	Output	Voltage	Switching Freq. (Hz)	Operating Current (mA)	Operating Temp. (°C)	Protection	Housing	Face	Power LED	Output LED	Dimension Drawings	Wiring Diagrams	Spec List
Bi6U-MT12-AN6X-H1141 1644858	Uprox3, PTFE	6	3-wire DC NPN	10-30 VDC	2000	≤200	-25 to +70	IP68	TC	TC	N/A	YE	A	3	A4
Bi6U-MT12-AP6X-H1141 1644831	Uprox3, PTFE	6	3-wire DC PNP	10-30 VDC	2000	≤200	-25 to +70	IP68	TC	TC	N/A	YE	A	4	A4
Bi6U-MT12-AP6X2-H1141 1644904	Uprox3, PTFE	6	3-wire DC PNP	10-30 VDC	2000	≤200	-25 to +70	IP68	TC	TC	GN	YE	A	4	A4
Bi4U-MT12-AN6X-H1141 1634829	Uprox+, PTFE	4	3-wire DC NPN	10-30 VDC	2000	≤200	-30 to +85	IP68	TC	TC	N/A	YE	A	3	A4
Bi4U-MT12-AN6X-H1141/S1589 16348290	Uprox+, PTFE, Weldguard	4	3-wire DC NPN	10-30 VDC	2000	≤200	-30 to +85	IP68	TC	WG	N/A	YE	A	3	A4
Bi4U-MT12-AP6X-H1141 1634809	Uprox+, PTFE	4	3-wire DC PNP	10-30 VDC	2000	≤200	-30 to +85	IP68	TC	TC	N/A	YE	A	4	A4
Bi4-MT12H-AN6X-H1141 4607194	Ext. Range, PTFE, Stoneface	4	3-wire DC NPN	10-30 VDC	2000	≤200	-25 to +70	IP67	TC	SF	N/A	YE	A	3	A4
Bi4-MT12-AN6X-H1141/S1589 4607188	Ext. Range, PTFE, Weldguard	4	3-wire DC NPN	10-30 VDC	2000	≤200	-25 to +70	IP67	TC	WG	N/A	YE	A	3	A4
Bi4-MT12H-AP6X-H1141 4607093	Ext. Range, PTFE, Stoneface	4	3-wire DC PNP	10-30 VDC	2000	≤200	-25 to +70	IP67	TC	SF	N/A	YE	A	4	A4
Bi4-MT12-AP6X-H1141/S1589 4607099	Ext. Range, PTFE, Weldguard	4	3-wire DC PNP	10-30 VDC	2000	≤200	-25 to +70	IP67	TC	WG	N/A	YE	A	4	A4
Bi3U-MT12-AN6X-H1141 1634250	Uprox, PTFE	3	3-wire DC NPN	10-30 VDC	3000	≤200	-30 to +85	IP67	TC	TC	N/A	YE	A	3	A4
Bi3U-MT12-AP6X-H1141 1634240	Uprox, PTFE	3	3-wire DC PNP	10-30 VDC	3000	≤200	-30 to +85	IP67	TC	TC	N/A	YE	A	4	A4
Bi3U-MT12-AP6X2-H1141 1634245	Uprox, PTFE	3	3-wire DC PNP	10-30 VDC	3000	≤200	-30 to +85	IP67	TC	TC	GN	YE	A	4	A4
Bi3U-MT12H-AP6X-H1141 1634212	Uprox, PTFE, Stoneface	3	3-wire DC PNP	10-30 VDC	3000	≤200	-30 to +85	IP67	TC	TC	N/A	YE	A	4	A4
Bi3U-MT12-AP6X2-H1141/S1589 1634293	Uprox, PTFE, Weldguard	3	3-wire DC PNP	10-30 VDC	3000	≤200	-30 to +85	IP67	TC	WG	GN	YE	A	4	A4
Bi3-MT12-AD4X-H1141/S1589 4405082	PTFE, Weldguard	3	2-wire DC	10-65 VDC	1000	≤100	-25 to +70	IP67	TC	WG	N/A	YE	A	1	A2
Bi3-MT12-AD4X-H1144/S1589 4405084	PTFE, Weldguard	3	2-wire DC	10-65 VDC	1000	≤100	-25 to +70	IP67	TC	WG	N/A	YE	A	2	A2

We reserve the right to make technical alterations without prior notice.

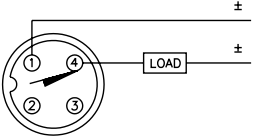
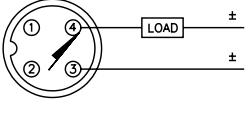
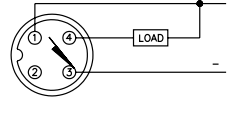
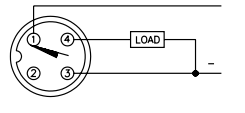
Inductive Barrel Sensors



Inductive Barrel Sensors | 12 mm

Embeddable Threaded PTFE Coated Metal Barrels with Connector and DC Outputs

Housing Style	Dimension Drawings
	<p data-bbox="808 310 824 331">A</p>  <p data-bbox="868 525 1437 567">12 mm - Embeddable, M12 Eurofast Connection, Extended Barrel Length, PTFE Coated Sensors</p>

Wiring Diagrams/Mating Cordset	
<p data-bbox="105 640 121 661">1</p>  <p data-bbox="341 787 560 808">Mating Cordset: RK 4.23T-*</p>	<p data-bbox="808 640 824 661">2</p>  <p data-bbox="1047 787 1258 808">Mating Cordset: RK 4.2T-*</p>
<p data-bbox="105 823 121 844">3</p>  <p data-bbox="292 961 609 982">Mating Cordset: RK 4T-*, RKC 4T-*/S1587</p>	<p data-bbox="808 823 824 844">4</p>  <p data-bbox="998 961 1307 982">Mating Cordset: RK 4T-*, RKC 4T-*/S1587</p>

A2	2-wire DC - (AD, RD, AG)	
<p data-bbox="397 1054 535 1075">Ripple: $\leq 10\%$</p> <p data-bbox="211 1081 641 1102">Differential Travel (Hysteresis): 3-15% (5% typical)</p> <p data-bbox="129 1108 698 1134">Voltage Drop Across Conducting Sensor: Non-polarized (AD) $< 5.0 V$</p> <p data-bbox="487 1138 657 1159">Polarized (AG) $\leq 4.2 V$</p> <p data-bbox="105 1165 560 1186">Trigger Current for Short Circuit Protection: $\geq 120 mA$</p> <p data-bbox="259 1192 560 1213">Minimum Load Current: $\geq 3.0 mA$</p>	<p data-bbox="909 1054 1234 1075">Off-State (Leakage) Current: $\leq 0.8 mA$</p> <p data-bbox="998 1081 1291 1102">Power-On Effect: Per IEC 947-5-2</p> <p data-bbox="966 1108 1307 1129">Transient Protection: Per EN 60947-5-2</p> <p data-bbox="1079 1138 1258 1159">Shock: 30 g, 11 ms</p> <p data-bbox="1055 1165 1469 1186">Vibration: 55 Hz, 1 mm Amplitude in all 3 Planes</p> <p data-bbox="1023 1192 1437 1213">Repeatability: $\leq 2\%$ of Rated Operating Distance</p>	
A4	3 and 4-wire DC - (AN, RN, AP, RP, VN, VP)	
<p data-bbox="397 1276 535 1297">Ripple: $\leq 10\%$</p> <p data-bbox="211 1304 641 1325">Differential Travel (Hysteresis): 3-15% (5% typical)</p> <p data-bbox="129 1331 544 1352">Voltage Drop Across Conducting Sensor: $\leq 1.8 V$</p> <p data-bbox="105 1358 763 1379">Trigger Current for Short Circuit Protection: $\geq 220 mA$ on 200 mA Load Current</p> <p data-bbox="186 1386 763 1407">$\geq 170 mA$ on 150 mA Load Current</p> <p data-bbox="186 1413 763 1434">$\geq 120 mA$ on 100 mA Load Current</p> <p data-bbox="227 1440 560 1461">Off-State (Leakage) Current: $\leq 0.1 mA$</p> <p data-bbox="316 1470 673 1491">No-Load Current: $\leq 15 mA$ (Ferrite, Uprox)</p> <p data-bbox="479 1497 698 1518">$\leq 20 mA$ (Uprox+, Uprox3)</p>	<p data-bbox="885 1276 1218 1297">Time Delay Before Availability: $\leq 8 ms$</p> <p data-bbox="998 1304 1291 1325">Power-On Effect: Per IEC 947-5-2</p> <p data-bbox="909 1331 1274 1352">Reverse Polarity Protection: Incorporated</p> <p data-bbox="950 1358 1274 1379">Wire-Break Protection: Incorporated</p> <p data-bbox="966 1386 1307 1407">Transient Protection: Per EN 60947-5-2</p> <p data-bbox="982 1413 1226 1434">Temperature Drift: $\leq \pm 10\%$</p> <p data-bbox="1079 1440 1258 1461">Shock: 30 g, 11 ms</p> <p data-bbox="1055 1470 1461 1491">Vibration: 55 Hz, 1 mm Amplitude in all 3 Planes</p> <p data-bbox="1023 1497 1429 1518">Repeatability: $\leq 2\%$ of Rated Operating Distance</p>	

We reserve the right to make technical alterations without prior notice.



Inductive Barrel Sensors | 12 mm

Embeddable Threaded PTFE Coated Metal Barrels with Connector and DC Outputs

Part Number/ ID Number	Features	Sensing Range (mm)	Output	Voltage	Switching Freq. (Hz)	Operating Current (mA)	Operating Temp. (°C)	Protection	Housing	Face	Power LED	Output LED	Dimension Drawings	Wiring Diagrams	Spec List
Bi4U-MT12E-AP6X2-H1141 1644742	Uprox+	4	3-wire DC PNP	10-30 VDC	2000	≤200	-30 to +85	IP68	TC	TC	GN	YE	A	4	A4
Bi4U-MT12E-AP6X2-H1141/S1589 1644797	Uprox+, PTFE, Weldguard	4	3-wire DC PNP	10-30 VDC	2000	≤200	-30 to +85	IP68	TC	WG	N/A	YE	A	4	A4
Bi4-MT12E-AP6X-H1141 46080932	Ext. Range, PTFE	4	3-wire DC PNP	10-30 VDC	2000	≤200	-25 to +70	IP67	TC	TC	N/A	YE	A	4	A4
Bi4-MT12HE-AN6X-H1141 4607197	Ext. Range, PTFE	4	3-wire DC NPN	10-30 VDC	2000	≤200	-25 to +70	IP67	TC	TC	N/A	YE	A	3	A4
Bi4-MT12HE-AP6X-H1141 4608093	Ext. Range, Stoneface	4	3-wire DC PNP	10-30 VDC	2000	≤200	-25 to +70	IP67	TC	TC	N/A	YE	A	4	A4
Bi4-MT12E-AN6X-H1141/S1589 4607187	Ext. Range, Weldguard	4	3-wire DC NPN	10-30 VDC	2000	≤200	-25 to +70	IP67	TC	WG	N/A	YE	A	3	A4
Bi4-MT12E-AP6X-H1141/S1589 4608094	Ext. Range, Weldguard	4	3-wire DC PNP	10-30 VDC	2000	≤200	-25 to +70	IP67	TC	WG	N/A	YE	A	4	A4
Bi3U-MT12HE-AN6X2-H1141 1634230	Uprox, PTFE, Stoneface	3	3-wire DC NPN	10-30 VDC	3000	≤200	-30 to +85	IP67	TC	TC	GN	YE	A	3	A4
Bi3U-MT12E-AN6X2-H1141/S1589 1634290	Uprox, Weldguard	3	3-wire DC NPN	10-30 VDC	3000	≤200	-30 to +85	IP67	TC	WG	GN	YE	A	3	A4
Bi3U-MT12HE-AP6X2-H1141 1634220	Uprox, PTFE, Stoneface	3	3-wire DC PNP	10-30 VDC	3000	≤200	-30 to +85	IP67	TC	TC	GN	YE	A	4	A4
Bi3U-MT12E-AP6X2-H1141/S1589 1634291	Uprox, Weldguard	3	3-wire DC PNP	10-30 VDC	3000	≤200	-30 to +85	IP67	TC	WG	GN	YE	A	4	A4
Bi3-MT12E-AD4X-H1141 44050882	PTFE	3	2-wire DC	10-65 VDC	1000	≤100	-25 to +70	IP67	TC	TC	N/A	YE	A	2	A2
Bi3-MT12HE-AD4X-H1141 4405088	Stoneface	3	2-wire DC	10-65 VDC	1000	≤100	-25 to +70	IP67	TC	TC	N/A	YE	A	2	A2
Bi3-MT12E-AD4X-H1141/S1589 4405086	PTFE, Weldguard	3	2-wire DC	10-65 VDC	1000	≤100	-25 to +70	IP67	TC	WG	N/A	YE	A	2	A2
Bi3-MT12E-AD4X-H1144/S1589 4405087	PTFE, Weldguard	3	2-wire DC	10-65 VDC	1000	≤100	-25 to +70	IP67	TC	WG	N/A	YE	A	2	A2
Bi2U-MT12E-AD4X-H1144 4405061	Uprox+, PTFE	2	2-wire DC	10-65 VDC	1000	≤100	-30 to +85	IP68	TC	TC	N/A	YE	A	1	A2


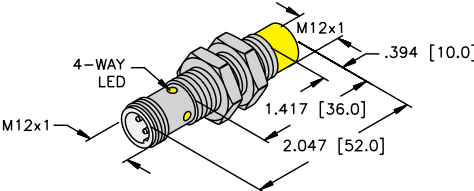
We reserve the right to make technical alterations without prior notice.

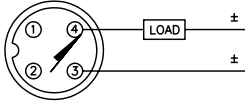
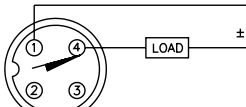
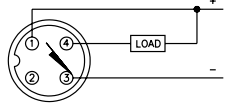
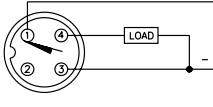
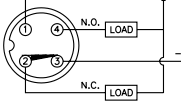
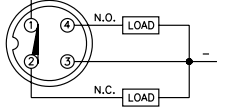
Inductive Barrel Sensors



Inductive Barrel Sensors | 12 mm

Nonembeddable Threaded Metal Barrels with Connector and DC Outputs

Housing Style	Dimension Drawings
	<p>A</p>  <p>12 mm - Nonembeddable, M12 Eurofast Connection</p>

Wiring Diagrams/Mating Cordsets		
<p>1</p>  <p>Mating Cordset: RK 4.2T-*</p>	<p>2</p>  <p>Mating Cordset: RK 4.23T-*</p>	<p>3</p>  <p>Mating Cordset: RK 4T-*; RKV 4T-*</p>
<p>4</p>  <p>Mating Cordset: RK 4T-*; RKV 4T-*</p>	<p>5</p>  <p>Mating Cordset: RK 4.4T-*</p>	<p>6</p>  <p>Mating Cordset: RK 4.4T-*; RKV 4.4T-*</p>

A2	2-wire DC - (AD, RD, AG)	
<p>Ripple: $\leq 10\%$</p> <p>Differential Travel (Hysteresis): 3-15% (5% typical)</p> <p>Voltage Drop Across Conducting Sensor: Non-polarized (AD) $< 5.0\text{ V}$ Polarized (AG) $\leq 4.2\text{ V}$</p> <p>Trigger Current for Short Circuit Protection: $\geq 120\text{ mA}$</p> <p>Minimum Load Current: $\geq 3.0\text{ mA}$</p>	<p>Off-State (Leakage) Current: $\leq 0.8\text{ mA}$</p> <p>Power-On Effect: Per IEC 947-5-2</p> <p>Transient Protection: Per EN 60947-5-2</p> <p>Shock: 30 g, 11 ms</p> <p>Vibration: 55 Hz, 1 mm Amplitude in all 3 Planes</p> <p>Repeatability: $\leq 2\%$ of Rated Operating Distance</p>	
A4	3 and 4-wire DC - (AN, RN, AP, RP, VN, VP)	
<p>Ripple: $\leq 10\%$</p> <p>Differential Travel (Hysteresis): 3-15% (5% typical)</p> <p>Voltage Drop Across Conducting Sensor: $\leq 1.8\text{ V}$</p> <p>Trigger Current for Short Circuit Protection: $\geq 220\text{ mA}$ on 200 mA Load Current $\geq 170\text{ mA}$ on 150 mA Load Current $\geq 120\text{ mA}$ on 100 mA Load Current</p> <p>Off-State (Leakage) Current: $\leq 0.1\text{ mA}$</p> <p>No-Load Current: $\leq 15\text{ mA}$ (Ferrite, Uprox) $\leq 20\text{ mA}$ (Uprox+, Uprox3)</p>	<p>Time Delay Before Availability: $\leq 8\text{ ms}$</p> <p>Power-On Effect: Per IEC 947-5-2</p> <p>Reverse Polarity Protection: Incorporated</p> <p>Wire-Break Protection: Incorporated</p> <p>Transient Protection: Per EN 60947-5-2</p> <p>Temperature Drift: $\leq \pm 10\%$</p> <p>Shock: 30 g, 11 ms</p> <p>Vibration: 55 Hz, 1 mm Amplitude in all 3 Planes</p> <p>Repeatability: $\leq 2\%$ of Rated Operating Distance</p>	

We reserve the right to make technical alterations without prior notice.



Inductive Barrel Sensors | 12 mm

Nonembeddable Threaded Metal Barrels with Connector and DC Outputs

Part Number/ ID Number	Features	Sensing Range (mm)	Output	Voltage	Switching Freq. (Hz)	Operating Current (mA)	Operating Temp. (°C)	Protection	Housing	Face	Power LED	Output LED	Dimension Drawings	Wiring Diagrams	Spec List
Ni10U-M12-AN6X-H1141 1634826	Uprox+	10	3-wire DC NPN	10-30 VDC	1000	≤200	-30 to +85	IP68	CPB	LCP	N/A	YE	A	3	A4
Ni10U-M12-AP6X-H1141 1634806	Uprox+	10	3-wire DC PNP	10-30 VDC	2000	≤200	-30 to +85	IP68	CPB	LCP	N/A	YE	A	4	A4
Ni10U-EM12-AN6X-H1141 1634828	Uprox+	10	3-wire DC NPN	10-30 VDC	1000	≤200	-30 to +85	IP68	SS	LCP	N/A	YE	A	3	A4
Ni10U-EM12-AP6X-H1141 1634808	Uprox+	10	3-wire DC PNP	10-30 VDC	2000	≤200	-30 to +85	IP68	SS	LCP	N/A	YE	A	4	A4
Ni8U-M12-AN6X-H1141 1644150	Uprox	8	3-wire DC NPN	10-30 VDC	2000	≤200	-30 to +85	IP67	CPB	LCP	N/A	YE	A	3	A4
Ni8U-M12-AN6X2-H1141 1644155	Uprox	8	3-wire DC NPN	10-30 VDC	2000	≤200	-30 to +85	IP67	CPB	LCP	GN	YE	A	3	A4
Ni8U-M12-AP6X-H1141 1644140	Uprox	8	3-wire DC PNP	10-30 VDC	2000	≤200	-30 to +85	IP67	CPB	LCP	N/A	YE	A	4	A4
Ni8U-M12-AP6X2-H1141 1644145	Uprox	8	3-wire DC PNP	10-30 VDC	2000	≤200	-30 to +85	IP67	CPB	LCP	GN	YE	A	4	A4
Ni8U-EM12-AN6X-H1141 1644350	Uprox	8	3-wire DC NPN	10-30 VDC	2000	≤200	-30 to +85	IP68	SS	LCP	N/A	YE	A	3	A4
Ni8U-EM12-AP6X-H1141 1644340	Uprox	8	3-wire DC PNP	10-30 VDC	2000	≤200	-30 to +85	IP68	SS	PBT	N/A	YE	A	4	A4
Ni8-M12-AD4X-H1141 4411241	Extended Range	8	2-wire DC	10-65 VDC	2000	≤100	-25 to +70	IP67	CPB	PA 12	N/A	YE	A	1	A2
Ni8-M12-AD4X-H1144 4411289	Extended Range	8	2-wire DC	10-65 VDC	2000	≤100	-25 to +70	IP67	CPB	PA 12	N/A	YE	A	2	A2
Ni8-M12-AN6X-H1141 4611315	Extended Range	8	3-wire DC NPN	10-30 VDC	2000	≤200	-25 to +70	IP67	CPB	PA 12	N/A	YE	A	3	A4
Ni8-M12-AP6X-H1141 4611310	Extended Range	8	3-wire DC PNP	10-30 VDC	2000	≤200	-25 to +70	IP67	CPB	PA 12	N/A	YE	A	4	A4
Ni8-M12-VN6X-H1141 4611323	Ext. Range, Comp. Outputs	8	4-wire DC NPN	10-30 VDC	2000	≤200	-25 to +70	IP67	CPB	PA 12	N/A	YE	A	5	A4
Ni8-M12-VP6X-H1141 4611324	Ext. Range, Comp. Outputs	8	4-wire DC PNP	10-30 VDC	2000	≤200	-25 to +70	IP67	CPB	PA 12	N/A	YE	A	6	A4
Ni5-M12-AN6X-H1141 4671390		5	3-wire DC NPN	10-30 VDC	2000	≤200	-25 to +70	IP67	CPB	PA 12	N/A	YE	A	3	A4
Ni5-M12-AP6X-H1141 4653400		5	3-wire DC PNP	10-30 VDC	2000	≤200	-25 to +70	IP67	CPB	PA 12	N/A	YE	A	4	A4
Ni4-M12-AD4X-H1141 44067		4	2-wire DC	10-65 VDC	2000	≤100	-25 to +70	IP67	CPB	PA 12	N/A	YE	A	1	A2
Ni4-M12-AN6X-H1141 46068		4	3-wire DC NPN	10-30 VDC	2000	≤200	-25 to +70	IP67	CPB	PA 12	N/A	YE	A	3	A4
Ni4-M12-AP6X-H1141 46067		4	3-wire DC PNP	10-30 VDC	2000	≤200	-25 to +70	IP67	CPB	PA 12	N/A	YE	A	4	A4
Ni4-EM12-AN7X-H1141 4606893	TTL Compatible	4	3-wire DC NPN	10-30 VDC	2000	≤200	-25 to +70	IP67	CPB	PA 12	N/A	YE	A	3	A4
Ni4-M12-VN6X-H1141 16431	Comp. Outputs	4	4-wire DC NPN	10-30 VDC	2000	≤200	-25 to +70	IP67	CPB	PA 12	N/A	YE	A	5	A4
Ni4-M12-VP6X-H1141 16331	Comp. Outputs	4	4-wire DC PNP	10-30 VDC	2000	≤200	-25 to +70	IP67	CPB	PA 12	N/A	YE	A	6	A4
Ni4-EM12-VP6X-H1141 1633101	Comp. Outputs	4	4-wire DC PNP	10-30 VDC	2000	≤200	-25 to +70	IP67	SS	PA 12	N/A	YE	A	6	A4


We reserve the right to make technical alterations without prior notice.

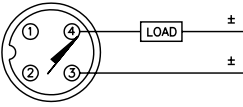
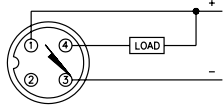
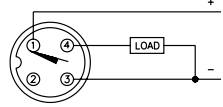
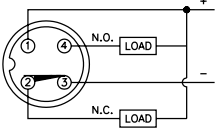
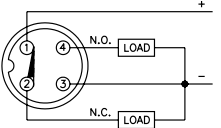
Inductive Barrel Sensors



Inductive Barrel Sensors | 12 mm

Nonembeddable Threaded Metal Barrels with Connector and DC Outputs

Housing Style	Dimension Drawings
	<p data-bbox="808 310 824 331">A</p> <p data-bbox="857 548 1448 569">12 mm - Nonembeddable, Extended Barrel Length, M12 Eurofast Connection</p>

Wiring Diagrams/Mating Cordsets		
<p data-bbox="105 638 121 659">1</p>  <p data-bbox="224 783 431 804">Mating Cordset: RK 4.23T-*</p>	<p data-bbox="570 638 586 659">2</p>  <p data-bbox="643 783 954 804">Mating Cordset: RK 4T-*, RKC 4T-*/S1587</p>	<p data-bbox="1044 638 1060 659">3</p>  <p data-bbox="1117 783 1429 804">Mating Cordset: RK 4T-*, RKC 4T-*/S1587</p>
<p data-bbox="105 825 121 846">4</p>  <p data-bbox="232 970 418 991">Mating Cordset: RK 4.4T-*</p>	<p data-bbox="570 825 586 846">5</p>  <p data-bbox="654 970 938 991">Mating Cordset: RK 4.4T-*, RKV 4.4T-*</p>	

A2	2-wire DC - (AD, RD, AG)	
<p data-bbox="402 1056 540 1077">Ripple: ≤10%</p> <p data-bbox="215 1085 643 1106">Differential Travel (Hysteresis): 3-15% (5% typical)</p> <p data-bbox="134 1115 703 1136">Voltage Drop Across Conducting Sensor: Non-polarized (AD) <5.0 V</p> <p data-bbox="492 1144 662 1165">Polarized (AG) ≤4.2 V</p> <p data-bbox="110 1173 565 1194">Trigger Current for Short Circuit Protection: ≥120 mA</p> <p data-bbox="264 1203 557 1224">Minimum Load Current: ≥3.0 mA</p>	<p data-bbox="914 1056 1239 1077">Off-State (Leakage) Current: ≤0.8 mA</p> <p data-bbox="1003 1085 1287 1106">Power-On Effect: Per IEC 947-5-2</p> <p data-bbox="971 1115 1304 1136">Transient Protection: Per EN 60947-5-2</p> <p data-bbox="1084 1144 1255 1165">Shock: 30 g, 11 ms</p> <p data-bbox="1060 1173 1474 1194">Vibration: 55 Hz, 1 mm Amplitude in all 3 Planes</p> <p data-bbox="1027 1203 1433 1224">Repeatability: ≤2% of Rated Operating Distance</p>	
A4	3 and 4-wire DC - (AN, RN, AP, RP, VN, VP)	
<p data-bbox="402 1272 540 1293">Ripple: ≤10%</p> <p data-bbox="215 1302 643 1323">Differential Travel (Hysteresis): 3-15% (5% typical)</p> <p data-bbox="134 1331 540 1352">Voltage Drop Across Conducting Sensor: ≤1.8 V</p> <p data-bbox="110 1360 768 1444">Trigger Current for Short Circuit Protection: ≥220 mA on 200 mA Load Current ≥170 mA on 150 mA Load Current ≥120 mA on 100 mA Load Current</p> <p data-bbox="232 1453 557 1474">Off-State (Leakage) Current: ≤0.1 mA</p> <p data-bbox="321 1482 686 1503">No-Load Current: ≤15 mA (Ferrite, Uprox) ≤20 mA (Uprox+, Uprox3)</p>	<p data-bbox="898 1272 1222 1293">Time Delay Before Availability: ≤8 ms</p> <p data-bbox="1003 1302 1287 1323">Power-On Effect: Per IEC 947-5-2</p> <p data-bbox="914 1331 1271 1352">Reverse Polarity Protection: Incorporated</p> <p data-bbox="954 1360 1271 1381">Wire-Break Protection: Incorporated</p> <p data-bbox="971 1390 1304 1411">Transient Protection: Per EN 60947-5-2</p> <p data-bbox="987 1419 1222 1440">Temperature Drift: ≤±10%</p> <p data-bbox="1084 1449 1255 1470">Shock: 30 g, 11 ms</p> <p data-bbox="1060 1478 1466 1499">Vibration: 55 Hz, 1 mm Amplitude in all 3 Planes</p> <p data-bbox="1027 1507 1433 1528">Repeatability: ≤2% of Rated Operating Distance</p>	

We reserve the right to make technical alterations without prior notice.



Inductive Barrel Sensors | 12 mm

Nonembeddable Threaded Metal Barrels with Connector and DC Outputs

Part Number/ ID Number	Features	Sensing Range (mm)	Output	Voltage	Switching Freq. (Hz)	Operating Current (mA)	Operating Temp. (°C)	Protection	Housing	Face	Power LED	Output LED	Dimension Drawings	Wiring Diagrams	Spec List
Ni8U-M12E-AN6X-H1141 1644151	Uprox	8	3-wire DC NPN	10-30 VDC	2000	≤200	-30 to +85	IP67	CPB	PBT	N/A	YE	A	2	A4
Ni8U-EM12E-AN6X2-H1141 1644315	Uprox	8	3-wire DC NPN	10-30 VDC	2000	≤200	-30 to +85	IP68	SS	PA 12	GN	YE	A	2	A4
Ni8U-EM12E-AN6X2-H1141/S1589 1644391	Uprox, Weldguard	8	3-wire DC NPN	10-30 VDC	2000	≤200	-30 to +85	IP68	WG	WG	GN	YE	A	2	A4
Ni8U-M12E-AP6X-H1141 1644144	Uprox	8	3-wire DC PNP	10-30 VDC	2000	≤200	-30 to +85	IP67	CPB	PA 12	N/A	YE	A	3	A4
Ni8U-EM12E-AP6X-H1141 1644342	Uprox	8	3-wire DC PNP	10-30 VDC	2000	≤200	-30 to +85	IP68	SS	PBT	N/A	YE	A	3	A4
Ni8U-EM12E-AP6X2-H1141 1644314	Uprox	8	3-wire DC PNP	10-30 VDC	2000	≤200	-30 to +85	IP68	SS	PBT	GN	YE	A	3	A4
Ni8U-EM12E-AP6X2-H1141/S1589 1644392	Uprox, Weldguard	8	3-wire DC PNP	10-30 VDC	2000	≤200	-30 to +85	IP68	WG	WG	GN	YE	A	3	A4
Ni8U-M12E-VN4X-H1141 1580552	Uprox, Comp. Outputs	8	4-wire DC NPN	10-65 VDC	2000	≤200	-30 to +85	IP67	SS	PA 12	N/A	YE	A	4	A4
Ni8U-M12E-VP4X-H1141 1580454	Uprox	8	4-wire DC PNP	10-65 VDC	2000	≤200	-30 to +85	IP67	SS	PA 12	N/A	YE	A	5	A4
Ni8U-EM12E-VP4X-H1141 1580463	Uprox	8	4-wire DC PNP	10-65 VDC	2000	≤200	-30 to +85	IP67	SS	PA 12	N/A	YE	A	5	A4
Ni8-M12E-AN6X-H1141 4611325	Extended Range	8	3-wire DC NPN	10-30 VDC	2000	≤200	-25 to +70	IP67	CPB	PA 12	N/A	YE	A	2	A4
Ni8-EM12E-AN6X-H1141/S1589 4611395	Ext. Range, Weldguard	8	3-wire DC NPN	10-30 VDC	2000	≤200	-25 to +70	IP67	WG	WG	N/A	YE	A	2	A4
Ni8-M12E-AP6X-H1141 46113981	Extended Range	8	3-wire DC PNP	10-30 VDC	2000	≤200	-25 to +70	IP67	CPB	PA 12	N/A	YE	A	3	A4
Ni8-EM12E-AP6X-H1141/S1589 4611396	Weldguard	8	3-wire DC PNP	10-30 VDC	2000	≤200	-25 to +70	IP67	WG	WG	N/A	YE	A	3	A4
Ni8-M12E-VP6X-H1141 4611389	Ext. Range, Comp. Outputs	8	4-wire DC PNP	10-30 VDC	2000	≤200	-25 to +70	IP67	CPB	PA 12	N/A	YE	A	5	A4
Ni4-M12E-AD4X-H1144 4406792		4	2-wire DC	10-65 VDC	1000	≤100	-25 to +70	IP67	CPB	PA 12	N/A	YE	A	1	A2
Ni4-EM12E-VP6X-H1141 1633191	Comp. Outputs	4	4-wire DC PNP	10-30 VDC	2000	≤200	-25 to +70	IP67	SS	PA 12	N/A	YE	A	5	A4


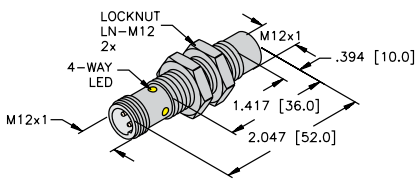
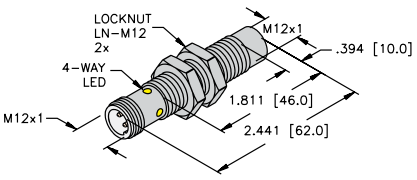
We reserve the right to make technical alterations without prior notice.

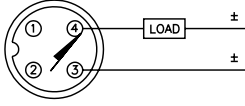
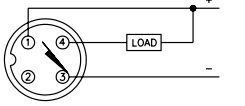
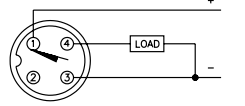
Inductive Barrel Sensors



Inductive Barrel Sensors | 12 mm

Nonembeddable Threaded PTFE Coated Metal Barrels with Connector and DC Outputs

Housing Style	Dimension Drawings	
	<p>A</p>  <p>12 mm - Nonembeddable, M12 Eurofast Connection, PTFE Coated</p>	<p>B</p>  <p>12 mm - Nonembeddable, Extended Barrel Length, M12 Eurofast Connection, PTFE Coated</p>

Wiring Diagrams/Mating Cordsets		
<p>1</p>  <p>Mating Cordset: RKC 4.2T-*</p>	<p>2</p>  <p>Mating Cordset: RK 4T-*, RKC 4T-*/S1587</p>	<p>3</p>  <p>Mating Cordset: RK 4T-*, RKC 4T-*/S1587</p>

A2	2-wire DC - (AD, RD, AG)	
<p>Ripple: $\leq 10\%$</p> <p>Differential Travel (Hysteresis): 3-15% (5% typical)</p> <p>Voltage Drop Across Conducting Sensor: Non-polarized (AD) $< 5.0\text{ V}$ Polarized (AG) $\leq 4.2\text{ V}$</p> <p>Trigger Current for Short Circuit Protection: $\geq 120\text{ mA}$</p> <p>Minimum Load Current: $\geq 3.0\text{ mA}$</p>		<p>Off-State (Leakage) Current: $\leq 0.8\text{ mA}$</p> <p>Power-On Effect: Per IEC 947-5-2</p> <p>Transient Protection: Per EN 60947-5-2</p> <p>Shock: 30 g, 11 ms</p> <p>Vibration: 55 Hz, 1 mm Amplitude in all 3 Planes</p> <p>Repeatability: $\leq 2\%$ of Rated Operating Distance</p>
A4	3 and 4-wire DC - (AN, RN, AP, RP, VN, VP)	
<p>Ripple: $\leq 10\%$</p> <p>Differential Travel (Hysteresis): 3-15% (5% typical)</p> <p>Voltage Drop Across Conducting Sensor: $\leq 1.8\text{ V}$</p> <p>Trigger Current for Short Circuit Protection: $\geq 220\text{ mA}$ on 200 mA Load Current $\geq 170\text{ mA}$ on 150 mA Load Current $\geq 120\text{ mA}$ on 100 mA Load Current</p> <p>Off-State (Leakage) Current: $\leq 0.1\text{ mA}$</p> <p>No-Load Current: $\leq 15\text{ mA}$ (Ferrite, Uprox) $\leq 20\text{ mA}$ (Uprox+, Uprox3)</p>		<p>Time Delay Before Availability: $\leq 8\text{ ms}$</p> <p>Power-On Effect: Per IEC 947-5-2</p> <p>Reverse Polarity Protection: Incorporated</p> <p>Wire-Break Protection: Incorporated</p> <p>Transient Protection: Per EN 60947-5-2</p> <p>Temperature Drift: $\leq \pm 10\%$</p> <p>Shock: 30 g, 11 ms</p> <p>Vibration: 55 Hz, 1 mm Amplitude in all 3 Planes</p> <p>Repeatability: $\leq 2\%$ of Rated Operating Distance</p>

We reserve the right to make technical alterations without prior notice.



Inductive Barrel Sensors | 12 mm

Nonembeddable Threaded PTFE Coated Metal Barrels with Connector and DC Outputs

Part Number/ ID Number	Features	Sensing Range (mm)	Output	Voltage	Switching Freq. (Hz)	Operating Current (mA)	Operating Temp. (°C)	Protection	Housing	Face	Power LED	Output LED	Dimension Drawings	Wiring Diagrams	Spec List
Ni10U-MT12-AN6X-H1141 1634830	Uprox+, PTFE	10	3-wire DC NPN	10-30 VDC	1000	≤200	-30 to +85	IP68	TC	LCP	N/A	YE	A	2	A4
Ni10U-MT12-AP6X-H1141 1634810	Uprox+, PTFE	10	3-wire DC PNP	10-30 VDC	1000	≤200	-30 to +85	IP68	TC	LCP	N/A	YE	A	3	A4
Ni10U-MT12-AP6X-H1141/S1589 16348101	Uprox+, PTFE, Weldguard	10	3-wire DC PNP	10-30 VDC	1000	≤200	-30 to +85	IP68	TC	WG	N/A	YE	A	3	A4
Ni10U-MT12E-AP6X2-H1141 1634844	Uprox+, PTFE	10	3-wire DC PNP	10-30 VDC	1000	≤200	-30 to +85	IP68	TC	LCP	GN	YE	B	3	A4
Ni10U-MT12E-AP6X2-H1141/S1589 1634994	Uprox+, PTFE, Weldguard	10	3-wire DC PNP	10-30 VDC	1000	≤200	-30 to +85	IP68	TC	WG	N/A	YE	B	3	A4
Ni8U-MT12-AP6X-H1141 1644240	Uprox, PTFE	8	3-wire DC PNP	10-30 VDC	2000	≤200	-30 to +85	IP67	TC	TC	N/A	YE	A	3	A4
Ni8U-MT12-AP6X2-H1141 1644245	Uprox, PTFE	8	3-wire DC PNP	10-30 VDC	2000	≤200	-30 to +85	IP67	TC	TC	GN	YE	A	3	A4
Ni8U-MT12-AP6X2-H1141/S1589 1644292	Uprox, PTFE, Weldguard	8	3-wire DC PNP	10-30 VDC	2000	≤200	-30 to +85	IP67	TC	WG	GN	YE	A	3	A4
Ni8U-MT12E-AN6X2-H1141 1644248	Uprox	8	3-wire DC NPN	10-30 VDC	2000	≤200	-30 to +85	IP67	TC	TC	N/A	YE	B	2	A4
Ni8U-MT12E-AP6X2-H1141 1644247	Uprox	8	3-wire DC PNP	10-30 VDC	2000	≤200	-30 to +85	IP67	TC	TC	N/A	YE	B	3	A4
Ni8-MT12-AD4X-H1141/S1589 4411291	PTFE, Weldguard	8	2-wire DC	10-65 VDC	1000	≤100	-25 to +70	IP67	TC	WG	N/A	YE	A	1	A2
Ni8-MT12E-AN6X-H1141/S1589 4611397	Ext. Range, Weldguard	8	3-wire DC NPN	10-30 VDC	2000	≤200	-25 to +70	IP67	WG	WG	N/A	YE	B	2	A4
Ni8-MT12E-AP6X-H1141/S1589 4611398	Ext. Range, Weldguard	8	3-wire DC PNP	10-30 VDC	2000	≤200	-25 to +70	IP67	WG	WG	N/A	YE	B	3	A4


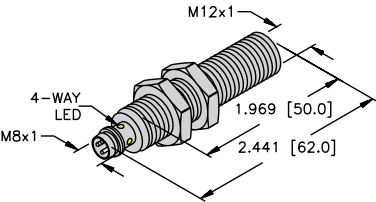
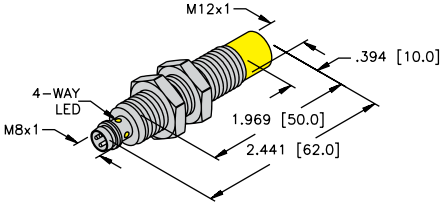
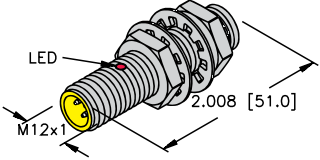
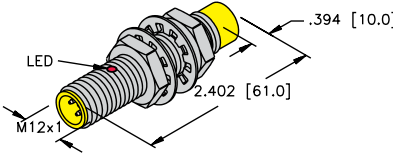
We reserve the right to make technical alterations without prior notice.

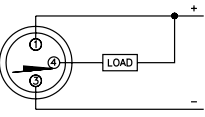
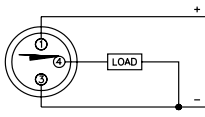
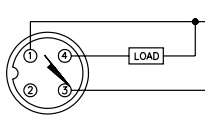
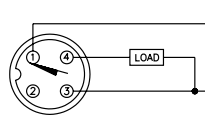
Inductive Barrel Sensors



Inductive Barrel Sensors | 12 mm

Fully Threaded Metal Barrels with Connector and DC Outputs

Housing Style	Dimension Drawings
	<p>A</p>  <p>12 mm - Embeddable, M8 Picofast Connection</p>
<p>B</p>  <p>12 mm - Embeddable, M8 Picofast Connection</p>	<p>C</p>  <p>12 mm - Embeddable, M12 Eurofast Connection</p>
<p>D</p>  <p>12 mm - Nonembeddable, M12 Eurofast Connection</p>	

Wiring Diagrams/Mating Cordsets			
<p>1</p>  <p>Mating Cordset: PKG 3M-*</p>	<p>2</p>  <p>Mating Cordset: PKG 3M-*</p>	<p>3</p>  <p>Mating Cordset: RK 4T-*</p>	<p>4</p>  <p>Mating Cordset: RK 4T-*, RKV 4T-*</p>

A4 3 and 4-wire DC - (AN, RN, AP, RP, VN, VP)	
<p>Ripple: $\leq 10\%$</p> <p>Differential Travel (Hysteresis): 3-15% (5% typical)</p> <p>Voltage Drop Across Conducting Sensor: $\leq 1.8\text{ V}$</p> <p>Trigger Current for Short Circuit Protection: $\geq 220\text{ mA}$ on 200 mA Load Current $\geq 170\text{ mA}$ on 150 mA Load Current $\geq 120\text{ mA}$ on 100 mA Load Current</p> <p>Off-State (Leakage) Current: No-Load Current: $\leq 0.1\text{ mA}$ $\leq 15\text{ mA}$ (Ferrite, Uprox) $\leq 20\text{ mA}$ (Uprox+, Uprox3)</p>	<p>Time Delay Before Availability: $\leq 8\text{ ms}$</p> <p>Power-On Effect: Per IEC 947-5-2</p> <p>Reverse Polarity Protection: Incorporated</p> <p>Wire-Break Protection: Incorporated</p> <p>Transient Protection: Per EN 60947-5-2</p> <p>Temperature Drift: $\leq \pm 10\%$</p> <p>Shock: 30 g, 11 ms</p> <p>Vibration: 55 Hz, 1 mm Amplitude in all 3 Planes</p> <p>Repeatability: $\leq 2\%$ of Rated Operating Distance</p>

We reserve the right to make technical alterations without prior notice.



Inductive Barrel Sensors | 12 mm

Fully Threaded Metal Barrels with Connector and DC Outputs


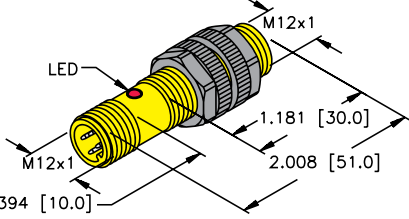
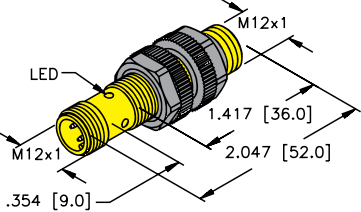
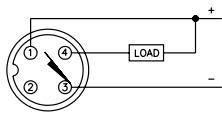
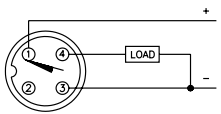
Part Number/ ID Number	Features	Sensing Range (mm)	Output	Voltage	Switching Freq. (Hz)	Operating Current (mA)	Operating Temp. (°C)	Protection	Housing	Face	Power LED	Output LED	Dimension Drawings	Wiring Diagrams	Spec List
Bi4-G12-AN6X-V1131 1690707	Extended Range	4	3-wire DC NPN	10-30 VDC	2000	≤200	-25 to +70	IP67	CPB	PA 12	N/A	YE	A	1	A4
Bi4-G12-AP6X-V1131 1690703	Extended Range	4	3-wire DC PNP	10-30 VDC	2000	≤200	-25 to +70	IP67	CPB	PA 12	N/A	YE	A	2	A4
Bi4-EG12-AP6X-H1141 4607091	Extended Range	4	3-wire DC PNP	10-30 VDC	2000	≤200	-25 to +70	IP67	SS	PA 12	N/A	RD	C	4	A4
Bi2-G12-AN6X-V1131 4635583		2	3-wire DC NPN	10-30 VDC	2000	≤200	-25 to +70	IP67	CPB	PA 12	N/A	YE	A	1	A4
Bi2-G12-AN6X-H1141 4606693		2	3-wire DC NPN	10-30 VDC	2000	≤200	-25 to +70	IP67	CPB	PA 12	N/A	RD	C	3	A4
Bi2-G12-AP6X-H1141 4606595		2	3-wire DC PNP	10-30 VDC	2000	≤200	-25 to +70	IP67	CPB	PA 12	N/A	RD	C	4	A4
Bi2-G12-AP6X-V1131 4606597		2	3-wire DC PNP	10-30 VDC	2000	≤200	-25 to +70	IP67	CPB	PA 12	N/A	YE	B	2	A4
Ni8-G12-AN6X-H1141 4611383	Extended Range	8	3-wire DC NPN	10-30 VDC	2000	≤200	-25 to +70	IP67	CPB	PA 12	N/A	RD	D	3	A4
Ni5-G12-AN6X-V1131 4635721		5	3-wire DC NPN	10-30 VDC	2000	≤200	-25 to +70	IP67	CPB	PA 12	N/A	YE	B	1	A4
Ni5-G12-AN6X-H1141 4635793		5	3-wire DC NPN	10-30 VDC	2000	≤200	-25 to +70	IP67	CPB	PA 12	N/A	RD	D	3	A4
Ni5-G12-AN7X-H1141 1714593	TTL Compatible	5	3-wire DC NPN	10-30 VDC	2000	≤200	-25 to +70	IP67	CPB	PA 12	N/A	RD	D	3	A4
Ni5-G12-AP6X-V1131 4635690		5	3-wire DC PNP	10-30 VDC	2000	≤200	-25 to +70	IP67	CPB	PA 12	N/A	YE	B	2	A4
Ni5-G12-AP6X-H1141 4635692		5	3-wire DC PNP	10-30 VDC	2000	≤200	-25 to +70	IP67	CPB	PA 12	N/A	RD	D	4	A4

We reserve the right to make technical alterations without prior notice.

Inductive Barrel Sensors

Inductive Barrel Sensors | 12 mm

Threaded Plastic Barrels with Connector and DC Outputs

Housing Style	Dimension Drawings
	<p>A</p>  <p>12 mm - Embeddable/Nonembeddable, Plastic, M12 Eurofast Connection</p>
<p>B</p>  <p>12 mm - Embeddable/Nonembeddable, Plastic, M12 Eurofast Connection</p>	
Wiring Diagrams/Mating Cordsets	
<p>1</p>  <p>Mating Cordset: RKK 4T-*</p>	<p>2</p>  <p>Mating Cordset: RKK 4T-*</p>
A4 3 and 4-wire DC - (AN, RN, AP, RP, VN, VP)	
<p>Ripple: ≤10%</p> <p>Differential Travel (Hysteresis): 3-15% (5% typical)</p> <p>Voltage Drop Across Conducting Sensor: ≤1.8 V</p> <p>Trigger Current for Short Circuit Protection: ≥220 mA on 200 mA Load Current ≥170 mA on 150 mA Load Current ≥120 mA on 100 mA Load Current</p> <p>Off-State (Leakage) Current: ≤0.1 mA</p> <p>No-Load Current: ≤15 mA (Ferrite, Uprox) ≤20 mA (Uprox+, Uprox3)</p>	<p>Time Delay Before Availability: ≤8 ms</p> <p>Power-On Effect: Per IEC 947-5-2</p> <p>Reverse Polarity Protection: Incorporated</p> <p>Wire-Break Protection: Incorporated</p> <p>Transient Protection: Per EN 60947-5-2</p> <p>Temperature Drift: ≤±10%</p> <p>Shock: 30 g, 11 ms</p> <p>Vibration: 55 Hz, 1 mm Amplitude in all 3 Planes</p> <p>Repeatability: ≤2% of Rated Operating Distance</p>

We reserve the right to make technical alterations without prior notice.



Inductive Barrel Sensors | 12 mm

Threaded Plastic Barrels with Connector and DC Outputs


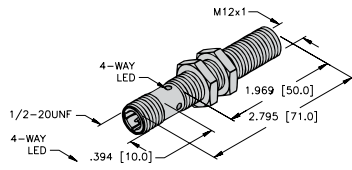
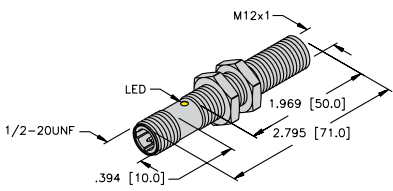
Part Number/ ID Number	Features	Sensing Range (mm)	Output	Voltage	Switching Freq. (Hz)	Operating Current (mA)	Operating Temp. (°C)	Protection	Housing	Face	Power LED	Output LED	Dimension Drawings	Wiring Diagrams	Spec List
Bi3U-S12-AN6X-H1141 1634620	Uprox	3	3-wire DC NPN	10-30 VDC	3000	≤200	-30 to +85	IP68	PBT	PBT	N/A	YE	B	1	A4
Bi3U-S12-AP6X-H1141 16346	Uprox	3	3-wire DC PNP	10-30 VDC	3000	≤200	-30 to +85	IP68	PBT	PBT	N/A	YE	B	2	A4
Bi2-S12-AN6X-H1141 46521		2	3-wire DC NPN	10-30 VDC	2000	≤200	-25 to +70	IP67	PA 12	PA 12	N/A	RD	A	1	A4
Bi2-S12-AP6X-H1141 46520		2	3-wire DC PNP	10-30 VDC	2000	≤200	-25 to +70	IP67	PA 12	PA 12	N/A	RD	A	2	A4
Ni8U-S12-AN6X-H1141 1644620	Uprox	8	3-wire DC NPN	10-30 VDC	2000	≤200	-30 to +85	IP68	PBT	PBT	N/A	YE	B	1	A4
Ni8U-S12-AP6X-H1141 1644600	Uprox	8	3-wire DC PNP	10-30 VDC	2000	≤200	-30 to +85	IP68	PBT	PBT	N/A	YE	B	2	A4
Ni4-S12-AN6X-H1141 46523		4	3-wire DC NPN	10-30 VDC	2000	≤200	-25 to +70	IP67	PA 12	PA 12	N/A	RD	A	1	A4
Ni4-S12-AP6X-H1141 46522		4	3-wire DC PNP	10-30 VDC	2000	≤200	-25 to +70	IP67	PA 12	PA 12	N/A	RD	A	2	A4

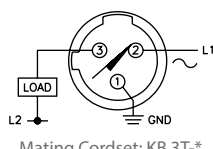
We reserve the right to make technical alterations without prior notice.

Inductive Barrel Sensors

Inductive Barrel Sensors | 12 mm

Embeddable Threaded Metal Barrels with Connector and AC/DC Outputs

Housing Style	Dimension Drawings
	<p data-bbox="808 310 824 331">A</p>  <p data-bbox="966 525 1339 546">12 mm - Embeddable, 1/2" Microfast Connection</p>
<p data-bbox="105 562 121 583">B</p>  <p data-bbox="203 777 690 798">12 mm - Embeddable, 1/2" Microfast Connection, PTFE Coated</p>	

Wiring Diagrams/Mating Cordsets	
<p data-bbox="105 863 121 884">1</p>  <p data-bbox="706 1008 885 1029">Mating Cordset: KB 3T-*</p>	

A5 2-wire AC/DC w/ Short-Circuit Protection - (ADZ, RDZ, FDZ, VDZ)	
<p data-bbox="324 1098 592 1119">Line Frequency: $\geq 50 \dots \leq 60$ Hz</p> <p data-bbox="211 1129 641 1150">Differential Travel (Hysteresis): 3-15% (5% typical)</p> <p data-bbox="129 1161 535 1182">Voltage Drop Across Conducting Sensor: ≤ 6.0 V</p> <p data-bbox="105 1192 706 1245">Trigger Current for Short Circuit Protection: AC: ≥ 440 mA; DC: ≥ 330 mA AC: ≥ 120 mA; DC: ≥ 120 mA</p> <p data-bbox="243 1255 706 1308">Continuous Load Current: AC: ≤ 400 mA; DC: ≤ 300 mA AC: ≤ 100 mA; DC: ≤ 100 mA</p> <p data-bbox="227 1318 592 1360">Off-State (Leakage) Current: ≤ 1.7 mA (AC) ≤ 1.5 mA (DC)</p>	<p data-bbox="941 1098 1234 1119">Minimum Load Current: ≥ 3.0 mA</p> <p data-bbox="1006 1129 1364 1150">Inrush Current: ≤ 3 A (≤ 20 ms max. 5 Hz)</p> <p data-bbox="998 1161 1291 1182">Power-On Effect: Per IEC 947-5-2</p> <p data-bbox="966 1192 1307 1213">Transient Protection: Per EN 60947-5-2</p> <p data-bbox="1079 1224 1258 1245">Shock: 30 g, 11 ms</p> <p data-bbox="1055 1255 1469 1276">Vibration: 55 Hz, 1 mm Amplitude, in all 3 Planes</p> <p data-bbox="1023 1287 1429 1308">Repeatability: $\leq 2\%$ of Rated Operating Distance</p>

A6 2-wire AC/DC w/o Short-Circuit Protection - (AZ, RZ, FZ)	
<p data-bbox="324 1407 592 1428">Line Frequency: $\geq 50 \dots \leq 60$ Hz</p> <p data-bbox="211 1438 641 1459">Differential Travel (Hysteresis): 3-15% (5% typical)</p> <p data-bbox="129 1470 535 1491">Voltage Drop Across Conducting Sensor: ≤ 6.0 V</p> <p data-bbox="243 1501 706 1554">Continuous Load Current: AC: ≤ 400 mA; DC: ≤ 300 mA AC: ≤ 100 mA; DC: ≤ 100 mA</p> <p data-bbox="227 1564 552 1585">Off-State (Leakage) Current: ≤ 1.7 mA</p> <p data-bbox="259 1596 552 1617">Minimum Load Current: ≥ 3.0 mA</p>	<p data-bbox="1006 1407 1364 1428">Inrush Current: ≤ 8 A (≤ 10ms max. 5 Hz) ≤ 1 A (≤ 10 ms max. 5 Hz) 12 mm ≤ 0.2 A (≤ 10 ms max. 0.2 Hz) 8 mm</p> <p data-bbox="998 1501 1291 1522">Power-On Effect: Per IEC 947-5-2</p> <p data-bbox="966 1533 1307 1554">Transient Protection: Per EN 60947-5-2</p> <p data-bbox="1079 1564 1258 1585">Shock: 30 g, 11 ms</p> <p data-bbox="1055 1596 1469 1617">Vibration: 55 Hz, 1 mm Amplitude, in all 3 Planes</p> <p data-bbox="1023 1627 1429 1648">Repeatability: $\leq 2\%$ of Rated Operating Distance</p>

We reserve the right to make technical alterations without prior notice.



Inductive Barrel Sensors | 12 mm

Embeddable Threaded Metal Barrels with Connector and AC/DC Outputs

Part Number/ ID Number	Features	Sensing Range (mm)	Output	Voltage	Switching Freq. (Hz)	Operating Current (mA)	Operating Temp. (°C)	Protection	Housing	Face	Power LED	Output LED	Dimension Drawings	Wiring Diagrams	Spec List
Bi4-G12-ADZ32X-B3131 4205031	Extended Range	4	2-wire AC/DC Short-Circuit Protected	20-250 VAC/10-300 VDC	20	≤100	-25 to +70	IP67	CPB	PA 12	N/A	YE	A	1	A5
Bi4-GT12H-ADZ32X-B3131 4205097	Stoneface	4	2-wire AC/DC Short-Circuit Protected	20-250 VAC/10-300 VDC	20	≤100	-25 to +70	IP67	TC	TC	N/A	YE	B	1	A5
Bi4-GT12-ADZ32X-B3131/S1589 4205087	PTFE, Weldguard	4	2-wire AC/DC Short-Circuit Protected	20-250 VAC/10-300 VDC	20	≤100	-25 to +70	IP67	TC	WG	N/A	YE	B	1	A5
Bi2U-G12-ADZ32X-B3131 4281005	Uprox	2	2-wire AC/DC Short-Circuit Protected	20-250 VAC/10-300 VDC	10	≤100	-30 to +85	IP67	CPB	PBT	N/A	YE	A	1	A5
Bi2U-GT12-ADZ32X-B3131 4281015	Uprox	2	2-wire AC/DC Short-Circuit Protected	20-250 VAC/10-300 VDC	10	≤100	-30 to +85	IP67	TC	TC	N/A	YE	B	1	A5
Bi2-G12-AZ33X-B3131 1304032		2	2-wire AC/DC	20-250 VAC/10-300 VDC	20	≤100	-25 to +70	IP67	CPB	PA 12	N/A	YE	A	1	A6
Bi2-G12-ADZ32X-B3131 4205001		2	2-wire AC/DC Short-Circuit Protected	20-250 VAC/10-300 VDC	20	≤100	-25 to +70	IP67	CPB	PA 12	N/A	YE	A	1	A5
Bi2-GT12H-ADZ32X-B3131/S34 4205093	PTFE, WFI, Stoneface	2	2-wire AC/DC Short-Circuit Protected	20-250 VAC/10-300 VDC	20	≤100	-25 to +70	IP67	TC	TC	N/A	YE	B	1	A5
Bi2-GT12-ADZ32X-B3131/S34 4205005	PTFE, WFI	2	2-wire AC/DC Short-Circuit Protected	20-250 VAC/10-300 VDC	20	≤100	-25 to +70	IP67	TC	TC	N/A	YE	B	1	A5
Bi2-GT12-AZ33X-B3131/S34 1304082	PTFE, WFI	2	2-wire AC/DC	20-250 VAC/10-300 VDC	20	≤100	-25 to +70	IP67	TC	TC	N/A	YE	B	1	A6


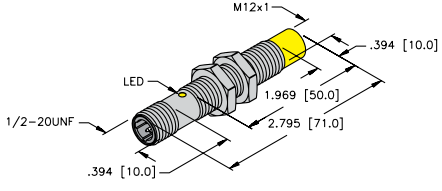
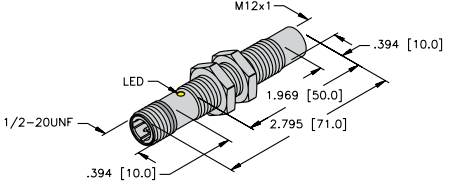
We reserve the right to make technical alterations without prior notice.

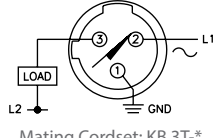
Inductive Barrel Sensors



Inductive Barrel Sensors | 12 mm

Nonembeddable Threaded Metal Barrels with Connector and AC/DC Outputs

Housing Style	Dimension Drawings
	<p data-bbox="808 310 824 331">A</p>  <p data-bbox="950 525 1356 546">12 mm - Nonembeddable, 1/2" Microfast Connection</p>
<p data-bbox="105 562 121 583">B</p>  <p data-bbox="186 777 706 798">12 mm - Nonembeddable, 1/2" Microfast Connection, PTFE Coated</p>	

Wiring Diagrams/Mating Cordsets	
<p data-bbox="105 863 121 884">1</p>  <p data-bbox="706 1008 885 1029">Mating Cordset: KB 3T-*</p>	

A5 2-wire AC/DC w/ Short-Circuit Protection - (ADZ, RDZ, FDZ, VDZ)	
<p data-bbox="324 1102 592 1123">Line Frequency: $\geq 50 \dots \leq 60$ Hz</p> <p data-bbox="211 1129 641 1150">Differential Travel (Hysteresis): 3-15% (5% typical)</p> <p data-bbox="129 1157 544 1178">Voltage Drop Across Conducting Sensor: ≤ 6.0 V</p> <p data-bbox="105 1184 706 1239">Trigger Current for Short Circuit Protection: AC: ≥ 440 mA; DC: ≥ 330 mA AC: ≥ 120 mA; DC: ≥ 120 mA</p> <p data-bbox="243 1245 706 1299">Continuous Load Current: AC: ≤ 400 mA; DC: ≤ 300 mA AC: ≤ 100 mA; DC: ≤ 100 mA</p> <p data-bbox="227 1306 592 1360">Off-State (Leakage) Current: ≤ 1.7 mA (AC) ≤ 1.5 mA (DC)</p>	<p data-bbox="941 1102 1234 1123">Minimum Load Current: ≥ 3.0 mA</p> <p data-bbox="1006 1129 1364 1150">Inrush Current: ≤ 3 A (≤ 20 ms, max 5 Hz)</p> <p data-bbox="998 1157 1291 1178">Power-On Effect: Per IEC 947-5-2</p> <p data-bbox="966 1184 1307 1205">Transient Protection: Per EN 60947-5-2</p> <p data-bbox="1079 1211 1258 1232">Shock: 30 g, 11 ms</p> <p data-bbox="1055 1239 1469 1260">Vibration: 55 Hz, 1 mm Amplitude, in all 3 Planes</p> <p data-bbox="1023 1266 1429 1287">Repeatability: $\leq 2\%$ of Rated Operating Distance</p>
A6 2-wire AC/DC w/o Short-Circuit Protection - (AZ, RZ, FZ)	
<p data-bbox="324 1413 592 1434">Line Frequency: $\geq 50 \dots \leq 60$ Hz</p> <p data-bbox="211 1440 641 1461">Differential Travel (Hysteresis): 3-15% (5% typical)</p> <p data-bbox="129 1467 544 1488">Voltage Drop Across Conducting Sensor: ≤ 6.0 V</p> <p data-bbox="243 1495 706 1549">Continuous Load Current: AC: ≤ 400 mA; DC: ≤ 300 mA AC: ≤ 100 mA; DC: ≤ 100 mA</p> <p data-bbox="227 1556 560 1577">Off-State (Leakage) Current: ≤ 1.7 mA</p> <p data-bbox="259 1583 560 1604">Minimum Load Current: ≥ 3.0 mA</p>	<p data-bbox="1015 1413 1356 1434">Inrush Current: ≤ 8 A (≤ 10ms max. 5 Hz) ≤ 1 A (≤ 10 ms max. 5 Hz) 12 mm ≤ 0.2 A (≤ 10 ms max. 0.2 Hz) 8 mm</p> <p data-bbox="998 1495 1291 1516">Power-On Effect: Per IEC 947-5-2</p> <p data-bbox="966 1522 1307 1543">Transient Protection: Per EN 60947-5-2</p> <p data-bbox="1079 1549 1258 1570">Shock: 30 g, 11 ms</p> <p data-bbox="1055 1577 1469 1598">Vibration: 55 Hz, 1 mm Amplitude, in all 3 Planes</p> <p data-bbox="1023 1604 1429 1625">Repeatability: $\leq 2\%$ of Rated Operating Distance</p>

We reserve the right to make technical alterations without prior notice.



Inductive Barrel Sensors | 12 mm

Nonembeddable Threaded Metal Barrels with Connector and AC/DC Outputs

Part Number/ ID Number	Features	Sensing Range (mm)	Output	Voltage	Switching Freq. (Hz)	Operating Current (mA)	Operating Temp. (°C)	Protection	Housing	Face	Power LED	Output LED	Dimension Drawings	Wiring Diagrams	Spec List
Ni8U-G12-ADZ32X-B3131 4281105	Uprox	8	2-wire AC/DC Short-Circuit Protected	20-250 VAC/10-300 VDC	10	≤100	-30 to +85	IP67	CPB	PBT	N/A	YE	A	1	A5
Ni8U-GT12-ADZ32X-B3131 4281115	Uprox	8	2-wire AC/DC Short-Circuit Protected	20-250 VAC/10-300 VDC	10	≤100	-30 to +85	IP67	TC	PA 12	N/A	YE	B	1	A5
Ni4-G12-ADZ32X-B3131 4205201		4	2-wire AC/DC Short-Circuit Protected	20-250 VAC/10-300 VDC	20	≤100	-25 to +70	IP67	CPB	PA 12	N/A	YE	A	1	A5
Ni4-G12-AZ33X-B3131 1304232		4	2-wire AC/DC	20-250 VAC/10-300 VDC	20	≤100	-25 to +70	IP67	CPB	PA 12	N/A	YE	A	1	A6
Ni4-GT12-ADZ32X-B3131/S34 4205205	PTFE, WFI	4	2-wire AC/DC Short-Circuit Protected	20-250 VAC/10-300 VDC	20	≤100	-25 to +70	IP67	TC	PA 12	N/A	YE	B	1	A5
Ni4-GT12-AZ33X-B3131/S34 1304292	PTFE, WFI	4	2-wire AC/DC	20-250 VAC/10-300 VDC	20	≤100	-25 to +70	IP67	TC	PA 12	N/A	YE	B	1	A6
Ni4-GT12-ADZ32X-B3131/S34/S1589 4205293	PTFE, Weldguard	4	2-wire AC/DC Short-Circuit Protected	20-250 VAC/10-300 VDC	20	≤100	-25 to +70	IP67	TC	WG	N/A	YE	B	1	A5


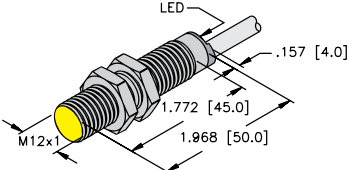
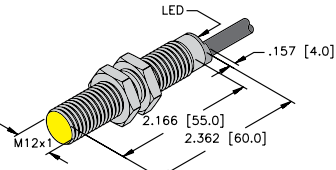
We reserve the right to make technical alterations without prior notice.

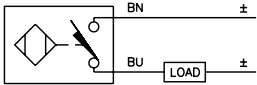
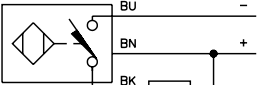
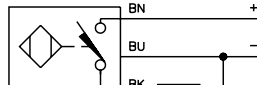
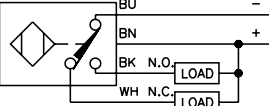
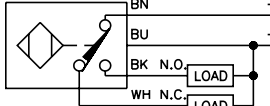
Inductive Barrel Sensors



Inductive Barrel Sensors | 12 mm

Embeddable Threaded Metal Barrels with Cable and DC Outputs

Housing Style	Dimension Drawings
	<p data-bbox="808 310 824 331">A</p>  <p data-bbox="1003 520 1295 541">12 mm - Embeddable, Potted-in Cable</p>
<p data-bbox="105 556 121 577">B</p>  <p data-bbox="207 772 690 793">12 mm - Embeddable, Extended Length Barrel, Potted-in Cable</p>	

Wiring Diagrams/Mating Cordsets		
<p data-bbox="105 863 121 884">1</p> 	<p data-bbox="592 863 609 884">2</p> 	<p data-bbox="1047 863 1063 884">3</p> 
<p data-bbox="105 1041 121 1062">4</p> 	<p data-bbox="592 1041 609 1062">5</p> 	

A2	2-wire DC - (AD, RD, AG)	
<p data-bbox="402 1283 539 1304">Ripple: $\leq 10\%$</p> <p data-bbox="219 1314 641 1335">Differential Travel (Hysteresis): 3-15% (5% typical)</p> <p data-bbox="138 1346 701 1388">Voltage Drop Across Conducting Sensor: Non-polarized (AD) $< 5.0\text{ V}$ Polarized (AG) $\leq 4.2\text{ V}$</p> <p data-bbox="113 1398 565 1419">Trigger Current for Short Circuit Protection: $\geq 120\text{ mA}$</p> <p data-bbox="267 1430 560 1451">Minimum Load Current: $\geq 3.0\text{ mA}$</p>	<p data-bbox="912 1283 1237 1304">Off-State (Leakage) Current: $\leq 0.8\text{ mA}$</p> <p data-bbox="1003 1314 1291 1335">Power-On Effect: Per IEC 947-5-2</p> <p data-bbox="971 1346 1307 1367">Transient Protection: Per EN 60947-5-2</p> <p data-bbox="1079 1377 1258 1398">Shock: 30 g, 11 ms</p> <p data-bbox="1058 1409 1469 1430">Vibration: 55 Hz, 1 mm Amplitude in all 3 Planes</p> <p data-bbox="1026 1440 1437 1461">Repeatability: $\leq 2\%$ of Rated Operating Distance</p>	
A4	3 and 4-wire DC - (AN, RN, AP, RP, VN, VP)	
<p data-bbox="402 1503 539 1524">Ripple: $\leq 10\%$</p> <p data-bbox="219 1535 641 1556">Differential Travel (Hysteresis): 3-15% (5% typical)</p> <p data-bbox="138 1566 544 1587">Voltage Drop Across Conducting Sensor: $\leq 1.8\text{ V}$</p> <p data-bbox="113 1598 766 1671">Trigger Current for Short Circuit Protection: $\geq 220\text{ mA}$ on 200 mA Load Current $\geq 170\text{ mA}$ on 150 mA Load Current $\geq 120\text{ mA}$ on 100 mA Load Current</p> <p data-bbox="235 1682 560 1703">Off-State (Leakage) Current: $\leq 0.1\text{ mA}$</p> <p data-bbox="321 1713 701 1755">No-Load Current: $\leq 15\text{ mA}$ (Ferrite, Uprox) $\leq 20\text{ mA}$ (Uprox+, Uprox3)</p>	<p data-bbox="896 1503 1221 1524">Time Delay Before Availability: $\leq 8\text{ ms}$</p> <p data-bbox="1003 1535 1291 1556">Power-On Effect: Per IEC 947-5-2</p> <p data-bbox="917 1566 1274 1587">Reverse Polarity Protection: Incorporated</p> <p data-bbox="961 1598 1274 1619">Wire-Break Protection: Incorporated</p> <p data-bbox="971 1629 1307 1650">Transient Protection: Per EN 60947-5-2</p> <p data-bbox="993 1661 1226 1682">Temperature Drift: $\leq \pm 10\%$</p> <p data-bbox="1079 1692 1258 1713">Shock: 30 g, 11 ms</p> <p data-bbox="1058 1724 1469 1745">Vibration: 55 Hz, 1 mm Amplitude in all 3 Planes</p> <p data-bbox="1026 1755 1437 1776">Repeatability: $\leq 2\%$ of Rated Operating Distance</p>	

We reserve the right to make technical alterations without prior notice.



Inductive Barrel Sensors | 12 mm

Embeddable Threaded Metal Barrels with Cable and DC Outputs

We reserve the right to make technical alterations without prior notice.


Part Number/ ID Number	Features	Sensing Range (mm)	Output	Voltage	Switching Freq. (Hz)	Operating Current (mA)	Operating Temp. (°C)	Protection	Housing	Face	Power LED	Output LED	Cable Length/Jacket	Dimension Drawings	Wiring Diagrams	Spec List
Bi6U-M12-AN6X 1644806	Uprox3	6	3-wire DC NPN	10-30 VDC	2000	≤200	-25 to +70	IP68	CPB	LCP	N/A	YE	2M/PVC	A	2	A4
Bi6U-M12-AP6X 1644801	Uprox3	6	3-wire DC PNP	10-30 VDC	2000	≤200	-25 to +70	IP68	CPB	LCP	N/A	YE	2M/PVC	A	3	A4
Bi6U-M12-VP6X 1644803	Uprox3, Comp. Outputs	6	4-wire DC PNP	10-30 VDC	2000	≤200	-25 to +70	IP68	CPB	LCP	N/A	YE	2M/PVC	A	5	A4
Bi4U-M12-AN6X 1634823	Uprox+	4	3-wire DC NPN	10-30 VDC	2000	≤200	-30 to +85	IP68	CPB	LCP	N/A	YE	2M/PVC	A	2	A4
Bi4U-M12-AP6X 1634803	Uprox+	4	3-wire DC PNP	10-30 VDC	2000	≤200	-30 to +85	IP68	CPB	LCP	N/A	YE	2M/PVC	A	3	A4
Bi4-M12-AN6X 4607130	Extended Range	4	3-wire DC NPN	10-30 VDC	2000	≤200	-25 to +70	IP67	CPB	PA 12	N/A	YE	2M/PVC	A	2	A4
Bi4-M12-AP6X 4607006	Extended Range	4	3-wire DC PNP	10-30 VDC	2000	≤200	-25 to +70	IP67	CPB	PA 12	N/A	YE	2M/PVC	A	3	A4
Bi4-M12-VN6X 1643300	Ext. Range, Comp. Outputs	4	4-wire DC NPN	10-30 VDC	2000	≤200	-25 to +70	IP67	CPB	PA 12	N/A	YE	2M/PVC	A	4	A4
Bi4-M12-VP6X 1633300	Ext. Range, Comp. Outputs	4	4-wire DC PNP	10-30 VDC	2000	≤200	-25 to +70	IP67	CPB	PA 12	N/A	YE	2M/PVC	A	5	A4
Bi4-M12E-VN6X 1643290	Ext. Range, Comp. Outputs	4	4-wire DC NPN	10-30 VDC	2000	≤200	-25 to +70	IP67	CPB	PA 12	N/A	YE	2M/PVC	B	4	A4
Bi4-M12E-VP6X 1633391	Ext. Range, Comp. Outputs	4	4-wire DC PNP	10-30 VDC	2000	≤200	-25 to +70	IP67	CPB	PA 12	N/A	YE	2M/PVC	B	5	A4
Bi3U-M12-AN6X 1634120	Uprox	3	3-wire DC NPN	10-30 VDC	3000	≤200	-30 to +85	IP67	CPB	PBT	N/A	YE	2M/PVC	A	2	A4
Bi3U-M12-AP6X 1634100	Uprox	3	3-wire DC PNP	10-30 VDC	3000	≤200	-30 to +85	IP67	CPB	PBT	N/A	YE	2M/PVC	A	3	A4
Bi3U-M12E-AP6X 1634108	Uprox	3	3-wire DC PNP	10-30 VDC	3000	≤200	-30 to +85	IP67	CPB	PBT	N/A	YE	2M/PVC	B	3	A4
Bi3U-EM12-AN6X 1634320	Uprox	3	3-wire DC NPN	10-30 VDC	3000	≤200	-30 to +85	IP68	SS	PBT	N/A	YE	2M/PVC	A	2	A4
Bi3U-EM12-AP6X 1634300	Uprox	3	3-wire DC PNP	10-30 VDC	3000	≤200	-30 to +85	IP68	SS	PBT	N/A	YE	2M/PVC	A	3	A4
Bi3-M12-AD4X 4405035	Extended Range	3	2-wire DC	10-65 VDC	1000	≤100	-25 to +70	IP67	CPB	PA 12	N/A	YE	2M/PVC	A	1	A2
Bi2U-M12E-AD4X 4405062	Uprox	2	2-wire DC	10-65 VDC	1000	≤100	-30 to +85	IP68	CPB	LCP	N/A	YE	2M/PVC	B	1	A2
Bi2-M12-AD4X 44050		2	2-wire DC	10-65 VDC	1000	≤100	-25 to +70	IP67	CPB	PA 12	N/A	YE	2M/PVC	A	1	A2
Bi2-M12-AP6X 46050		2	3-wire DC PNP	10-30 VDC	2000	≤200	-25 to +70	IP67	CPB	PA 12	N/A	YE	2M/PVC	A	3	A4
Bi2-M12-VN6X 16402	Comp. Outputs	2	4-wire DC NPN	10-30 VDC	2000	≤200	-25 to +70	IP67	CPB	PA 12	N/A	YE	2M/PVC	A	4	A4
Bi2-M12-VP6X 16302	Comp. Outputs	2	4-wire DC PNP	10-30 VDC	2000	≤200	-25 to +70	IP67	CPB	PA 12	N/A	YE	2M/PVC	A	5	A4

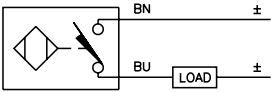
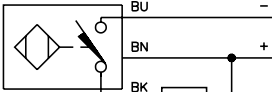
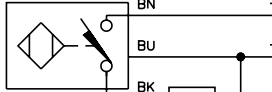
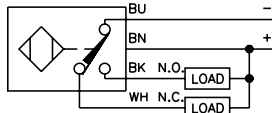
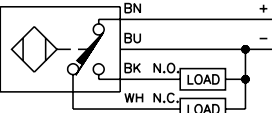
Inductive Barrel Sensors



Inductive Barrel Sensors | 12 mm

Nonembeddable Threaded Metal Barrels with Cable and DC Outputs

Housing Style	Dimension Drawings
	<p>A</p> <p>12 mm - Nonembeddable, Potted-in Cable</p>
<p>B</p> <p>12 mm - Nonembeddable, Potted-In Cable, Extended Barrel Length</p>	

Wiring Diagrams/Mating Cordsets		
<p>1</p> 	<p>2</p> 	<p>3</p> 
<p>4</p> 	<p>5</p> 	

A2 2-wire DC - (AD, RD, AG)	
<p>Ripple: $\leq 10\%$</p> <p>Differential Travel (Hysteresis): 3-15% (5% typical)</p> <p>Voltage Drop Across Conducting Sensor: Non-polarized (AD) $< 5.0\text{ V}$ Polarized (AG) $\leq 4.2\text{ V}$</p> <p>Trigger Current for Short Circuit Protection: $\geq 120\text{ mA}$</p> <p>Minimum Load Current: $\geq 3.0\text{ mA}$</p>	<p>Off-State (Leakage) Current: $\leq 0.8\text{ mA}$</p> <p>Power-On Effect: Per IEC 947-5-2</p> <p>Transient Protection: Per EN 60947-5-2</p> <p>Shock: 30 g, 11 ms</p> <p>Vibration: 55 Hz, 1 mm Amplitude in all 3 Planes</p> <p>Repeatability: $\leq 2\%$ of Rated Operating Distance</p>
A4 3 and 4-wire DC - (AN, RN, AP, RP, VN, VP)	
<p>Ripple: $\leq 10\%$</p> <p>Differential Travel (Hysteresis): 3-15% (5% typical)</p> <p>Voltage Drop Across Conducting Sensor: $\leq 1.8\text{ V}$</p> <p>Trigger Current for Short Circuit Protection: $\geq 220\text{ mA}$ on 200 mA Load Current $\geq 170\text{ mA}$ on 150 mA Load Current $\geq 120\text{ mA}$ on 100 mA Load Current</p> <p>Off-State (Leakage) Current: $\leq 0.1\text{ mA}$</p> <p>No-Load Current: $\leq 15\text{ mA}$ (Ferrite, Uprox) $\leq 20\text{ mA}$ (Uprox+, Uprox3)</p>	<p>Time Delay Before Availability: $\leq 8\text{ ms}$</p> <p>Power-On Effect: Per IEC 947-5-2</p> <p>Reverse Polarity Protection: Incorporated</p> <p>Wire-Break Protection: Incorporated</p> <p>Transient Protection: Per EN 60947-5-2</p> <p>Temperature Drift: $\leq \pm 10\%$</p> <p>Shock: 30 g, 11 ms</p> <p>Vibration: 55 Hz, 1 mm Amplitude in all 3 Planes</p> <p>Repeatability: $\leq 2\%$ of Rated Operating Distance</p>

We reserve the right to make technical alterations without prior notice.



Inductive Barrel Sensors | 12 mm

Nonembeddable Threaded Metal Barrels with Cable and DC Outputs

Part Number/ ID Number	Features	Sensing Range (mm)	Output	Voltage	Switching Freq. (Hz)	Operating Current (mA)	Operating Temp. (°C)	Protection	Housing	Face	Power LED	Output LED	Cable Length/Jacket	Dimension Drawings	Wiring Diagrams	Spec List
Ni10U-M12-AN6X 1634825	Uprox	10	3-wire DC NPN	10-30 VDC	1000	≤200	-30 to +85	IP68	CPB	LCP	N/A	YE	2M/PVC	A	2	A4
Ni10U-M12-AP6X 1634805	Uprox	10	3-wire DC PNP	10-30 VDC	1000	≤200	-30 to +85	IP68	CPB	LCP	N/A	YE	2M/PVC	A	3	A4
Ni8U-M12-AN6X 1644120	Uprox	8	3-wire DC NPN	10-30 VDC	2000	≤200	-30 to +85	IP67	CPB	LCP	N/A	YE	2M/PVC	A	2	A4
Ni8U-M12-AP6X 1644100	Uprox	8	3-wire DC PNP	10-30 VDC	2000	≤200	-30 to +85	IP67	CPB	LCP	N/A	YE	2M/PVC	A	3	A4
Ni8U-M12E-AP6X 1644102	Uprox	8	3-wire DC PNP	10-30 VDC	2000	≤200	-30 to +85	IP67	CPB	LCP	N/A	YE	2M/PVC	B	3	A4
Ni8U-EM12-AP6X 1644300	Uprox	8	3-wire DC PNP	10-30 VDC	2000	≤200	-30 to +85	IP68	SS	LCP	N/A	YE	2M/PVC	A	3	A4
Ni8-M12-AD4X 4411235	Extended Range	8	2-wire DC	10-65 VDC	1000	≤100	-25 to +70	IP67	CPB	PA 12	N/A	YE	2M/PVC	A	1	A2
Ni8-M12-AN6X 4611318	Extended Range	8	3-wire DC NPN	10-30 VDC	2000	≤200	-25 to +70	IP67	CPB	PA 12	N/A	YE	2M/PVC	A	2	A4
Ni8-M12E-AN6X 4611326		8	3-wire DC NPN	10-30 VDC	2000	≤200	-25 to +70	IP67	CPB	PA 12	N/A	YE	2M/PVC	B	2	A4
Ni8-M12-AP6X 4611319	Extended Range	8	3-wire DC PNP	10-30 VDC	2000	≤200	-25 to +70	IP67	CPB	PA 12	N/A	YE	2M/PVC	A	3	A4
Ni8-M12-VN6X 4611321	Ext. Range, Comp. Outputs	8	4-wire DC NPN	10-30 VDC	2000	≤200	-25 to +70	IP67	CPB	PA 12	N/A	YE	2M/PVC	A	4	A4
Ni8-M12-VP6X 4611322	Ext. Range, Comp. Outputs	8	4-wire DC PNP	10-30 VDC	2000	≤200	-25 to +70	IP67	CPB	PA 12	N/A	YE	2M/PVC	A	5	A4
Ni4-M12-AD4X 44052		4	2-wire DC	10-65 VDC	1000	≤100	-25 to +70	IP67	CPB	PA 12	N/A	YE	2M/PVC	A	1	A2
Ni4-M12E-AD4X 4405298		4	2-wire DC	10-65 VDC	1000	≤100	-25 to +70	IP67	CPB	PA 12	N/A	YE	2M/PVC	B	1	A2
Ni4-M12-AP6X 46052		4	3-wire DC PNP	10-30 VDC	2000	≤200	-25 to +70	IP67	CPB	PA 12	N/A	YE	2M/PVC	A	3	A4


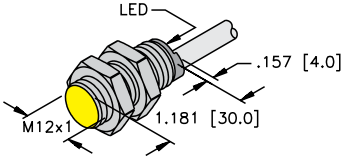
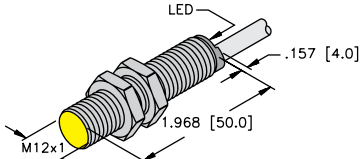
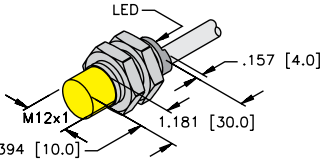
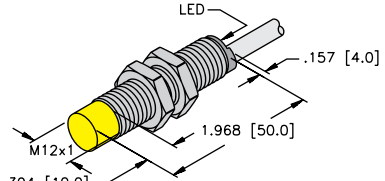
We reserve the right to make technical alterations without prior notice.

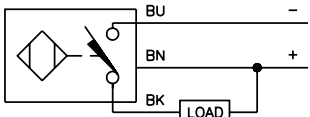
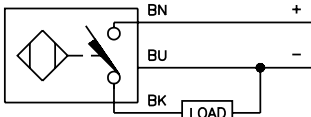
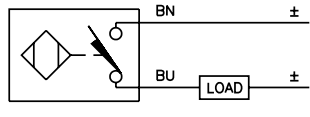
Inductive Barrel Sensors



Inductive Barrel Sensors | 12 mm

Fully Threaded Metal Barrels with Cable and DC Outputs

Housing Style	Dimension Drawings	
	<p>A</p>  <p>12 mm - Embeddable, Potted-In Cable</p>	<p>B</p>  <p>12 mm - Embeddable, Potted-In Cable</p>
<p>C</p>  <p>12 mm - Nonembeddable, Potted-In Cable</p>	<p>D</p>  <p>12 mm - Nonembeddable, Potted-In Cable</p>	

Wiring Diagrams/Mating Cordsets		
<p>1</p> 	<p>2</p> 	<p>3</p> 

A2	2-wire DC - (AD, RD, AG)	
<p>Ripple: $\leq 10\%$</p> <p>Differential Travel (Hysteresis): 3-15% (5% typical)</p> <p>Voltage Drop Across Conducting Sensor: Non-polarized (AD) $< 5.0\text{ V}$ Polarized (AG) $\leq 4.2\text{ V}$</p> <p>Trigger Current for Short Circuit Protection: $\geq 120\text{ mA}$</p> <p>Minimum Load Current: $\geq 3.0\text{ mA}$</p>	<p>Off-State (Leakage) Current: $\leq 0.8\text{ mA}$</p> <p>Power-On Effect: Per IEC 947-5-2</p> <p>Transient Protection: Per EN 60947-5-2</p> <p>Shock: 30 g, 11 ms</p> <p>Vibration: 55 Hz, 1 mm Amplitude in all 3 Planes</p> <p>Repeatability: $\leq 2\%$ of Rated Operating Distance</p>	
A4	3 and 4-wire DC - (AN, RN, AP, RP, VN, VP)	
<p>Ripple: $\leq 10\%$</p> <p>Differential Travel (Hysteresis): 3-15% (5% typical)</p> <p>Voltage Drop Across Conducting Sensor: $\leq 1.8\text{ V}$</p> <p>Trigger Current for Short Circuit Protection: $\geq 220\text{ mA}$ on 200 mA Load Current $\geq 170\text{ mA}$ on 150 mA Load Current $\geq 120\text{ mA}$ on 100 mA Load Current</p> <p>Off-State (Leakage) Current: $\leq 0.1\text{ mA}$</p> <p>No-Load Current: $\leq 15\text{ mA}$ (Ferrite, Uprox) $\leq 20\text{ mA}$ (Uprox+, Uprox3)</p>	<p>Time Delay Before Availability: $\leq 8\text{ ms}$</p> <p>Power-On Effect: Per IEC 947-5-2</p> <p>Reverse Polarity Protection: Incorporated</p> <p>Wire-Break Protection: Incorporated</p> <p>Transient Protection: Per EN 60947-5-2</p> <p>Temperature Drift: $\leq \pm 10\%$</p> <p>Shock: 30 g, 11 ms</p> <p>Vibration: 55 Hz, 1 mm Amplitude in all 3 Planes</p> <p>Repeatability: $\leq 2\%$ of Rated Operating Distance</p>	

We reserve the right to make technical alterations without prior notice.



Inductive Barrel Sensors | 12 mm

Fully Threaded Metal Barrels with Cable and DC Outputs


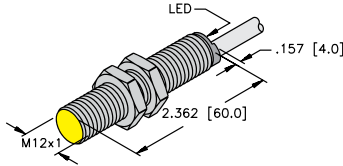
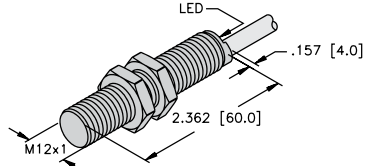
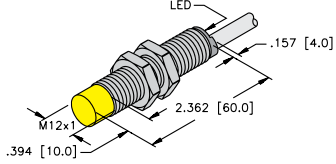
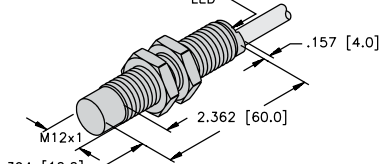
Part Number/ ID Number	Features	Sensing Range (mm)	Output	Voltage	Switching Freq. (Hz)	Operating Current (mA)	Operating Temp. (°C)	Protection	Housing	Face	Power LED	Output LED	Cable Length/Jacket	Dimension Drawings	Wiring Diagrams	Spec List
Bi4-G12-AN6X 1690706	Extended Range	4	3-wire DC NPN	10-30 VDC	2000	≤200	-25 to +70	IP67	CPB	PA 12	N/A	YE	2M/PVC	B	1	A4
Bi4-G12K-AN6X 4670251	Ext. Range, Short Barrel	4	3-wire DC NPN	10-30 VDC	2000	≤200	-25 to +70	IP67	CPB	PA 12	N/A	YE	2M/PVC	A	1	A4
Bi4-G12K-AP6X 4670250	Ext. Range, Short Barrel	4	3-wire DC PNP	10-30 VDC	2000	≤200	-25 to +70	IP67	CPB	PA 12	N/A	YE	2M/PVC	A	2	A4
Bi2-G12-AN6X 4635500		2	3-wire DC NPN	10-30 VDC	2000	≤200	-25 to +70	IP67	CPB	PA 12	N/A	YE	2M/PVC	B	1	A4
Bi2-G12-AN7X 4730500	TTL Compatible	2	3-wire DC NPN	10-30 VDC	2000	≤150	-25 to +70	IP67	CPB	PA 12	N/A	YE	2M/PVC	B	1	A4
Bi2-EG12-AP6X 4605001		2	3-wire DC PNP	10-30 VDC	2000	≤200	-25 to +70	IP67	SS	PA 12	N/A	YE	2M/PVC	B	2	A4
Bi2-G12-AP6X 4635400		2	3-wire DC PNP	10-30 VDC	2000	≤200	-25 to +70	IP67	CPB	PA 12	N/A	YE	2M/PVC	B	2	A4
Bi2-G12K-AN6X 46712	Short Barrel	2	3-wire DC NPN	10-30 VDC	2000	≤200	-25 to +70	IP67	CPB	PA 12	N/A	YE	2M/PVC	A	1	A4
Bi2-G12K-AP6X 46702	Short Barrel	2	3-wire DC PNP	10-30 VDC	2000	≤200	-25 to +70	IP67	CPB	PA 12	N/A	YE	2M/PVC	A	2	A4
Ni8-G12-AN6X 4611327	Extended Range	8	3-wire DC NPN	10-30 VDC	1500	≤200	-25 to +70	IP67	CPB	PA 12	N/A	YE	2M/PVC	D	1	A4
Ni8-G12K-AD4X 4411230	Short Barrel	8	2-wire DC	10-65 VDC	1000	≤100	-25 to +70	IP67	CPB	PA 12	N/A	YE	2M/PVC	C	3	A2
Ni5-G12K-AN6X 46713	Short Barrel	5	3-wire DC NPN	10-30 VDC	1500	≤200	-25 to +70	IP67	CPB	PA 12	N/A	YE	2M/PVC	C	2	A4
Ni5-G12K-AP6X 46703	Short Barrel	5	3-wire DC PNP	10-30 VDC	1500	≤200	-25 to +70	IP67	CPB	PA 12	N/A	YE	2M/PVC	C	2	A4
Ni5-G12-AN6X 4635700		5	3-wire DC NPN	10-30 VDC	1500	≤200	-25 to +70	IP67	CPB	PA 12	N/A	YE	2M/PVC	D	1	A4
Ni5-G12-AN7X 1714500	TTL Compatible	5	3-wire DC NPN	10-30 VDC	1500	≤150	-25 to +70	IP67	CPB	PA 12	N/A	YE	2M/PVC	D	1	A4
Ni5-G12-AP6X 46356		5	3-wire DC PNP	10-30 VDC	1500	≤200	-25 to +70	IP67	CPB	PA 12	N/A	YE	2M/PVC	D	2	A4

We reserve the right to make technical alterations without prior notice.

Inductive Barrel Sensors

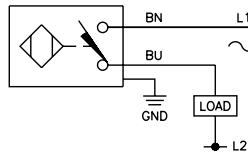
Inductive Barrel Sensors | 12 mm

Fully Threaded Metal Barrels with Cable and AC/DC Outputs

Housing Style	Dimension Drawings	
	<p>A</p>  <p>12 mm - Embeddable, Potted-In Cable</p>	<p>B</p>  <p>12 mm - Embeddable, Potted-In Cable, PTFE Coated</p>
<p>C</p>  <p>12 mm - Nonembeddable, Potted-In Cable</p>	<p>D</p>  <p>12 mm - Nonembeddable, Potted-In Cable, PTFE Coated</p>	

Wiring Diagrams/Mating Cordsets

1



A5	2-wire AC/DC w/ Short-Circuit Protection - (ADZ, RDZ, FDZ, VDZ)	
<p>Line Frequency: $\geq 50 \dots \leq 60$ Hz</p> <p>Differential Travel (Hysteresis): 3-15% (5% typical)</p> <p>Voltage Drop Across Conducting Sensor: ≤ 6.0 V</p> <p>Trigger Current for Short Circuit Protection: AC: ≥ 440 mA; DC: ≥ 330 mA AC: ≥ 120 mA; DC: ≥ 120 mA</p> <p>Continuous Load Current: AC: ≤ 400 mA; DC: ≤ 300 mA AC: ≤ 100 mA; DC: ≤ 100 mA</p> <p>Off-State (Leakage) Current: ≤ 1.7 mA (AC) ≤ 1.5 mA (DC)</p>		<p>Minimum Load Current: ≥ 3.0 mA</p> <p>Inrush Current: ≤ 3 A (≤ 20 ms, max 5 Hz)</p> <p>Power-On Effect: Per IEC 947-5-2</p> <p>Transient Protection: Per EN 60947-5-2</p> <p>Shock: 30 g, 11 ms</p> <p>Vibration: 55 Hz, 1 mm Amplitude, in all 3 Planes</p> <p>Repeatability: $\leq 2\%$ of Rated Operating Distance</p>
A6	2-wire AC/DC w/o Short-Circuit Protection - (AZ, RZ, FZ)	
<p>Line Frequency: $\geq 50 \dots \leq 60$ Hz</p> <p>Differential Travel (Hysteresis): 3-15% (5% typical)</p> <p>Voltage Drop Across Conducting Sensor: ≤ 6.0 V</p> <p>Continuous Load Current: AC: ≤ 400 mA; DC: ≤ 300 mA AC: ≤ 100 mA; DC: ≤ 100 mA</p> <p>Off-State (Leakage) Current: ≤ 1.7 mA</p> <p>Minimum Load Current: ≥ 3.0 mA</p>		<p>Inrush Current: ≤ 8 A (≤ 10ms max. 5 Hz) ≤ 1 A (≤ 10 ms max. 5 Hz) 12 mm ≤ 0.2 A (≤ 10 ms max. 0.2 Hz) 8 mm</p> <p>Power-On Effect: Per IEC 947-5-2</p> <p>Transient Protection: Per EN 60947-5-2</p> <p>Shock: 30 g, 11 ms</p> <p>Vibration: 55 Hz, 1 mm Amplitude, in all 3 Planes</p> <p>Repeatability: $\leq 2\%$ of Rated Operating Distance</p>

We reserve the right to make technical alterations without prior notice.



Inductive Barrel Sensors | 12 mm

Fully Threaded Metal Barrels with Cable and AC/DC Outputs


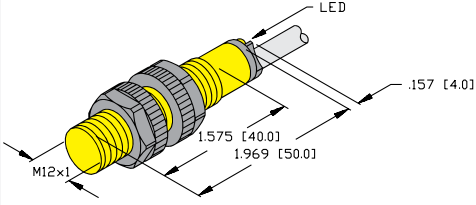
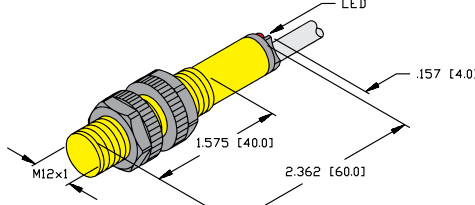
Part Number/ ID Number	Features	Sensing Range (mm)	Output	Voltage	Switching Freq. (Hz)	Operating Current (mA)	Operating Temp. (°C)	Protection	Housing	Face	Power LED	Output LED	Cable Length/Jacket	Dimension Drawings	Wiring Diagrams	Spec List
Bi4-G12-ADZ32X 4205030	Extended Range	4	2-wire AC/DC Short-Circuit Protected	20-250 VAC/10-300 VDC	20	≤100	-25 to +70	IP67	CPB	PA 12	N/A	YE	2M/PVC	A	1	A5
Bi2-G12-ADZ32X 4205000		2	2-wire AC/DC Short-Circuit Protected	20-250 VAC/10-300 VDC	20	≤100	-25 to +70	IP67	CPB	PA 12	N/A	YE	2M/PVC	A	1	A5
Bi2-G12-AZ33X 1304002		2	2-wire AC/DC	35-250 VAC	20	≤200	-25 to +70	IP67	CPB	PA 12	N/A	YE	2M/PVC	A	1	A6
Bi2-GT12-ADZ32X/S34 4205210	PTFE, WFI	2	2-wire AC/DC Short-Circuit Protected	20-250 VAC/10-300 VDC	20	≤100	-25 to +70	IP67	TC	TC	N/A	YE	2M/PVC	B	1	A5
Bi2-GT12-AZ33X/S34 1304052	PTFE, WFI	2	2-wire AC/DC	35-250 VAC	20	≤200	-25 to +70	IP67	TC	TC	N/A	YE	2M/PVC	B	1	A6
Ni8-G12-ADZ32X 4205400	Extended Range	8	2-wire AC/DC Short-Circuit Protected	20-250 VAC/10-300 VDC	20	≤100	-25 to +70	IP67	CPB	PA 12	N/A	YE	2M/PVC	C	1	A5
Ni4-G12-AZ33X 1304202		4	2-wire AC/DC	35-250 VAC	20	≤100	-25 to +70	IP67	CPB	PA 12	N/A	YE	2M/PVC	C	1	A6
Ni4-G12-ADZ32X 4205200		4	2-wire AC/DC Short-Circuit Protected	20-250 VAC/10-300 VDC	20	≤100	-25 to +70	IP67	CPB	PA 12	N/A	YE	2M/PVC	C	1	A5
Ni4-GT12-ADZ32X/S34 4205210	PTFE, WFI	4	2-wire AC/DC Short-Circuit Protected	20-250 VAC/10-300 VDC	20	≤100	-25 to +70	IP67	TC	TC	N/A	YE	2M/PVC	D	1	A5
Ni4-GT12-AZ33X/S34 1304294	PTFE, WFI	4	2-wire AC/DC	35-250 VAC	20	≤100	-25 to +70	IP67	TC	TC	N/A	YE	2M/PVC	D	1	A6

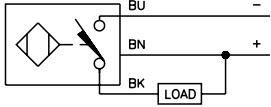
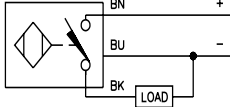
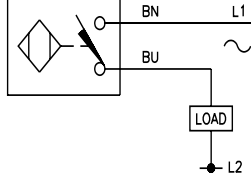
We reserve the right to make technical alterations without prior notice.

Inductive Barrel Sensors

Inductive Barrel Sensors | 12 mm

Threaded Plastic Barrels with Cable and AC/DC Outputs

Housing Style	Dimension Drawings	
	<p>A</p>  <p>12 mm - Embeddable/Nonembeddable, Plastic, Potted-In Cable</p>	<p>B</p>  <p>12 mm - Embeddable/Nonembeddable, Plastic, Potted-In Cable</p>

Wiring Diagrams/Mating Cordsets		
<p>1</p> 	<p>2</p> 	<p>3</p> 

A4 3 and 4-wire DC - (AN, RN, AP, RP, VN, VP)		
<p>Ripple: $\leq 10\%$</p> <p>Differential Travel (Hysteresis): 3-15% (5% typical)</p> <p>Voltage Drop Across Conducting Sensor: $\leq 1.8\text{ V}$</p> <p>Trigger Current for Short Circuit Protection: $\geq 220\text{ mA}$ on 200 mA Load Current $\geq 170\text{ mA}$ on 150 mA Load Current $\geq 120\text{ mA}$ on 100 mA Load Current</p> <p>Off-State (Leakage) Current: $\leq 0.1\text{ mA}$</p> <p>No-Load Current: $\leq 15\text{ mA}$ (Ferrite, Uprox) $\leq 20\text{ mA}$ (Uprox+, Uprox3)</p>	<p>Time Delay Before Availability: $\leq 8\text{ ms}$</p> <p>Power-On Effect: Per IEC 947-5-2</p> <p>Reverse Polarity Protection: Incorporated</p> <p>Wire-Break Protection: Incorporated</p> <p>Transient Protection: Per EN 60947-5-2</p> <p>Temperature Drift: $\leq \pm 10\%$</p> <p>Shock: 30 g, 11 ms</p> <p>Vibration: 55 Hz, 1 mm Amplitude in all 3 Planes</p> <p>Repeatability: $\leq 2\%$ of Rated Operating Distance</p>	
A6 2-wire AC/DC w/o Short-Circuit Protection - (AZ, RZ, FZ)		
<p>Line Frequency: $\geq 50\text{...} \leq 60\text{ Hz}$</p> <p>Differential Travel (Hysteresis): 3-15% (5% typical)</p> <p>Voltage Drop Across Conducting Sensor: $\leq 6.0\text{ V}$</p> <p>Continuous Load Current: AC: $\leq 400\text{ mA}$; DC: $\leq 300\text{ mA}$ AC: $\leq 100\text{ mA}$; DC: $\leq 100\text{ mA}$</p> <p>Off-State (Leakage) Current: $\leq 1.7\text{ mA}$</p> <p>Minimum Load Current: $\geq 3.0\text{ mA}$</p>	<p>Inrush Current: $\leq 8\text{ A}$ ($\leq 10\text{ms}$ max. 5 Hz) $\leq 1\text{ A}$ ($\leq 10\text{ ms}$ max. 5 Hz) 12 mm $\leq 0.2\text{ A}$ ($\leq 10\text{ ms}$ max. 0.2 Hz) 8 mm</p> <p>Power-On Effect: Per IEC 947-5-2</p> <p>Transient Protection: Per EN 60947-5-2</p> <p>Shock: 30 g, 11 ms</p> <p>Vibration: 55 Hz, 1 mm Amplitude, in all 3 Planes</p> <p>Repeatability: $\leq 2\%$ of Rated Operating Distance</p>	

We reserve the right to make technical alterations without prior notice.



Inductive Barrel Sensors | 12 mm

Threaded Plastic Barrels with Cable and AC/DC Outputs


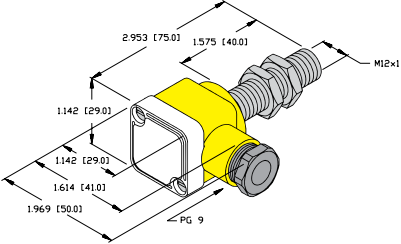
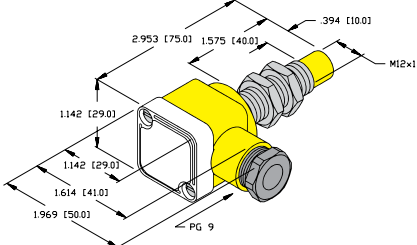
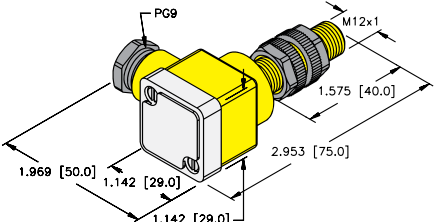
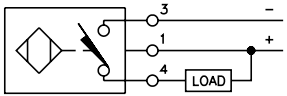
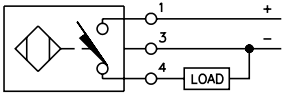
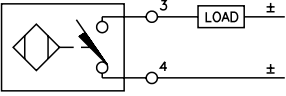
Part Number/ ID Number	Features	Sensing Range (mm)	Output	Voltage	Switching Freq. (Hz)	Operating Current (mA)	Operating Temp. (°C)	Protection	Housing	Face	Power LED	Output LED	Cable Length/Jacket	Dimension Drawings	Wiring Diagrams	Spec List
Bi3U-S12-AN6X 1634520	Uprox	3	3-wire DC NPN	10-30 VDC	3000	≤200	-30 to +85	IP68	PBT	PBT	N/A	YE	2M/PVC	A	1	A4
Bi3U-S12-AP6X 1634500	Uprox	3	3-wire DC PNP	10-30 VDC	3000	≤200	-30 to +85	IP68	PBT	PBT	N/A	YE	2M/PVC	A	2	A4
Bi2-S12-AN6X 46531		2	3-wire DC NPN	10-30 VDC	2000	≤200	-25 to +70	IP67	PA 12	PA 12	N/A	YE	2M/PVC	B	1	A4
Bi2-S12-AN7X 1713800	TTL Compatible	2	3-wire DC NPN	10-30 VDC	2000	≤200	-25 to +70	IP67	PA 12	PA 12	N/A	YE	2M/PVC	B	1	A4
Bi2-S12-AP6X 46530		2	3-wire DC PNP	10-30 VDC	2000	≤200	-25 to +70	IP67	PA 12	PA 12	N/A	YE	2M/PVC	B	2	A4
Bi2-S12-AP7X/S100 17555	TTL Compatible, High Temp. 100 °C	2	3-wire DC PNP	10-30 VDC	2000	≤200	-25 to +100	IP67	PA 12	PA 12	N/A	YE	2M/PVC	B	2	A4
Bi2-S12-AZ31X 13020		2	2-wire AC/DC	20-250 VAC/10- 300 VDC	20	≤100	-25 to +70	IP67	PA 12	PA 12	N/A	RD	2M/PVC	B	3	A6
Bi2-S12-AZ31X/S100 1302001	High Temp. 100 °C	2	2-wire AC/DC	20-250 VAC/10- 300 VDC	20	≤100	-25 to +100	IP67	PA 12	PA 12	N/A	RD	2M/PVC	B	3	A6
Ni8U-S12-AN6X 1644520	Uprox	8	3-wire DC NPN	10-30 VDC	2000	≤200	-30 to +85	IP68	PBT	PBT	N/A	YE	2M/PVC	A	1	A4
Ni8U-S12-AP6X 1644500	Uprox	8	3-wire DC PNP	10-30 VDC	2000	≤200	-30 to +85	IP68	PBT	PBT	N/A	YE	2M/PVC	A	2	A4
Ni4-S12-AN6X 46533		4	3-wire DC NPN	10-30 VDC	2000	≤200	-25 to +70	IP67	PA 12	PA 12	N/A	YE	2M/PVC	B	1	A4
Ni4-S12-AN7X 1713900	TTL Compatible	4	3-wire DC NPN	10-30 VDC	1500	≤200	-25 to +70	IP67	PA 12	PA 12	N/A	YE	2M/PVC	B	1	A4
Ni4-S12-AP6X 46532		4	3-wire DC PNP	10-30 VDC	2000	≤200	-25 to +70	IP67	PA 12	PA 12	N/A	YE	2M/PVC	B	2	A4
Ni4-S12-AZ31X 13022		4	2-wire AC/DC	20-250 VAC/10- 300 VDC	20	≤100	-25 to +70	IP67	PA 12	PA 12	N/A	RD	2M/PVC	B	3	A6
Ni4-S12-AZ31X/S100 1302201	High Temp. 100 °C	4	2-wire AC/DC	20-250 VAC/10- 300 VDC	20	≤100	-25 to +100	IP67	PA 12	PA 12	N/A	RD	2M/PVC	B	3	A6

We reserve the right to make technical alterations without prior notice.

Inductive Barrel Sensors

Inductive Barrel Sensors | 12 mm

Threaded Barrels with Terminal Chamber and DC Outputs

Housing Style	Dimension Drawings	
	<p>A</p>  <p>12 mm - Embeddable, Terminal Chamber</p>	
<p>B</p>  <p>12 mm - Nonembeddable, Terminal Chamber</p>	<p>C</p>  <p>12 mm - Embeddable/Nonembeddable, Plastic, Terminal Chamber</p>	
Wiring Diagrams/Mating Cordsets		
<p>1</p> 	<p>2</p> 	<p>3</p> 
A2 2-wire DC - (AD, RD, AG)		
<p>Ripple: $\leq 10\%$</p> <p>Differential Travel (Hysteresis): 3-15% (5% typical)</p> <p>Voltage Drop Across Conducting Sensor: Non-polarized (AD) $< 5.0\text{ V}$ Polarized (AG) $\leq 4.2\text{ V}$</p> <p>Trigger Current for Short Circuit Protection: $\geq 120\text{ mA}$</p> <p>Minimum Load Current: $\geq 3.0\text{ mA}$</p>	<p>Off-State (Leakage) Current: $\leq 0.8\text{ mA}$</p> <p>Power-On Effect: Per IEC 947-5-2</p> <p>Transient Protection: Per EN 60947-5-2</p> <p>Shock: 30 g, 11 ms</p> <p>Vibration: 55 Hz, 1 mm Amplitude in all 3 Planes</p> <p>Repeatability: $\leq 2\%$ of Rated Operating Distance</p>	
A4 3 and 4-wire DC - (AN, RN, AP, RP, VN, VP)		
<p>Ripple: $\leq 10\%$</p> <p>Differential Travel (Hysteresis): 3-15% (5% typical)</p> <p>Voltage Drop Across Conducting Sensor: $\leq 1.8\text{ V}$</p> <p>Trigger Current for Short Circuit Protection: $\geq 220\text{ mA}$ on 200 mA Load Current $\geq 170\text{ mA}$ on 150 mA Load Current $\geq 120\text{ mA}$ on 100 mA Load Current</p> <p>Off-State (Leakage) Current: $\leq 0.1\text{ mA}$</p> <p>No-Load Current: $\leq 15\text{ mA}$ (Ferrite, Uprox) $\leq 20\text{ mA}$ (Uprox+, Uprox3)</p>	<p>Time Delay Before Availability: $\leq 8\text{ ms}$</p> <p>Power-On Effect: Per IEC 947-5-2</p> <p>Reverse Polarity Protection: Incorporated</p> <p>Wire-Break Protection: Incorporated</p> <p>Transient Protection: Per EN 60947-5-2</p> <p>Temperature Drift: $\leq \pm 10\%$</p> <p>Shock: 30 g, 11 ms</p> <p>Vibration: 55 Hz, 1 mm Amplitude in all 3 Planes</p> <p>Repeatability: $\leq 2\%$ of Rated Operating Distance</p>	

We reserve the right to make technical alterations without prior notice.



Inductive Barrel Sensors | 12 mm

Threaded Barrels with Terminal Chamber and DC Outputs


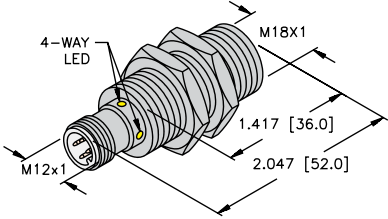
Part Number/ ID Number	Features	Sensing Range (mm)	Output	Voltage	Switching Freq. (Hz)	Operating Current (mA)	Operating Temp. (°C)	Protection	Housing	Face	Power LED	Output LED	Dimension Drawings	Wiring Diagrams	Spec List
Bi3U-EG12SK-AP6X 1634400	Uprox	3	3-wire DC PNP	10-30 VDC	3000	≤200	-30 to +85	IP68	SS	PBT	N/A	YE	A	2	A4
Bi3U-P12SK-AP6X 1634700	Uprox	3	3-wire DC PNP	10-30 VDC	3000	≤200	-30 to +85	IP68	PA 12	PA 12	N/A	YE	C	2	A4
Bi2-G12SK-AN6X2 4636500		2	3-wire DC NPN	10-30 VDC	2000	≤200	-25 to +70	IP67	CPB	PA 12	GN	YE	A	1	A4
Bi2-G12SK-AP6X2 4636400		2	3-wire DC PNP	10-30 VDC	2000	≤200	-25 to +70	IP67	CPB	PA 12	GN	YE	A	2	A4
Bi2-P12SK-AD4X 4453050		2	2-wire DC	10-65 VDC	1000	≤100	-25 to +70	IP67	PA 12	PA 12	N/A	YE	C	3	A2
Bi2-P12SK-AN6X2 4654000		2	3-wire DC NPN	10-30 VDC	2000	≤200	-25 to +70	IP67	PA 12	PA 12	GN	YE	C	1	A4
Bi2-P12SK-AP6X2 4653900		2	3-wire DC PNP	10-30 VDC	2000	≤200	-25 to +70	IP67	PA 12	PA 12	GN	YE	C	2	A4
Ni8U-EG12SK-AP6X 1644400	Uprox	8	3-wire DC PNP	10-30 VDC	2000	≤200	-30 to +85	IP68	SS	PBT	N/A	YE	B	2	A4
Ni5-G12SK-AP6X2 46366		5	3-wire DC PNP	10-30 VDC	1500	≤200	-25 to +70	IP67	CPB	PA 12	GN	YE	B	2	A4
Ni5-P12SK-AP6X2 4654100		5	3-wire DC PNP	10-30 VDC	1500	≤200	-25 to +70	IP67	PA 12	PA 12	GN	YE	C	2	A4

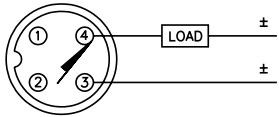
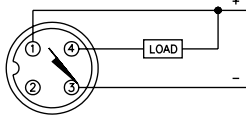
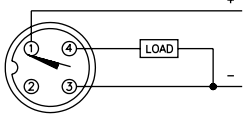
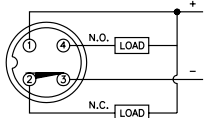
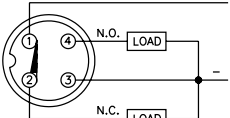
We reserve the right to make technical alterations without prior notice.

Inductive Barrel Sensors

Inductive Barrel Sensors | 18 mm

Embeddable Threaded Metal Barrels with Connector and DC Outputs

Housing Style	Dimension Drawings
	<p>A</p>  <p>18 mm - Embeddable M12 Eurofast Connection</p>

Wiring Diagrams/Mating Cordsets		
<p>1</p>  <p>Mating Cordset: RK 4.2T-*</p>	<p>2</p>  <p>Mating Cordset: RK 4T-*; RKV 4T-*</p>	<p>3</p>  <p>Mating Cordset: RK 4T-*; RKV 4T-*</p>
<p>4</p>  <p>Mating Cordset: RK 4.4T-*; RKV 4.4T-*</p>	<p>5</p>  <p>Mating Cordset: RK 4.4T-*</p>	

A2 2-wire DC - (AD, RD, AG)	
<p>Ripple: $\leq 10\%$</p> <p>Differential Travel (Hysteresis): 3-15% (5% typical)</p> <p>Voltage Drop Across Conducting Sensor: Non-polarized (AD) $< 5.0\text{ V}$ Polarized (AG) $\leq 4.2\text{ V}$</p> <p>Trigger Current for Short Circuit Protection: $\geq 120\text{ mA}$</p> <p>Minimum Load Current: $\geq 3.0\text{ mA}$</p>	<p>Off-State (Leakage) Current: $\leq 0.8\text{ mA}$</p> <p>Power-On Effect: Per IEC 947-5-2</p> <p>Transient Protection: Per EN 60947-5-2</p> <p>Shock: 30 g, 11 ms</p> <p>Vibration: 55 Hz, 1 mm Amplitude in all 3 Planes</p> <p>Repeatability: $\leq 2\%$ of Rated Operating Distance</p>
A4 3 and 4-wire DC - (AN, RN, AP, RP, VN, VP)	
<p>Ripple: $\leq 10\%$</p> <p>Differential Travel (Hysteresis): 3-15% (5% typical)</p> <p>Voltage Drop Across Conducting Sensor: $\leq 1.8\text{ V}$</p> <p>Trigger Current for Short Circuit Protection: $\geq 220\text{ mA}$ on 200 mA Load Current $\geq 170\text{ mA}$ on 150 mA Load Current $\geq 120\text{ mA}$ on 100 mA Load Current</p> <p>Off-State (Leakage) Current: $\leq 0.1\text{ mA}$</p> <p>No-Load Current: $\leq 15\text{ mA}$ (Ferrite, Uprox) $\leq 20\text{ mA}$ (Uprox+, Uprox3)</p>	<p>Time Delay Before Availability: $\leq 8\text{ ms}$</p> <p>Power-On Effect: Per IEC 947-5-2</p> <p>Reverse Polarity Protection: Incorporated</p> <p>Wire-Break Protection: Incorporated</p> <p>Transient Protection: Per EN 60947-5-2</p> <p>Temperature Drift: $\leq \pm 10\%$</p> <p>Shock: 30 g, 11 ms</p> <p>Vibration: 55 Hz, 1 mm Amplitude in all 3 Planes</p> <p>Repeatability: $\leq 2\%$ of Rated Operating Distance</p>

We reserve the right to make technical alterations without prior notice.



Inductive Barrel Sensors | 18 mm

Embeddable Threaded Metal Barrels with Connector and DC Outputs

Part Number/ ID Number	Features	Sensing Range (mm)	Output	Voltage	Switching Freq. (Hz)	Operating Current (mA)	Operating Temp. (°C)	Protection	Housing	Face	Power LED	Output LED	Dimension Drawings	Wiring Diagrams	Spec List
Bi10U-M18-AN6X-H1141 1644847	Uprox3	10	3-wire DC NPN	10-30 VDC	1500	≤200	-25 to +70	IP68	CPB	LCP	N/A	YE	A	2	A4
Bi10U-M18-AP6X-H1141 1644830	Uprox3	10	3-wire DC PNP	10-30 VDC	1500	≤200	-25 to +70	IP68	CPB	LCP	N/A	YE	A	3	A4
Bi10U-M18-VP6X-H1141 1644844	Uprox3, Comp. Outputs	10	4-wire DC PNP	10-30 VDC	1500	≤200	-25 to +70	IP68	CPB	LCP	N/A	YE	A	5	A4
Bi8U-M18-AN6X-H1141 1644737	Uprox+	8	3-wire DC NPN	10-30 VDC	1500	≤200	-30 to +85	IP68	CPB	LCP	N/A	YE	A	2	A4
Bi8U-EM18-AN6X-H1141 1644738	Uprox+	8	3-wire DC NPN	10-30 VDC	1500	≤200	-30 to +85	IP68	SS	LCP	N/A	YE	A	2	A4
Bi8U-M18-AP6X-H1141 1644731	Uprox+	8	3-wire DC PNP	10-30 VDC	1500	≤200	-30 to +85	IP68	CPB	LCP	N/A	YE	A	3	A4
Bi8U-EM18-AP6X-H1141 1644734	Uprox+	8	3-wire DC PNP	10-30 VDC	1500	≤200	-30 to +85	IP68	SS	LCP	N/A	YE	A	3	A4
Bi8-M18-AN6X-H1141 4615100	Extended Range	8	3-wire DC NPN	10-30 VDC	500	≤200	-25 to +70	IP67	SS	PA 12	N/A	YE	A	2	A4
Bi8-M18-AP6X-H1141 46150	Extended Range	8	3-wire DC PNP	10-30 VDC	500	≤200	-25 to +70	IP67	SS	PA 12	N/A	YE	A	3	A4
Bi8-EM18H-AP6X-H1141 4615094	Ext. Range, Stoneface	8	3-wire DC PNP	10-30 VDC	500	≤200	-25 to +70	IP67	SS	SF	N/A	YE	A	3	A4
Bi8-EM18-AP6X-H1141/S1589 4615099	Weldguard	8	3-wire DC PNP	10-30 VDC	500	≤200	-25 to +70	IP67	SS	WG	N/A	YE	A	3	A4
Bi8-M18-VN4X-H1141 4590702	Ext. Range, Comp. Outputs	8	4-wire DC NPN	10-65 VDC	500	≤200	-25 to +70	IP67	SS	PA 12	N/A	YE	A	4	A4
Bi8-M18-VP4X-H1141 4590701	Ext. Range, Comp. Outputs	8	4-wire DC PNP	10-65 VDC	500	≤200	-25 to +70	IP67	SS	PA 12	N/A	YE	A	5	A4
Bi7-M18-AD4X-H1141 4414541	Extended Range	7	2-wire DC	10-65 VDC	1000	≤100	-25 to +70	IP67	CPB	PA 12	N/A	YE	A	1	A2
Bi5U-M18-AN6X-H1141 1635150	Uprox	5	3-wire DC NPN	10-30 VDC	1500	≤200	-30 to +85	IP67	CPB	PBT	N/A	YE	A	2	A4
Bi5U-EM18-AN6X-H1141 1635350	Uprox	5	3-wire DC NPN	10-30 VDC	2500	≤200	-30 to +85	IP68	SS	PBT	N/A	YE	A	2	A4
Bi5U-M18-AP6X-H1141 1635140	Uprox	5	3-wire DC PNP	10-30 VDC	1500	≤200	-30 to +85	IP67	CPB	PBT	N/A	YE	A	3	A4
Bi5U-EM18-AP6X-H1141 1635340	Uprox	5	3-wire DC PNP	10-30 VDC	2500	≤200	-30 to +85	IP68	SS	PBT	N/A	YE	A	3	A4
Bi5-M18-AD4X-H1141 44145		5	2-wire DC	10-65 VDC	1000	≤100	-25 to +70	IP67	CPB	PA 12	N/A	YE	A	1	A2
Bi5-M18-AN6X-H1141 46146		5	3-wire DC NPN	10-30 VDC	1000	≤200	-25 to +70	IP67	CPB	PA 12	N/A	YE	A	2	A4
Bi5-M18-AP6X-H1141 46145		5	3-wire DC PNP	10-30 VDC	1000	≤200	-25 to +70	IP67	CPB	PA 12	N/A	YE	A	3	A4
Bi5-EM18-AP6X-H1141 4614501		5	3-wire DC PNP	10-30 VDC	1000	≤200	-25 to +70	IP67	SS	PA 12	N/A	YE	A	3	A4
Bi5-M18-VN4X-H1141 15718	Comp. Outputs	5	4-wire DC NPN	10-65 VDC	1000	≤200	-25 to +70	IP67	CPB	PA 12	N/A	YE	A	4	A4
Bi5-EM18-VN4X-H1141 4614699	Comp. Outputs	5	4-wire DC NPN	10-65 VDC	1000	≤200	-25 to +70	IP67	SS	PA 12	N/A	YE	A	4	A4
Bi5-M18-VP4X-H1141 15618	Comp. Outputs	5	4-wire DC PNP	10-65 VDC	1000	≤200	-25 to +70	IP67	CPB	PA 12	N/A	YE	A	5	A4

We reserve the right to make technical alterations without prior notice.

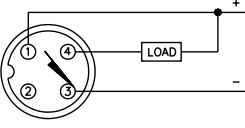
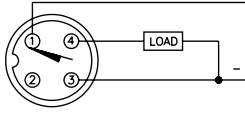
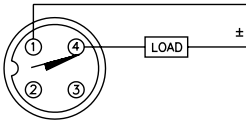
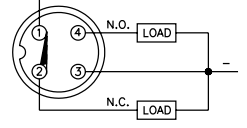
Inductive Barrel Sensors



Inductive Barrel Sensors | 18 mm

Embeddable Threaded Metal Barrels with Connector and DC Outputs

Housing Style	Dimension Drawings
	<p>A</p>  <p>18 mm - Embeddable, M12 Eurofast Connection</p>

Wiring Diagrams/Mating Cordsets			
<p>1</p>  <p>Mating Cordset: RK 4T-*; RKC 4T-*/S1587</p>	<p>2</p>  <p>Mating Cordset: RK 4T-*; RKC 4T-*/S1587</p>	<p>3</p>  <p>Mating Cordset: RK 4.23T-*</p>	<p>4</p>  <p>Mating Cordset: RK 4.4T-*</p>

A2	2-wire DC - (AD, RD, AG)	
<p>Ripple: $\leq 10\%$</p> <p>Differential Travel (Hysteresis): 3-15% (5% typical)</p> <p>Voltage Drop Across Conducting Sensor: Non-polarized (AD) $< 5.0\text{ V}$ Polarized (AG) $\leq 4.2\text{ V}$</p> <p>Trigger Current for Short Circuit Protection: $\geq 120\text{ mA}$</p> <p>Minimum Load Current: $\geq 3.0\text{ mA}$</p>	<p>Off-State (Leakage) Current: $\leq 0.8\text{ mA}$</p> <p>Power-On Effect: Per IEC 947-5-2</p> <p>Transient Protection: Per EN 60947-5-2</p> <p>Shock: 30 g, 11 ms</p> <p>Vibration: 55 Hz, 1 mm Amplitude in all 3 Planes</p> <p>Repeatability: $\leq 2\%$ of Rated Operating Distance</p>	
A4	3 and 4-wire DC - (AN, RN, AP, RP, VN, VP)	
<p>Ripple: $\leq 10\%$</p> <p>Differential Travel (Hysteresis): 3-15% (5% typical)</p> <p>Voltage Drop Across Conducting Sensor: $\leq 1.8\text{ V}$</p> <p>Trigger Current for Short Circuit Protection: $\geq 220\text{ mA}$ on 200 mA Load Current $\geq 170\text{ mA}$ on 150 mA Load Current $\geq 120\text{ mA}$ on 100 mA Load Current</p> <p>Off-State (Leakage) Current: $\leq 0.1\text{ mA}$</p> <p>No-Load Current: $\leq 15\text{ mA}$ (Ferrite, Uprox) $\leq 20\text{ mA}$ (Uprox+, Uprox3)</p>	<p>Time Delay Before Availability: $\leq 8\text{ ms}$</p> <p>Power-On Effect: Per IEC 947-5-2</p> <p>Reverse Polarity Protection: Incorporated</p> <p>Wire-Break Protection: Incorporated</p> <p>Transient Protection: Per EN 60947-5-2</p> <p>Temperature Drift: $\leq \pm 10\%$</p> <p>Shock: 30 g, 11 ms</p> <p>Vibration: 55 Hz, 1 mm Amplitude in all 3 Planes</p> <p>Repeatability: $\leq 2\%$ of Rated Operating Distance</p>	

We reserve the right to make technical alterations without prior notice.



Inductive Barrel Sensors | 18 mm

Embeddable Threaded Metal Barrels with Connector and DC Outputs

Part Number/ ID Number	Features	Sensing Range (mm)	Output	Voltage	Switching Freq. (Hz)	Operating Current (mA)	Operating Temp. (°C)	Protection	Housing	Face	Power LED	Output LED	Dimension Drawings	Wiring Diagrams	Spec List
Bi8U-EM18M-AP6X2-H1141/S1589 1644771	Uprox+, Weldguard	8	3-wire DC PNP	10-30 VDC	1000	≤200	-30 to +85	IP68	SS	WG	GN	YE	A	2	A4
Bi8U-M18M-VP44X-H1141 1634877	Uprox+, Comp. Outputs	8	4-wire DC PNP	10-55 VDC	1500	≤200	-30 to +85	IP68	CPB	LCP	N/A	YE	A	4	A4
Bi8-M18M-AP6X-H1141 4615083	Extended Range	8	3-wire DC PNP	10-30 VDC	500	≤200	-25 to +75	IP67	CPB	PBT	N/A	YE	A	2	A4
Bi5U-M18M-AD4X-H1144 4405066	Uprox+	5	2-wire DC	10-65 VDC	10	≤100	-30 to +85	IP68	TC	LCP	N/A	YE	A	3	A2
Bi5U-M18-AN6X-H1141/S395 1635154	Uprox	5	3-wire DC NPN	10-30 VDC	1500	≤200	-30 to +85	IP67	CPB	PA 12	N/A	YE	A	1	A4
Bi5U-M18-AP6X-H1141/S395 1635141	Uprox	5	3-wire DC PNP	10-30 VDC	1500	≤200	-30 to +85	IP67	CPB	PBT	N/A	YE	A	2	A4
Bi5U-EM18-AP6X-H1141/S395 1635342	Uprox	5	3-wire DC PNP	10-30 VDC	2500	≤200	-30 to +85	IP68	SS	PA 12	N/A	YE	A	2	A4
Bi5U-EM18H-AN6X2-H1141/S395 1635146	Uprox, Stoneface	5	3-wire DC NPN	10-30 VDC	2500	≤200	-30 to +85	IP68	SS	SF	GN	YE	A	1	A4
Bi5U-EM18H-AN6X2-H1141/S395/S1589 1635196	Uprox, Weldguard	5	3-wire DC NPN	10-30 VDC	2500	≤200	-30 to +85	IP68	SS	WG	GN	YE	A	1	A4
Bi5U-EM18H-AP6X2-H1141/S395 1635158	Uprox, Stoneface	5	3-wire DC PNP	10-30 VDC	2500	≤200	-30 to +85	IP68	SS	SF	GN	YE	A	2	A4
Bi5U-EM18-AP6X2-H1141/S395/S1589 1635197	Uprox, Weldguard	5	3-wire DC PNP	10-30 VDC	2500	≤200	-30 to +85	IP68	SS	WG	GN	YE	A	2	A4
Bi5U-EM18M-AP6X2-H1141 1635349	Uprox	5	3-wire DC PNP	10-30 VDC	2500	≤200	-30 to +85	IP68	SS	PBT	GN	YE	A	2	A4


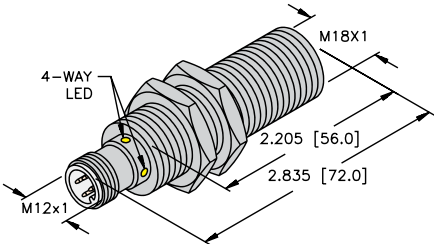
We reserve the right to make technical alterations without prior notice.

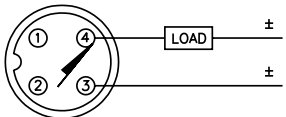
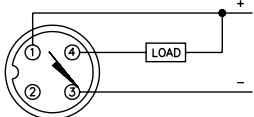
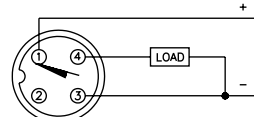
Inductive Barrel Sensors



Inductive Barrel Sensors | 18 mm

Embeddable Threaded Metal Barrels with Connector and DC Outputs

Housing Style	Dimension Drawings
	<p>A</p>  <p>18 mm - Embeddable, Ext. Barrel Length, M12 Eurofast Connection</p>

Wiring Diagrams/Mating Cordsets		
<p>1</p>  <p>Mating Cordset: RK 4.2T-*</p>	<p>2</p>  <p>Mating Cordset: RK 4T-*, RKC 4T-*/S1587</p>	<p>3</p>  <p>Mating Cordset: RK 4T-*, RKV 4T-*, RKC 4T-*/S1587</p>

A2	2-wire DC - (AD, RD, AG)	
<p>Ripple: $\leq 10\%$</p> <p>Differential Travel (Hysteresis): 3-15% (5% typical)</p> <p>Voltage Drop Across Conducting Sensor: Non-polarized (AD) $< 5.0\text{ V}$ Polarized (AG) $\leq 4.2\text{ V}$</p> <p>Trigger Current for Short Circuit Protection: $\geq 120\text{ mA}$</p> <p>Minimum Load Current: $\geq 3.0\text{ mA}$</p>		<p>Off-State (Leakage) Current: $\leq 0.8\text{ mA}$</p> <p>Power-On Effect: Per IEC 947-5-2</p> <p>Transient Protection: Per EN 60947-5-2</p> <p>Shock: 30 g, 11 ms</p> <p>Vibration: 55 Hz, 1 mm Amplitude in all 3 Planes</p> <p>Repeatability: $\leq 2\%$ of Rated Operating Distance</p>
A4	3 and 4-wire DC - (AN, RN, AP, RP, VN, VP)	
<p>Ripple: $\leq 10\%$</p> <p>Differential Travel (Hysteresis): 3-15% (5% typical)</p> <p>Voltage Drop Across Conducting Sensor: $\leq 1.8\text{ V}$</p> <p>Trigger Current for Short Circuit Protection: $\geq 220\text{ mA}$ on 200 mA Load Current $\geq 170\text{ mA}$ on 150 mA Load Current $\geq 120\text{ mA}$ on 100 mA Load Current</p> <p>Off-State (Leakage) Current: $\leq 0.1\text{ mA}$</p> <p>No-Load Current: $\leq 15\text{ mA}$ (Ferrite, Uprox) $\leq 20\text{ mA}$ (Uprox+, Uprox3)</p>		<p>Time Delay Before Availability: $\leq 8\text{ ms}$</p> <p>Power-On Effect: Per IEC 947-5-2</p> <p>Reverse Polarity Protection: Incorporated</p> <p>Wire-Break Protection: Incorporated</p> <p>Transient Protection: Per EN 60947-5-2</p> <p>Temperature Drift: $\leq \pm 10\%$</p> <p>Shock: 30 g, 11 ms</p> <p>Vibration: 55 Hz, 1 mm Amplitude in all 3 Planes</p> <p>Repeatability: $\leq 2\%$ of Rated Operating Distance</p>

We reserve the right to make technical alterations without prior notice.



Inductive Barrel Sensors | 18 mm

Embeddable Threaded Metal Barrels with Connector and DC Outputs

Part Number/ ID Number	Features	Sensing Range (mm)	Output	Voltage	Switching Freq. (Hz)	Operating Current (mA)	Operating Temp. (°C)	Protection	Housing	Face	Power LED	Output LED	Dimension Drawings	Wiring Diagrams	Spec List
Bi8U-EM18E-AP6X-H1141 1634865	Uprox+	8	3-wire DC PNP	10-30 VDC	1500	≤200	-30 to +85	IP68	SS	LCP	N/A	YE	A	3	A4
Bi8-M18E-AN6X-H1141 4615190	Extended Range	8	3-wire DC NPN	10-30 VDC	500	≤200	-25 to +70	IP67	SS	PA 12	N/A	YE	A	2	A4
Bi8-EM18HE-AN6X-H1141 4615194	Ext. Range, Stoneface	8	3-wire DC NPN	10-30 VDC	500	≤200	-25 to +70	IP67	SS	SF	N/A	YE	A	2	A4
Bi8-EM18E-AN6X-H1141/S1589 4615193	Ext. Range, Weldguard	8	3-wire DC NPN	10-30 VDC	500	≤200	-25 to +70	IP67	SS	WG	N/A	YE	A	2	A4
Bi8-EM18E-AP6X-H1141 46150952	Extended Range	8	3-wire DC PNP	10-30 VDC	500	≤200	-25 to +70	IP67	SS	PA 12	N/A	YE	A	3	A4
Bi8-EM18HE-AP6X-H1141 4615095	Ext. Range, Stoneface	8	3-wire DC PNP	10-30 VDC	500	≤200	-25 to +70	IP67	SS	SF	N/A	YE	A	3	A4
Bi8-EM18E-AP6X-H1141/S1589 4615096	Ext. Range, Weldguard	8	3-wire DC PNP	10-30 VDC	500	≤200	-25 to +70	IP67	SS	WG	N/A	YE	A	3	A4
Bi7-M18E-AD4X-H1141 4414580	Extended Range	7	2-wire DC	10-65 VDC	1000	≤100	-25 to +70	IP67	CPB	PA 12	N/A	YE	A	1	A2
Bi5U-M18E-AN6X-H1141 1635122	Uprox	5	3-wire DC NPN	10-30 VDC	1500	≤200	-30 to +85	IP67	CPB	PBT	N/A	YE	A	2	A4
Bi5U-M18E-AP6X-H1141 1635103	Uprox	5	3-wire DC PNP	10-30 VDC	1500	≤200	-30 to +85	IP67	CPB	PBT	N/A	YE	A	3	A4
Bi5-M18E-AD4X-H1141 4414591		5	2-wire DC	10-65 VDC	1000	≤100	-25 to +70	IP67	CPB	PA 12	N/A	YE	A	1	A2
Bi5-M18E-AN6X-H1141 4614697		5	3-wire DC NPN	10-30 VDC	1000	≤200	-25 to +70	IP67	CPB	PA 12	N/A	YE	A	2	A4


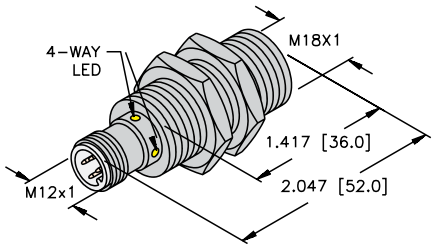
We reserve the right to make technical alterations without prior notice.

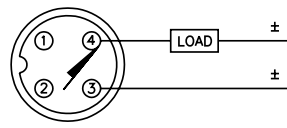
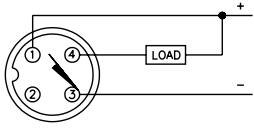
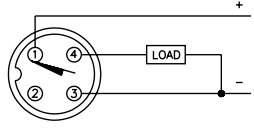
Inductive Barrel Sensors



Inductive Barrel Sensors | 18 mm

Embeddable Threaded PTFE Coated Metal Barrels with Connector and DC Outputs

Housing Style	Dimension Drawings
	<p>A</p>  <p>18 mm - Embeddable, M12 Eurofast Connection, PTFE Coated</p>

Wiring Diagrams/Mating Cordsets		
<p>1</p>  <p>Mating Cordset: RK 4.2T-*</p>	<p>2</p>  <p>Mating Cordset: RK 4T-*; RKC 4T-*/S1587</p>	<p>3</p>  <p>Mating Cordset: RK 4T-*</p>

A2 2-wire DC - (AD, RD, AG)	
<p>Ripple: ≤10%</p> <p>Differential Travel (Hysteresis): 3-15% (5% typical)</p> <p>Voltage Drop Across Conducting Sensor: Non-polarized (AD) <5.0 V Polarized (AG) ≤4.2 V</p> <p>Trigger Current for Short Circuit Protection: ≥120 mA</p> <p>Minimum Load Current: ≥3.0 mA</p>	<p>Off-State (Leakage) Current: ≤0.8 mA</p> <p>Power-On Effect: Per IEC 947-5-2</p> <p>Transient Protection: Per EN 60947-5-2</p> <p>Shock: 30 g, 11 ms</p> <p>Vibration: 55 Hz, 1 mm Amplitude in all 3 Planes</p> <p>Repeatability: ≤2% of Rated Operating Distance</p>
A4 3 and 4-wire DC - (AN, RN, AP, RP, VN, VP)	
<p>Ripple: ≤10%</p> <p>Differential Travel (Hysteresis): 3-15% (5% typical)</p> <p>Voltage Drop Across Conducting Sensor: ≤1.8 V</p> <p>Trigger Current for Short Circuit Protection: ≥220 mA on 200 mA Load Current ≥170 mA on 150 mA Load Current ≥120 mA on 100 mA Load Current</p> <p>Off-State (Leakage) Current: ≤0.1 mA</p> <p>No-Load Current: ≤15 mA (Ferrite, Uprox) ≤20 mA (Uprox+, Uprox3)</p>	<p>Time Delay Before Availability: ≤8 ms</p> <p>Power-On Effect: Per IEC 947-5-2</p> <p>Reverse Polarity Protection: Incorporated</p> <p>Wire-Break Protection: Incorporated</p> <p>Transient Protection: Per EN 60947-5-2</p> <p>Temperature Drift: ≤±10%</p> <p>Shock: 30 g, 11 ms</p> <p>Vibration: 55 Hz, 1 mm Amplitude in all 3 Planes</p> <p>Repeatability: ≤2% of Rated Operating Distance</p>

We reserve the right to make technical alterations without prior notice.



Inductive Barrel Sensors | 18 mm

Embeddable Threaded PTFE Coated Metal Barrels with Connector and DC Outputs


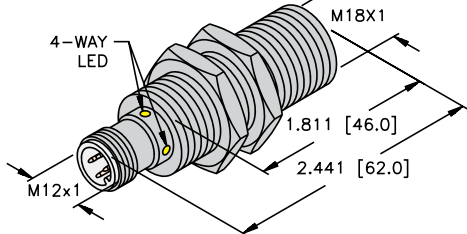
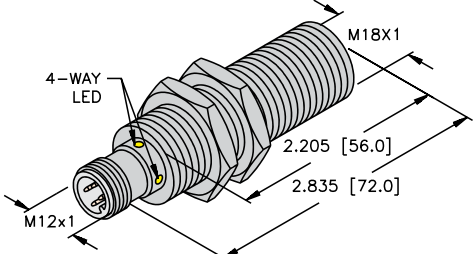
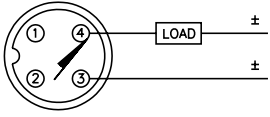
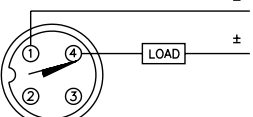
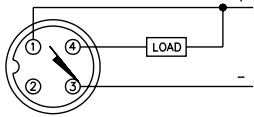
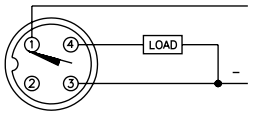
Part Number/ ID Number	Features	Sensing Range (mm)	Output	Voltage	Switching Freq. (Hz)	Operating Current (mA)	Operating Temp. (°C)	Protection	Housing	Face	Power LED	Output LED	Dimension Drawings	Wiring Diagrams	Spec List
Bi10U-MT18-AN6X-H1141 1644858	Uprox3, PTFE	10	3-wire DC NPN	10-30 VDC	1500	≤200	-25 to +70	IP68	TC	TC	N/A	YE	A	2	A4
Bi10U-MT18-AP6X-H1141 1644831	Uprox3, PTFE	10	3-wire DC PNP	10-30 VDC	1500	≤200	-25 to +70	IP68	TC	TC	N/A	YE	A	3	A4
Bi10U-MT18-AP6X2-H1141 1644905	Uprox3, PTFE	10	3-wire DC PNP	10-30 VDC	1500	≤200	-25 to +70	IP68	TC	TC	GN	YE	A	3	A4
Bi8U-MT18-AN6X-H1141 1644739	Uprox+, PTFE	8	3-wire DC NPN	10-30 VDC	1500	≤200	-30 to +85	IP68	TC	TC	N/A	YE	A	2	A4
Bi8U-MT18-AP6X-H1141 1644730	Uprox+, PTFE	8	3-wire DC PNP	10-30 VDC	1500	≤200	-30 to +85	IP68	TC	TC	N/A	YE	A	3	A4
Bi8U-MT18-AN6X-H1141/S1589 1644791	Uprox+, PTFE, Weldguard	8	3-wire DC NPN	10-30 VDC	1500	≤200	-30 to +85	IP68	TC	WG	N/A	YE	A	2	A4
Bi7-MT18H-AD4X-H1141 44145801	Ext. Range, PTFE	7	2-wire DC	10-65 VDC	1000	≤100	-25 to +70	IP67	TC	SF	N/A	YE	A	1	A2
Bi5U-MT18-AN6X-H1141 1635250	Uprox, PTFE	5	3-wire DC NPN	10-30 VDC	2500	≤200	-30 to +85	IP67	TC	TC	N/A	YE	A	2	A4
Bi5U-MT18-AP6X-H1141 1635240	Uprox, PTFE	5	3-wire DC PNP	10-30 VDC	2500	≤200	-30 to +85	IP67	TC	TC	N/A	YE	A	3	A4
Bi5U-MT18-AP6X2-H1141 1635245	Uprox, PTFE	5	3-wire DC PNP	10-30 VDC	2500	≤200	-30 to +85	IP67	TC	TC	GN	YE	A	3	A4

We reserve the right to make technical alterations without prior notice.

Inductive Barrel Sensors

Inductive Barrel Sensors | 18 mm

Embeddable Threaded PTFE Coated Metal Barrels with Connector and DC Outputs

Housing Style	Dimension Drawings		
	<p>A</p>  <p>18 mm - Embeddable, M12 Eurofast Connection, PTFE Coated</p>		
<p>B</p>  <p>18 mm - Embeddable, Ext. Barrel Length, M12 Eurofast Connection, PTFE Coated</p>			
Wiring Diagrams/Mating Cordsets			
<p>1</p>  <p>Mating Cordset: RK 4.2T-*</p>	<p>2</p>  <p>Mating Cordset: RK 4.23T-*</p>	<p>3</p>  <p>Mating Cordset: RK 4T-*; RKC 4T-*/S1587</p>	<p>4</p>  <p>Mating Cordset: RK 4T-*; RKC 4T-*/S1587</p>
A2 2-wire DC - (AD, RD, AG)			
<p>Ripple: ≤10%</p> <p>Differential Travel (Hysteresis): 3-15% (5% typical)</p> <p>Voltage Drop Across Conducting Sensor: Non-polarized (AD) <5.0 V Polarized (AG) ≤4.2 V</p> <p>Trigger Current for Short Circuit Protection: ≥120 mA</p> <p>Minimum Load Current: ≥3.0 mA</p>	<p>Off-State (Leakage) Current: ≤0.8 mA</p> <p>Power-On Effect: Per IEC 947-5-2</p> <p>Transient Protection: Per EN 60947-5-2</p> <p>Shock: 30 g, 11 ms</p> <p>Vibration: 55 Hz, 1 mm Amplitude in all 3 Planes</p> <p>Repeatability: ≤2% of Rated Operating Distance</p>		
A4 3 and 4-wire DC - (AN, RN, AP, RP, VN, VP)			
<p>Ripple: ≤10%</p> <p>Differential Travel (Hysteresis): 3-15% (5% typical)</p> <p>Voltage Drop Across Conducting Sensor: ≤1.8 V</p> <p>Trigger Current for Short Circuit Protection: ≥220 mA on 200 mA Load Current ≥170 mA on 150 mA Load Current ≥120 mA on 100 mA Load Current</p> <p>Off-State (Leakage) Current: ≤0.1 mA</p> <p>No-Load Current: ≤15 mA (Ferrite, Uprox) ≤20 mA (Uprox+, Uprox3)</p>	<p>Time Delay Before Availability: ≤8 ms</p> <p>Power-On Effect: Per IEC 947-5-2</p> <p>Reverse Polarity Protection: Incorporated</p> <p>Wire-Break Protection: Incorporated</p> <p>Transient Protection: Per EN 60947-5-2</p> <p>Temperature Drift: ≤±10%</p> <p>Shock: 30 g, 11 ms</p> <p>Vibration: 55 Hz, 1 mm Amplitude in all 3 Planes</p> <p>Repeatability: ≤2% of Rated Operating Distance</p>		

We reserve the right to make technical alterations without prior notice.



Inductive Barrel Sensors | 18 mm

Embeddable Threaded PTFE Coated Metal Barrels with Connector and DC Outputs

Part Number/ ID Number	Features	Sensing Range (mm)	Output	Voltage	Switching Freq. (Hz)	Operating Current (mA)	Operating Temp. (°C)	Protection	Housing	Face	Power LED	Output LED	Dimension Drawings	Wiring Diagrams	Spec List
Bi8U-MT18M-AP6X2-H1141 1644740	Uprox+, PTFE	8	3-wire DC PNP	10-30 VDC	1500	≤200	-30 to +85	IP68	TC	LCP	GN	YE	A	4	A4
Bi8U-MT18M-AP6X2-H1141/S1589 16447411	Uprox+, PTFE, Weldguard	8	3-wire DC PNP	10-30 VDC	1000	≤200	-30 to +85	IP68	TC	WG	GN	YE	A	4	A4
Bi7-MT18HE-AD4X-H1141 4414597	PTFE, Stoneface	7	2-wire DC	10-65 VDC	1000	≤100	-25 to +70	IP67	TC	SF	N/A	YE	B	1	A2
Bi7-MT18HE-AD4X-H1144 4414598	PTFE, Stoneface	7	2-wire DC	10-65 VDC	1000	≤100	-25 to +70	IP67	TC	SF	N/A	YE	B	2	A2
Bi7-MT18HE-AD4X-H1141/S1589 4414588	PTFE, Weldguard	7	2-wire DC	10-65 VDC	1000	≤100	-25 to +70	IP67	TC	WG	N/A	YE	B	1	A2
Bi7-MT18HE-AD4X-H1144/S1589 4414599	PTFE, Weldguard	7	2-wire DC	10-65 VDC	1000	≤100	-25 to +70	IP67	TC	WG	N/A	YE	B	2	A2
Bi5U-MT18E-AP6X2-H1141 1635247	Uprox, PTFE	5	3-wire DC PNP	10-30 VDC	2500	≤200	-30 to +85	IP68	TC	TC	GN	YE	B	4	A4
Bi5U-MT18M-AP6X2-H1141 1635252	Uprox, PTFE	5	3-wire DC PNP	10-30 VDC	1500	≤200	-30 to +85	IP67	TC	TC	GN	YE	A	4	A4
Bi5U-MT18H-AN6X2-H1141/S395 1635225	Uprox, PTFE, Stoneface	5	3-wire DC NPN	10-30 VDC	1500	≤200	-30 to +85	IP67	TC	SF	GN	YE	A	3	A4
Bi5U-MT18-AN6X2-H1141/S395/S1589 1635290	Uprox, PTFE, Weldguard	5	3-wire DC NPN	10-30 VDC	1500	≤200	-30 to +85	IP67	TC	WG	GN	YE	A	3	A4
Bi5U-MT18-AP6X-H1141/S395 1635231	Uprox, PTFE	5	3-wire DC PNP	10-30 VDC	1500	≤200	-30 to +85	IP67	TC	TC	N/A	YE	A	4	A4
Bi5U-MT18H-AP6X2-H1141/S395 1635220	Uprox, PTFE, Stoneface	5	3-wire DC PNP	10-30 VDC	1500	≤200	-30 to +85	IP67	TC	SF	GN	YE	A	4	A4
Bi5U-MT18-AP6X2-H1141/S395/S1589 1635291	Uprox, PTFE, Weldguard	5	3-wire DC PNP	10-30 VDC	1500	≤200	-30 to +85	IP67	TC	WG	GN	YE	A	4	A4


We reserve the right to make technical alterations without prior notice.

Inductive Barrel Sensors



Inductive Barrel Sensors | 18 mm

Nonembeddable Threaded Metal Barrels with Connector and DC Outputs

Housing Style	Dimension Drawings
	<p data-bbox="808 310 824 331">A</p> <p data-bbox="950 573 1356 594">18 mm - Nonembeddable, M12 Eurofast Connection</p>

Wiring Diagrams/Mating Cordsets		
<p data-bbox="105 661 121 682">1</p> <p data-bbox="227 850 430 871">Mating Cordset: RK 4.2T-*</p>	<p data-bbox="571 661 587 682">2</p> <p data-bbox="693 850 896 871">Mating Cordset: RK 4.23T-*</p>	<p data-bbox="1047 661 1063 682">3</p> <p data-bbox="1136 850 1339 871">Mating Cordset: RK 4T-*; RKV 4T-*</p>
<p data-bbox="105 888 121 909">4</p> <p data-bbox="194 1081 454 1102">Mating Cordset: RK 4T-*; RKV 4T-*</p>	<p data-bbox="571 888 587 909">5</p> <p data-bbox="698 1081 893 1102">Mating Cordset: RK 4.4T-*</p>	<p data-bbox="1047 888 1063 909">6</p> <p data-bbox="1169 1081 1364 1102">Mating Cordset: RK 4.4T-*</p>

A2	2-wire DC - (AD, RD, AG)	
<p data-bbox="397 1176 535 1197">Ripple: $\leq 10\%$</p> <p data-bbox="211 1207 641 1228">Differential Travel (Hysteresis): 3-15% (5% typical)</p> <p data-bbox="129 1239 698 1291">Voltage Drop Across Conducting Sensor: Non-polarized (AD) $< 5.0\text{ V}$ Polarized (AG) $\leq 4.2\text{ V}$</p> <p data-bbox="105 1291 560 1312">Trigger Current for Short Circuit Protection: $\geq 120\text{ mA}$</p> <p data-bbox="259 1323 560 1344">Minimum Load Current: $\geq 3.0\text{ mA}$</p>	<p data-bbox="909 1176 1234 1197">Off-State (Leakage) Current: $\leq 0.8\text{ mA}$</p> <p data-bbox="998 1207 1291 1228">Power-On Effect: Per IEC 947-5-2</p> <p data-bbox="966 1239 1307 1260">Transient Protection: Per EN 60947-5-2</p> <p data-bbox="1079 1270 1258 1291">Shock: 30 g, 11 ms</p> <p data-bbox="1055 1302 1469 1323">Vibration: 55 Hz, 1 mm Amplitude in all 3 Planes</p> <p data-bbox="1023 1333 1437 1354">Repeatability: $\leq 2\%$ of Rated Operating Distance</p>	
A4	3 and 4-wire DC - (AN, RN, AP, RP, VN, VP)	
<p data-bbox="397 1396 535 1417">Ripple: $\leq 10\%$</p> <p data-bbox="211 1428 641 1449">Differential Travel (Hysteresis): 3-15% (5% typical)</p> <p data-bbox="129 1459 535 1480">Voltage Drop Across Conducting Sensor: $\leq 1.8\text{ V}$</p> <p data-bbox="105 1491 763 1564">Trigger Current for Short Circuit Protection: $\geq 220\text{ mA}$ on 200 mA Load Current $\geq 170\text{ mA}$ on 150 mA Load Current $\geq 120\text{ mA}$ on 100 mA Load Current</p> <p data-bbox="227 1575 560 1596">Off-State (Leakage) Current: $\leq 0.1\text{ mA}$</p> <p data-bbox="316 1606 690 1659">No-Load Current: $\leq 15\text{ mA}$ (Ferrite, Uprox) $\leq 20\text{ mA}$ (Uprox+, Uprox3)</p>	<p data-bbox="893 1396 1218 1417">Time Delay Before Availability: $\leq 8\text{ ms}$</p> <p data-bbox="998 1428 1291 1449">Power-On Effect: Per IEC 947-5-2</p> <p data-bbox="917 1459 1274 1480">Reverse Polarity Protection: Incorporated</p> <p data-bbox="958 1491 1274 1512">Wire-Break Protection: Incorporated</p> <p data-bbox="966 1522 1307 1543">Transient Protection: Per EN 60947-5-2</p> <p data-bbox="982 1554 1226 1575">Temperature Drift: $\leq \pm 10\%$</p> <p data-bbox="1079 1585 1258 1606">Shock: 30 g, 11 ms</p> <p data-bbox="1055 1617 1469 1638">Vibration: 55 Hz, 1 mm Amplitude in all 3 Planes</p> <p data-bbox="1023 1648 1437 1669">Repeatability: $\leq 2\%$ of Rated Operating Distance</p>	

We reserve the right to make technical alterations without prior notice.



Inductive Barrel Sensors | 18 mm

Nonembeddable Threaded Metal Barrels with Connector and DC Outputs

Part Number/ ID Number	Features	Sensing Range (mm)	Output	Voltage	Switching Freq. (Hz)	Operating Current (mA)	Operating Temp. (°C)	Protection	Housing	Face	Power LED	Output LED	Dimension Drawings	Wiring Diagrams	Spec List
Ni15U-M18-AN6X-H1141 1635335	Uprox+	15	3-wire DC NPN	10-30 VDC	1500	≤200	-30 to +85	IP68	CPB	LCP	N/A	YE	A	3	A4
Ni15U-EM18-AN6X-H1141 1635336	Uprox+	15	3-wire DC NPN	10-30 VDC	1500	≤200	-30 to +85	IP68	SS	LCP	N/A	YE	A	3	A4
Ni15U-M18-AP6X-H1141 1635331	Uprox+	15	3-wire DC PNP	10-30 VDC	1500	≤200	-30 to +85	IP68	CPB	LCP	N/A	YE	A	4	A4
Ni15U-EM18-AP6X-H1141 1635332	Uprox+	15	3-wire DC PNP	10-30 VDC	1500	≤200	-30 to +85	IP68	SS	LCP	N/A	YE	A	4	A4
Ni14-M18-AD4X-H1141 4417241	Extended Range	14	2-wire DC	10-65 VDC	500	≤100	-25 to +70	IP67	CPB	PA 12	N/A	YE	A	1	A2
Ni14-M18-AD4X-H1144 4417290	Extended Range	14	2-wire DC	10-65 VDC	500	≤100	-25 to +70	IP67	CPB	PA 12	N/A	YE	A	2	A2
Ni14-M18-AN6X-H1141 4611410	Extended Range	14	3-wire DC NPN	10-30 VDC	500	≤200	-25 to +70	IP67	CPB	PA 12	N/A	YE	A	3	A4
Ni14-M18-AP6X-H1141 4611400	Extended Range	14	3-wire DC PNP	10-30 VDC	500	≤200	-25 to +70	IP67	CPB	PA 12	N/A	YE	A	4	A4
Ni14-M18-VN4X-H1141 4590603	Ext. Range, Comp. Outputs	14	4-wire DC NPN	10-65 VDC	1000	≤200	-25 to +70	IP67	CPB	PA 12	N/A	YE	A	5	A4
Ni14-M18-VP4X-H1141 4590602	Ext. Range, Comp. Outputs	14	4-wire DC PNP	10-65 VDC	1000	≤200	-25 to +70	IP67	CPB	PA 12	N/A	YE	A	6	A4
Ni12U-M18-AN6X-H1141 1645150	Uprox	12	3-wire DC NPN	10-30 VDC	1500	≤200	-30 to +85	IP67	CPB	LCP	N/A	YE	A	3	A4
Ni12U-EM18-AN6X-H1141 1645350	Uprox	12	3-wire DC NPN	10-30 VDC	2000	≤200	-30 to +85	IP68	SS	PBT	N/A	YE	A	3	A4
Ni12U-M18-AP6X-H1141 1645140	Uprox	12	3-wire DC PNP	10-30 VDC	1500	≤200	-30 to +85	IP67	CPB	LCP	N/A	YE	A	4	A4
Ni12U-M18-AP6X2-H1141 1645145	Uprox	12	3-wire DC PNP	10-30 VDC	1500	≤200	-30 to +85	IP67	CPB	LCP	GN	YE	A	4	A4
Ni12U-EM18-AP6X-H1141 1645340	Uprox	12	3-wire DC PNP	10-30 VDC	2000	≤200	-30 to +85	IP68	SS	PBT	N/A	YE	A	4	A4
Ni12U-EM18-AP6X2-H1141 1645345	Uprox	12	3-wire DC PNP	10-30 VDC	2000	≤200	-30 to +85	IP68	SS	PBT	GN	YE	A	4	A4
Ni10-M18-AN6X-H1141 4614892		10	3-wire DC NPN	10-30 VDC	1000	≤200	-25 to +70	IP67	CPB	PA 12	N/A	YE	A	3	A4
Ni10-M18-AP6X-H1141 4641291		10	3-wire DC PNP	10-30 VDC	1000	≤200	-25 to +70	IP67	CPB	PA 12	N/A	YE	A	4	A4
Ni8-M18-AD4X-H1141 44147		8	2-wire DC	10-65 VDC	500	≤100	-25 to +70	IP67	CPB	PA 12	N/A	YE	A	1	A2
Ni8-M18-AD4X-H1144 4411288		8	2-wire DC	10-65 VDC	500	≤100	-25 to +70	IP67	CPB	PA 12	N/A	YE	A	2	A2
Ni8-M18-AN6X-H1141 46148		8	3-wire DC NPN	10-30 VDC	1000	≤200	-25 to +70	IP67	CPB	PA 12	N/A	YE	A	3	A4
Ni8-M18-AP6X-H1141 46147		8	3-wire DC PNP	10-30 VDC	1000	≤200	-25 to +70	IP67	CPB	PA 12	N/A	YE	A	4	A4
Ni8-M18-VN4X-H1141 15719	Comp. Outputs	8	4-wire DC NPN	10-65 VDC	1000	≤200	-25 to +70	IP67	CPB	PA 12	N/A	YE	A	5	A4
Ni8-M18-VP4X-H1141 15619	Comp. Outputs	8	4-wire DC PNP	10-65 VDC	1000	≤200	-25 to +70	IP67	CPB	PA 12	N/A	YE	A	6	A4


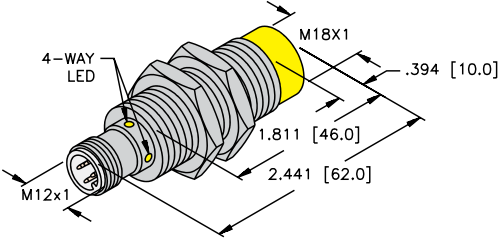
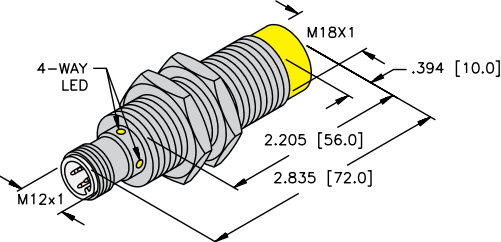
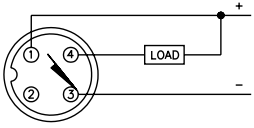
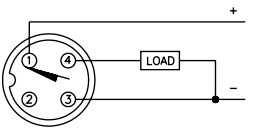
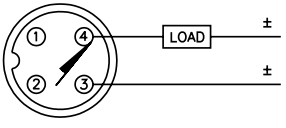
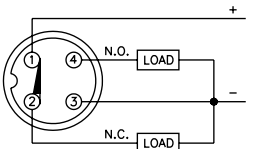
We reserve the right to make technical alterations without prior notice.

Inductive Barrel Sensors



Inductive Barrel Sensors | 18 mm

Nonembeddable Threaded Metal Barrels with Connector and DC Outputs

Housing Style	Dimension Drawings
	<p>A</p>  <p>18 mm - Nonembeddable, M12 Eurofast Connection</p>
<p>B</p>  <p>18 mm - Nonembeddable, Ext. Barrel Length M12 Eurofast Connection</p>	
Wiring Diagrams/Mating Cordsets	
<p>1</p>  <p>Mating Cordset: RK 4T-*; RKC 4T-*/S1587</p>	<p>2</p>  <p>Mating Cordset: RK 4T-*; RKC 4T-*/S1587</p>
<p>3</p>  <p>Mating Cordset: RK 4.2T-*</p>	<p>4</p>  <p>Mating Cordset: RK 4.4T-*</p>
A2 2-wire DC - (AD, RD, AG)	
<p>Ripple: $\leq 10\%$</p> <p>Differential Travel (Hysteresis): 3-15% (5% typical)</p> <p>Voltage Drop Across Conducting Sensor: Non-polarized (AD) $< 5.0\text{ V}$</p> <p>Trigger Current for Short Circuit Protection: $\geq 120\text{ mA}$</p> <p>Minimum Load Current: $\geq 3.0\text{ mA}$</p> <p>Polarized (AG) $\leq 4.2\text{ V}$</p>	<p>Off-State (Leakage) Current: $\leq 0.8\text{ mA}$</p> <p>Power-On Effect: Per IEC 947-5-2</p> <p>Transient Protection: Per EN 60947-5-2</p> <p>Shock: 30 g, 11 ms</p> <p>Vibration: 55 Hz, 1 mm Amplitude in all 3 Planes</p> <p>Repeatability: $\leq 2\%$ of Rated Operating Distance</p>
A4 3 and 4-wire DC - (AN, RN, AP, RP, VN, VP)	
<p>Ripple: $\leq 10\%$</p> <p>Differential Travel (Hysteresis): 3-15% (5% typical)</p> <p>Voltage Drop Across Conducting Sensor: $\leq 1.8\text{ V}$</p> <p>Trigger Current for Short Circuit Protection: $\geq 220\text{ mA}$ on 200 mA Load Current</p> <p>Off-State (Leakage) Current: $\leq 0.1\text{ mA}$</p> <p>No-Load Current: $\leq 15\text{ mA}$ (Ferrite, Uprox)</p> <p>$\geq 170\text{ mA}$ on 150 mA Load Current</p> <p>$\geq 120\text{ mA}$ on 100 mA Load Current</p> <p>$\leq 20\text{ mA}$ (Uprox+, Uprox3)</p>	<p>Time Delay Before Availability: $\leq 8\text{ ms}$</p> <p>Power-On Effect: Per IEC 947-5-2</p> <p>Reverse Polarity Protection: Incorporated</p> <p>Wire-Break Protection: Incorporated</p> <p>Transient Protection: Per EN 60947-5-2</p> <p>Temperature Drift: $\leq \pm 10\%$</p> <p>Shock: 30 g, 11 ms</p> <p>Vibration: 55 Hz, 1 mm Amplitude in all 3 Planes</p> <p>Repeatability: $\leq 2\%$ of Rated Operating Distance</p>

We reserve the right to make technical alterations without prior notice.



Inductive Barrel Sensors | 18 mm

Nonembeddable Threaded Metal Barrels with Connector and DC Outputs


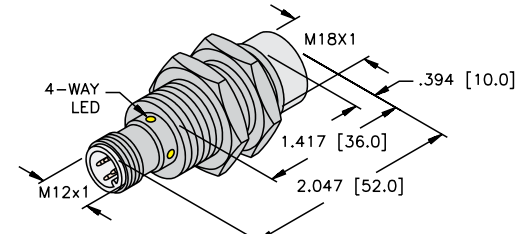
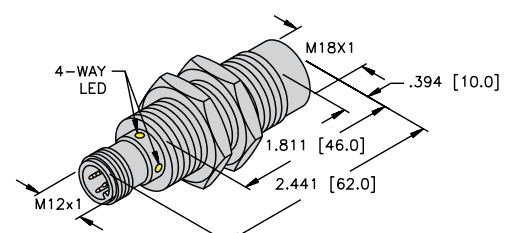
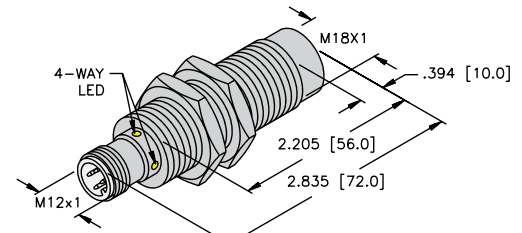
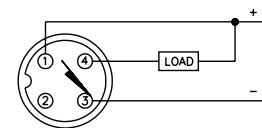
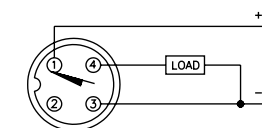
Part Number/ ID Number	Features	Sensing Range (mm)	Output	Voltage	Switching Freq. (Hz)	Operating Current (mA)	Operating Temp. (°C)	Protection	Housing	Face	Power LED	Output LED	Dimension Drawings	Wiring Diagrams	Spec List
Ni14-M18E-AD4X-H1141 4417292	Extended Range	14	2-wire DC	10-65 VDC	500	≤100	-25 to +70	IP67	CPB	PA 12	N/A	YE	B	3	A2
Ni14-M18E-AN6X-H1141 4611483	Extended Range	14	3-wire DC NPN	10-30 VDC	1000	≤200	-25 to +70	IP67	CPB	PA 12	N/A	YE	B	1	A4
Ni14-EM18E-AN6X-H1141/S1589 4611494	Ext. Range, Weldguard	14	3-wire DC NPN	10-30 VDC	1000	≤200	-25 to +70	IP67	SS	WG	N/A	YE	B	1	A4
Ni14-M18E-AP6X-H1141 4611489	Extended Range	14	3-wire DC PNP	10-30 VDC	1000	≤200	-25 to +70	IP67	CPB	PA 12	N/A	YE	B	2	A4
Ni14-EM18E-AP6X-H1141/S1589 4611495	Ext. Range, Weldguard	14	3-wire DC PNP	10-30 VDC	1000	≤200	-25 to +70	IP67	SS	WG	N/A	YE	B	2	A4
Ni12U-M18-AN6X-H1141/S395 1645151	Uprox	12	3-wire DC NPN	10-30 VDC	1500	≤200	-30 to +85	IP68	CPB	LCP	N/A	YE	A	1	A4
Ni12U-EM18-AP6X2-H1141/S395 1645304	Uprox	12	3-wire DC PNP	10-30 VDC	2000	≤200	-30 to +85	IP68	SS	PBT	GN	YE	A	2	A4
Ni12U-EM18-AN6X2-H1141/S395/S1589 1645490	Uprox, Weldguard	12	3-wire DC NPN	10-30 VDC	2000	≤200	-30 to +85	IP68	SS	WG	GN	YE	A	1	A4
Ni12U-EM18-AP6X2-H1141/S395/S1589 1645491	Uprox, Weldguard	12	3-wire DC PNP	10-30 VDC	2000	≤200	-30 to +85	IP68	SS	WG	GN	YE	A	2	A4
Ni12U-M18E-AP6X-H1141 1645143	Uprox	12	3-wire DC PNP	10-30 VDC	1500	≤200	-30 to +85	IP67	CPB	LCP	N/A	YE	B	2	A4
Ni12U-M18-AP6X-H1141/S395 1645142	Uprox	12	3-wire DC PNP	10-30 VDC	1500	≤200	-30 to +85	IP68	CPB	LCP	N/A	YE	A	2	A4
Ni12U-M18M-VP4X-H1141 1581458	Uprox, Comp. Outputs	12	4-wire DC PNP	10-65 VDC	1500	≤200	-30 to +85	IP68	CPB	PBT	N/A	YE	A	4	A4
Ni10-M18E-AN6X-H1141 4614894		10	3-wire DC NPN	10-30 VDC	1000	≤200	-25 to +70	IP67	CPB	PA 12	N/A	YE	B	1	A4
Ni10-M18E-AP6X-H1141 4641294		10	3-wire DC PNP	10-30 VDC	1000	≤200	-25 to +70	IP67	CPB	PA 12	N/A	YE	B	2	A4
Ni8-M18E-AD4X-H1141 4411210		8	2-wire DC	10-65 VDC	500	≤100	-25 to +70	IP67	CPB	PA 12	N/A	YE	B	3	A2
Ni8-M18E-VP4X-H1141 1561990	Comp. Outputs	8	4-wire DC PNP	10-65 VDC	1000	≤200	-25 to +70	IP67	CPB	PA 12	N/A	YE	B	4	A4

We reserve the right to make technical alterations without prior notice.

Inductive Barrel Sensors

Inductive Barrel Sensors | 18 mm

Nonembeddable Threaded PTFE Coated Metal Barrels with Connector and DC Outputs

Housing Style	Dimension Drawings	
	<p>A</p>  <p>18 mm - Nonembeddable, M12 Eurofast Connection, PTFE Coated</p>	
<p>B</p>  <p>18 mm - Nonembeddable, M12 Eurofast Connection, PTFE Coated</p>	<p>C</p>  <p>18 mm - Nonembeddable, Ext. Barrel Length M12 Eurofast Connection, PTFE Coated</p>	
Wiring Diagrams/Mating Cordsets		
<p>1</p>  <p>Mating Cordset: RK 4T-*; RKC 4T-*/S1587</p>	<p>2</p>  <p>Mating Cordset: RK 4T-*; RKC 4T-*/S1587</p>	
A4 3 and 4-wire DC - (AN, RN, AP, RP, VN, VP)		
<p>Ripple: $\leq 10\%$</p> <p>Differential Travel (Hysteresis): 3-15% (5% typical)</p> <p>Voltage Drop Across Conducting Sensor: $\leq 1.8\text{ V}$</p> <p>Trigger Current for Short Circuit Protection: $\geq 220\text{ mA}$ on 200 mA Load Current $\geq 170\text{ mA}$ on 150 mA Load Current $\geq 120\text{ mA}$ on 100 mA Load Current</p> <p>Off-State (Leakage) Current: $\leq 0.1\text{ mA}$</p> <p>No-Load Current: $\leq 15\text{ mA}$ (Ferrite, Uprox) $\leq 20\text{ mA}$ (Uprox+, Uprox3)</p>	<p>Time Delay Before Availability: $\leq 8\text{ ms}$</p> <p>Power-On Effect: Per IEC 947-5-2</p> <p>Reverse Polarity Protection: Incorporated</p> <p>Wire-Break Protection: Incorporated</p> <p>Transient Protection: Per EN 60947-5-2</p> <p>Temperature Drift: $\leq \pm 10\%$</p> <p>Shock: 30 g, 11 ms</p> <p>Vibration: 55 Hz, 1 mm Amplitude in all 3 Planes</p> <p>Repeatability: $\leq 2\%$ of Rated Operating Distance</p>	

We reserve the right to make technical alterations without prior notice.



Inductive Barrel Sensors | 18 mm

Nonembeddable Threaded PTFE Coated Metal Barrels with Connector and DC Outputs


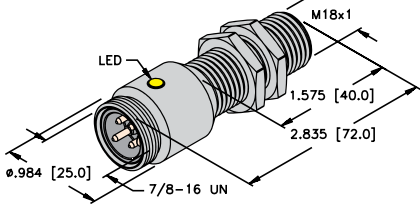
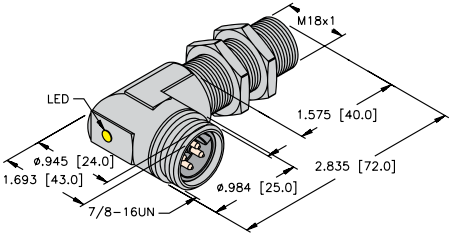
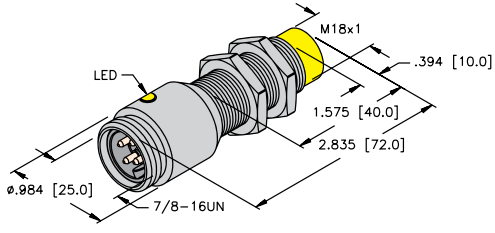
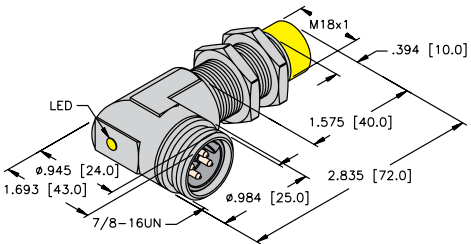
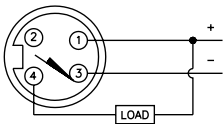
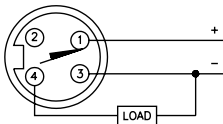
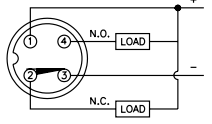
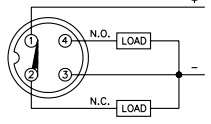
Part Number/ ID Number	Features	Sensing Range (mm)	Output	Voltage	Switching Freq. (Hz)	Operating Current (mA)	Operating Temp. (°C)	Protection	Housing	Face	Power LED	Output LED	Dimension Drawings	Wiring Diagrams	Spec List
Ni15U-MT18-AN6X-H1141 1635337	Uprox+, PTFE	15	3-wire DC NPN	10-30 VDC	1500	≤200	-30 to +85	IP68	TC	TC	N/A	YE	A	1	A4
Ni15U-MT18-AN6X-H1141/S1589 16353370	Uprox+, PTFE, Weldguard	15	3-wire DC NPN	10-30 VDC	1500	≤200	-30 to +85	IP68	TC	WG	N/A	YE	A	1	A4
Ni15U-MT18-AP6X-H1141 1635333	Uprox+, PTFE	15	3-wire DC PNP	10-30 VDC	1500	≤200	-30 to +85	IP68	TC	TC	N/A	YE	A	2	A4
Ni15U-MT18-AP6X-H1141/S1589 1635333-1	Uprox+, PTFE, Weldguard	15	3-wire DC PNP	10-30 VDC	1500	≤200	-30 to +85	IP68	TC	WG	N/A	YE	A	2	A4
Ni15U-MT18M-AP6X2-H1141 1635338	Uprox+, PTFE	15	3-wire DC PNP	10-30 VDC	1500	≤200	-30 to +85	IP68	TC	TC	GN	YE	B	2	A4
Ni15U-MT18M-AP6X2-H1141/S1589 16352920	Uprox+, PTFE, Weldguard	15	3-wire DC PNP	10-30 VDC	1500	≤200	-30 to +85	IP68	TC	WG	GN	YE	B	2	A4
Ni14-MT18E-AP6X-H1141/S1589 4611497	Ext. Range, PTFE, Weldguard	14	3-wire DC PNP	10-30 VDC	500	≤200	-25 to +70	IP67	TC	WG	N/A	YE	C	2	A4
Ni12U-MT18-AN6X-H1141 1645250	Uprox, PTFE	12	3-wire DC NPN	10-30 VDC	1500	≤200	-30 to +85	IP67	TC	TC	N/A	YE	A	1	A4
Ni12U-MT18-AP6X-H1141 1645240	Uprox, PTFE	12	3-wire DC PNP	10-30 VDC	1500	≤200	-30 to +85	IP67	TC	TC	N/A	YE	A	2	A4
Ni12U-MT18-AP6X-H1141/S1589 1645292	Uprox, Weldguard	12	3-wire DC PNP	10-30 VDC	1500	≤200	-30 to +85	IP67	TC	WG	N/A	YE	A	2	A4
Ni12U-MT18-AP6X2-H1141 1645245	Uprox, PTFE	12	3-wire DC PNP	10-30 VDC	1500	≤200	-30 to +85	IP67	TC	TC	GN	YE	A	2	A4
Ni12U-MT18-AP6X2-H1141/S1589 1645293	Uprox, Weldguard	12	3-wire DC PNP	10-30 VDC	1500	≤200	-30 to +85	IP67	TC	WG	GN	YE	A	2	A4
Ni12U-MT18-AP6X-H1141/S395 1645242	Uprox, PTFE	12	3-wire DC PNP	10-30 VDC	1500	≤200	-30 to +85	IP67	TC	TC	N/A	YE	B	2	A4
Ni12U-MT18-AP6X2-H1141/S395 1645246	Uprox, PTFE	12	3-wire DC PNP	10-30 VDC	1500	≤200	-30 to +85	IP67	TC	TC	GN	YE	B	2	A4
Ni12U-MT18-AP6X2-H1141/S395/ S1589 1645291	Uprox, PTFE, Weldguard	12	3-wire DC PNP	10-30 VDC	1500	≤200	-30 to +85	IP67	TC	WG	GN	YE	B	2	A4

We reserve the right to make technical alterations without prior notice.

Inductive Barrel Sensors

Inductive Barrel Sensors | 18 mm

Fully Threaded Metal Barrels with Connector and AC/DC Outputs

Housing Style	Dimension Drawings
	<p>A</p>  <p>18 mm - Embeddable, 7/8" Minifast Connection</p>
<p>B</p>  <p>18 mm - Embeddable, Right Angle, 7/8" Minifast Connection</p>	<p>C</p>  <p>18 mm - Nonembeddable, 7/8" Minifast Connection</p>
<p>D</p>  <p>18 mm - Nonembeddable, 7/8" Minifast Right Angle Connection</p>	
Wiring Diagrams/Mating Cordsets	
<p>1</p>  <p>Mating Cordset: RKM 40-*M</p>	<p>2</p>  <p>Mating Cordset: RKM 40-*M</p>
<p>3</p>  <p>Mating Cordset: RKM 40-*M</p>	<p>4</p>  <p>Mating Cordset: RKM 40-*M</p>
A4 3 and 4-wire DC - (AN, RN, AP, RP, VN, VP)	
<p>Ripple: ≤10%</p> <p>Differential Travel (Hysteresis): 3-15% (5% typical)</p> <p>Voltage Drop Across Conducting Sensor: ≤1.8 V</p> <p>Trigger Current for Short Circuit Protection: ≥220 mA on 200 mA Load Current ≥170 mA on 150 mA Load Current ≥120 mA on 100 mA Load Current</p> <p>Off-State (Leakage) Current: ≤0.1 mA</p> <p>No-Load Current: ≤15 mA (Ferrite, Uprox) ≤20 mA (Uprox+, Uprox3)</p>	<p>Time Delay Before Availability: ≤8 ms</p> <p>Power-On Effect: Per IEC 947-5-2</p> <p>Reverse Polarity Protection: Incorporated</p> <p>Wire-Break Protection: Incorporated</p> <p>Transient Protection: Per EN 60947-5-2</p> <p>Temperature Drift: ≤±10%</p> <p>Shock: 30 g, 11 ms</p> <p>Vibration: 55 Hz, 1 mm Amplitude in all 3 Planes</p> <p>Repeatability: ≤2% of Rated Operating Distance</p>

We reserve the right to make technical alterations without prior notice.



Inductive Barrel Sensors | 18 mm

Fully Threaded Metal Barrels with Connector and AC/DC Outputs


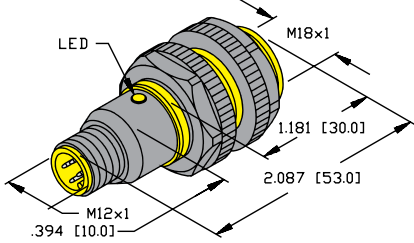
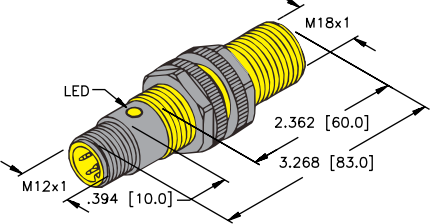
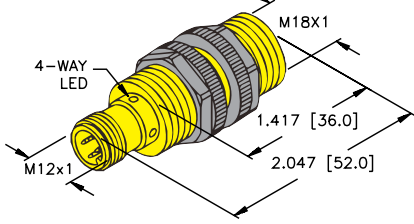
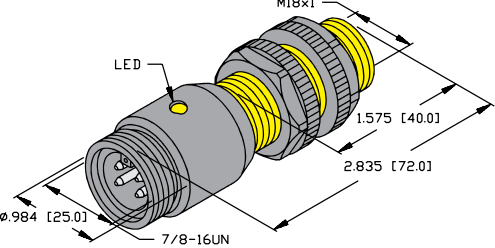
Part Number/ ID Number	Features	Sensing Range (mm)	Output	Voltage	Switching Freq. (Hz)	Operating Current (mA)	Operating Temp. (°C)	Protection	Housing	Face	Power LED	Output LED	Dimension Drawings	Wiring Diagrams	Spec List
Bi5-G18-AN6X-B1341 46952		5	3-wire DC NPN	10-30 VDC	1000	≤200	-25 to +70	IP67	CPB	PA 12	N/A	YE	A	1	A4
Bi5-G18-AP6X-B1341 46963		5	3-wire DC PNP	10-30 VDC	1000	≤200	-25 to +70	IP67	CPB	PA 12	N/A	YE	A	2	A4
Bi5-G18-AN6X-B1441 46956		5	3-wire DC NPN	10-30 VDC	1000	≤200	-25 to +70	IP67	CPB	PA 12	N/A	YE	B	1	A4
Bi5-G18-AP6X-B1441 46967		5	3-wire DC PNP	10-30 VDC	1000	≤200	-25 to +70	IP67	CPB	PA 12	N/A	YE	B	2	A4
Ni10-G18-AN6X-B1341 46953		10	3-wire DC NPN	10-30 VDC	1000	≤200	-25 to +70	IP67	CPB	PA 12	N/A	YE	C	1	A4
Ni10-G18-AP6X-B1341 46964		10	3-wire DC PNP	10-30 VDC	1000	≤200	-25 to +70	IP67	CPB	PA 12	N/A	YE	C	2	A4
Ni10-G18-AN6X-B1441 46957		10	3-wire DC NPN	10-30 VDC	1000	≤200	-25 to +70	IP67	CPB	PA 12	N/A	YE	D	1	A4
Ni10-G18-AP6X-B1441 46968		10	3-wire DC PNP	10-30 VDC	1000	≤200	-25 to +70	IP67	CPB	PA 12	N/A	YE	D	2	A4
Ni10-G18-VN6X-B1441 46991	Comp. Outputs	10	4-wire DC NPN	10-30 VDC	1000	≤200	-25 to +70	IP67	CPB	PA 12	N/A	YE	D	3	A4
Ni10-G18-VP6X-B1441 4699190	Comp. Outputs	10	4-wire DC PNP	10-30 VDC	1000	≤200	-25 to +70	IP67	CPB	PA 12	N/A	YE	D	4	A4

We reserve the right to make technical alterations without prior notice.

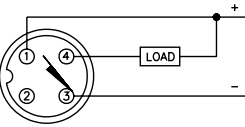
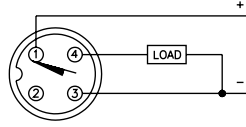
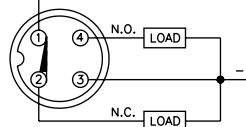
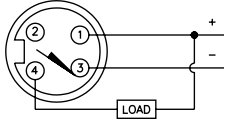
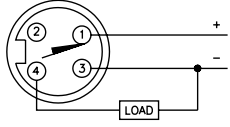
Inductive Barrel Sensors

Inductive Barrel Sensors | 18 mm

Threaded Plastic Barrels with Connector and DC Outputs

Housing Style	Dimension Drawings
	<p>A</p>  <p>18 mm - Embeddable and Nonembeddable, Partial Threading, M12 Eurofast Connection</p>
<p>B</p>  <p>18 mm - Embeddable and Nonembeddable, Partial Threading, M12 Eurofast Connection</p>	<p>C</p>  <p>18 mm - Embeddable and Nonembeddable, Partial Threading, M12 Eurofast Connection</p>
<p>D</p>  <p>18 mm - Embeddable and Nonembeddable, Full Threading, 7/8" Minifast Connection</p>	

We reserve the right to make technical alterations without prior notice.

Wiring Diagrams/Mating Cordsets		
<p>1</p>  <p>Mating Cordset: RKK 4T-*</p>	<p>2</p>  <p>Mating Cordset: RKK 4T-*</p>	<p>3</p>  <p>Mating Cordset: RKK 4.4T-*</p>
<p>4</p>  <p>Mating Cordset: RK 40-*M</p>	<p>5</p>  <p>Mating Cordset: RK 40-*M</p>	

A4 3 and 4-wire DC - (AN, RN, AP, RP, VN, VP)	
<p>Ripple: ≤10%</p> <p>Differential Travel (Hysteresis): 3-15% (5% typical)</p> <p>Voltage Drop Across Conducting Sensor: ≤1.8 V</p> <p>Trigger Current for Short Circuit Protection: ≥220 mA on 200 mA Load Current ≥170 mA on 150 mA Load Current ≥120 mA on 100 mA Load Current</p> <p>Off-State (Leakage) Current: ≤0.1 mA</p> <p>No-Load Current: ≤15 mA (Ferrite, Uprox) ≤20 mA (Uprox+, Uprox3)</p>	<p>Time Delay Before Availability: ≤8 ms</p> <p>Power-On Effect: Per IEC 947-5-2</p> <p>Reverse Polarity Protection: Incorporated</p> <p>Wire-Break Protection: Incorporated</p> <p>Transient Protection: Per EN 60947-5-2</p> <p>Temperature Drift: ≤±10%</p> <p>Shock: 30 g, 11 ms</p> <p>Vibration: 55 Hz, 1 mm Amplitude in all 3 Planes</p> <p>Repeatability: ≤2% of Rated Operating Distance</p>



Inductive Barrel Sensors | 18 mm

Threaded Plastic Barrels with Connector and DC Outputs


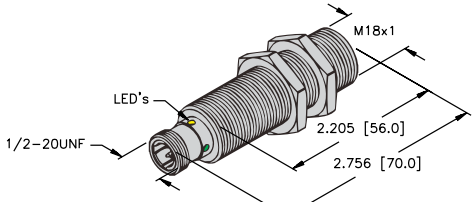
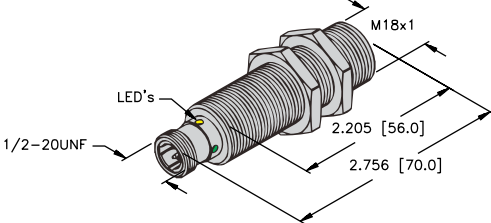
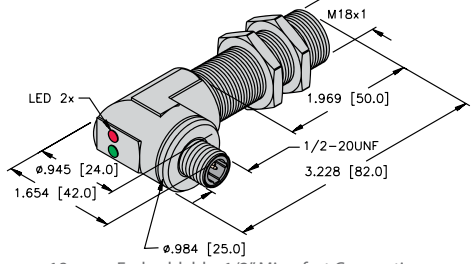
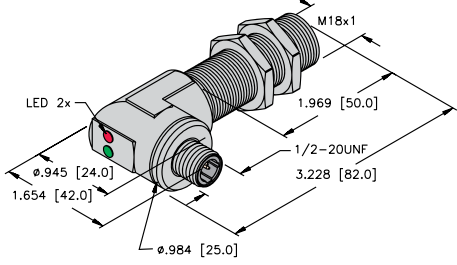
Part Number/ ID Number	Features	Sensing Range (mm)	Output	Voltage	Switching Freq. (Hz)	Operating Current (mA)	Operating Temp. (°C)	Protection	Housing	Face	Power LED	Output LED	Dimension Drawings	Wiring Diagrams	Spec List
Bi5U-S18-AN6X-H1141 1635620	Uprox	5	3-wire DC NPN	10-30 VDC	2500	≤200	-30 to +85	IP68	PA 12	PA 12	N/A	YE	C	1	A4
Bi5U-S18-AP6X-H1141 1635600	Uprox	5	3-wire DC PNP	10-30 VDC	2500	≤200	-30 to +85	IP68	PA 12	PA 12	N/A	YE	C	2	A4
Bi5-S18-AN6X-H1141 46525		5	3-wire DC NPN	10-30 VDC	1000	≤200	-25 to +70	IP67	PA 12	PA 12	N/A	YE	A	1	A4
Bi5-S18-AP6X-H1141 46524		5	3-wire DC PNP	10-30 VDC	1000	≤200	-25 to +70	IP67	PA 12	PA 12	N/A	YE	A	2	A4
Bi5-S18-VP4X-H1141 1513401	Comp. Outputs	5	4-wire DC PNP	10-30 VDC	1000	≤200	-25 to +70	IP67	PA 12	PA 12	N/A	YE	B	3	A4
Bi5-P18-AN6X-B2341 46972		5	3-wire DC NPN	10-30 VDC	1000	≤200	-25 to +70	IP67	PA 12	PA 12	N/A	YE	D	4	A4
Bi5-P18-AP6X-B2341 46973		5	3-wire DC PNP	10-30 VDC	1000	≤200	-25 to +70	IP67	PA 12	PA 12	N/A	YE	D	5	A4
Ni12U-S18-AN6X-H1141 1645620	Uprox	12	3-wire DC NPN	10-30 VDC	2000	≤200	-30 to +85	IP68	PA 12	PA 12	N/A	YE	C	1	A4
Ni12U-S18-AP6X-H1141 1645600	Uprox	12	3-wire DC PNP	10-30 VDC	2000	≤200	-30 to +85	IP68	PA 12	PA 12	N/A	YE	C	2	A4
Ni10-P18-AN6X-B2341 4697800		10	3-wire DC NPN	10-30 VDC	500	≤200	-25 to +70	IP67	PA 12	PA 12	N/A	YE	D	4	A4
Ni10-P18-AP6X-B2341 4697900		10	3-wire DC PNP	10-30 VDC	500	≤200	-25 to +70	IP67	PA 12	PA 12	N/A	YE	D	5	A4
Ni8-S18-AN6X-H1141 46527		8	3-wire DC NPN	10-30 VDC	500	≤200	-25 to +70	IP67	PA 12	PA 12	N/A	YE	A	1	A4
Ni8-S18-AP6X-H1141 46526		8	3-wire DC PNP	10-30 VDC	500	≤200	-25 to +70	IP67	PA 12	PA 12	N/A	YE	A	2	A4

We reserve the right to make technical alterations without prior notice.

Inductive Barrel Sensors

Inductive Barrel Sensors | 18 mm

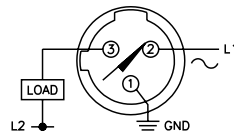
Embeddable Fully Threaded Metal Barrels with Connector and AC/DC Outputs

Housing Style	Dimension Drawings
	<p>A</p>  <p>18 mm - Embeddable, 1/2" Microfast Connection</p>
<p>B</p>  <p>18 mm - Embeddable, 1/2" Microfast Connection, PTFE Coated</p>	<p>C</p>  <p>18 mm - Embeddable, 1/2" Microfast Connection</p>
<p>D</p>  <p>18 mm - Embeddable, 1/2" Microfast Right Angle Connection, PTFE Coated</p>	

We reserve the right to make technical alterations without prior notice.

Wiring Diagrams/Mating Cordsets

1



Mating Cordset: KB 3T-*, KBE 3T-*/S600

A5	2-wire AC/DC w/ Short-Circuit Protection - (ADZ, RDZ, FDZ, VDZ)	
<p>Line Frequency: $\geq 50 \dots \leq 60$ Hz</p> <p>Differential Travel (Hysteresis): 3-15% (5% typical)</p> <p>Voltage Drop Across Conducting Sensor: ≤ 6.0 V</p> <p>Trigger Current for Short Circuit Protection: AC: ≥ 440 mA; DC: ≥ 330 mA</p> <p>Continuous Load Current: AC: ≤ 400 mA; DC: ≤ 300 mA</p> <p>Off-State (Leakage) Current: ≤ 1.7 mA (AC)</p> <p>≤ 1.5 mA (DC)</p>	<p>Minimum Load Current: ≥ 3.0 mA</p> <p>Inrush Current: ≤ 3 A (≤ 20 ms, max 5 Hz)</p> <p>Power-On Effect: Per IEC 947-5-2</p> <p>Transient Protection: Per EN 60947-5-2</p> <p>Shock: 30 g, 11 ms</p> <p>Vibration: 55 Hz, 1 mm Amplitude, in all 3 Planes</p> <p>Repeatability: $\leq 2\%$ of Rated Operating Distance</p>	
A6	2-wire AC/DC w/o Short-Circuit Protection - (AZ, RZ, FZ)	
<p>Line Frequency: $\geq 50 \dots \leq 60$ Hz</p> <p>Differential Travel (Hysteresis): 3-15% (5% typical)</p> <p>Voltage Drop Across Conducting Sensor: ≤ 6.0 V</p> <p>Continuous Load Current: AC: ≤ 400 mA; DC: ≤ 300 mA</p> <p>Off-State (Leakage) Current: ≤ 1.7 mA</p> <p>Minimum Load Current: ≥ 3.0 mA</p>	<p>Inrush Current: ≤ 8 A (≤ 10ms max. 5 Hz)</p> <p>≤ 1 A (≤ 10 ms max. 5 Hz) 12 mm</p> <p>≤ 0.2 A (≤ 10 ms max. 0.2 Hz) 8 mm</p> <p>Power-On Effect: Per IEC 947-5-2</p> <p>Transient Protection: Per EN 60947-5-2</p> <p>Shock: 30 g, 11 ms</p> <p>Vibration: 55 Hz, 1 mm Amplitude, in all 3 Planes</p> <p>Repeatability: $\leq 2\%$ of Rated Operating Distance</p>	



Inductive Barrel Sensors | 18 mm

Embeddable Fully Threaded Metal Barrels with Connector and AC/DC Outputs


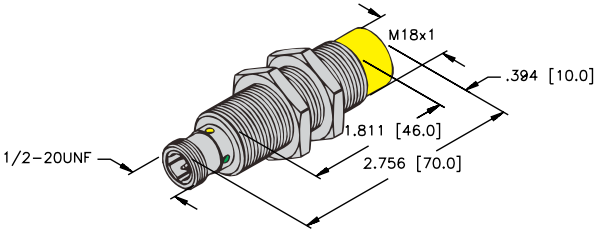
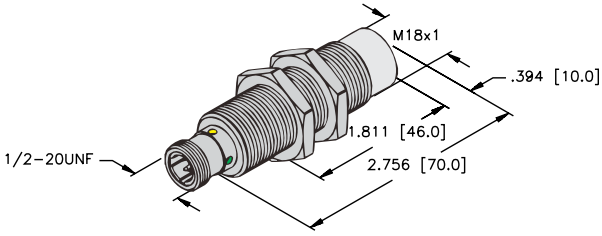
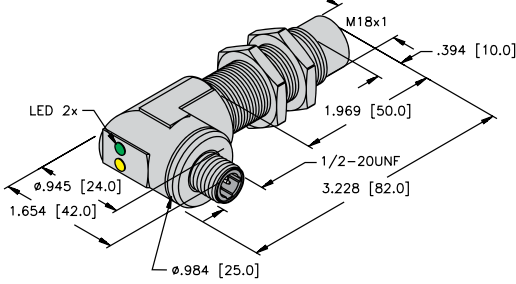
Part Number/ ID Number	Features	Sensing Range (mm)	Output	Voltage	Switching Freq. (Hz)	Operating Current (mA)	Operating Temp. (°C)	Protection	Housing	Face	Power LED	Output LED	Dimension Drawings	Wiring Diagrams	Spec List
Bi8-G18-ADZ30X2-B3331 4209301	Extended Range	8	2-wire AC/DC Short-Circuit Protected	20-250 VAC/10-300 VDC	20	≤400/300	-25 to +70	IP67	SS	PA 12	GN	RD	A	1	A5
Bi5U-G18-ADZ30X2-B3331 4281213	Uprox	5	2-wire AC/DC Short-Circuit Protected	20-250 VAC/10-300 VDC	10	≤400/300	-30 to +85	IP67	CPB	PBT	GN	YE	A	1	A5
Bi5U-GT18-ADZ30X2-B3331 4281223	Uprox, PTFE	5	2-wire AC/DC Short-Circuit Protected	20-250 VAC/10-300 VDC	10	≤400/300	-30 to +85	IP67	TC	TC	GN	YE	B	1	A5
Bi5-G18-ADZ30X2-B3331 4208092		5	2-wire AC/DC Short-Circuit Protected	20-250 VAC/10-300 VDC	20	≤400/300	-25 to +70	IP67	CPB	PA 12	GN	RD	A	1	A5
Bi5-GT18-ADZ30X2-B3331 4255491	PTFE	5	2-wire AC/DC Short-Circuit Protected	20-250 VAC/10-300 VDC	20	≤400/300	-25 to +70	IP67	TC	TC	GN	RD	B	1	A5
Bi5-GT18-ADZ30X2-B3331/S34 4255400	PTFE, WFI	5	2-wire AC/DC Short-Circuit Protected	20-250 VAC/10-300 VDC	20	≤400/300	-25 to +70	IP67	TC	TC	GN	RD	B	1	A5
Bi5-GT18H-ADZ30X2-B3331/S34 4255289	PTFE, WFI, Stoneface	5	2-wire AC/DC Short-Circuit Protected	20-250 VAC/10-300 VDC	20	≤400/300	-25 to +70	IP67	TC	SF	GN	RD	B	1	A5
Bi5-GT18H-ADZ30X2-B3331/S34/S1589 4255283	PTFE, Weldguard	5	2-wire AC/DC Short-Circuit Protected	20-250 VAC/10-300 VDC	20	≤400/300	-25 to +70	IP67	TC	WG	GN	RD	B	1	A5
Bi5-GT18-ADZ30X2-B3431/S34 4255605	PTFE, WFI	5	2-wire AC/DC Short-Circuit Protected	20-250 VAC/10-300 VDC	20	≤400/300	-25 to +70	IP67	TC	TC	GN	RD	D	1	A5
Bi5-G18-AZ3X-B3331 4372098		5	2-wire AC/DC	20-250 VAC/10-300 VDC	20	≤400/300	-25 to +70	IP67	CPB	PA 12	N/A	RD	A	1	A6
Bi5-G18-AZ3X-B3431 4372090		5	2-wire AC/DC	20-250 VAC/10-300 VDC	20	≤400/300	-25 to +70	IP67	CPB	PA 12	N/A	RD	C	1	A6

We reserve the right to make technical alterations without prior notice.

Inductive Barrel Sensors

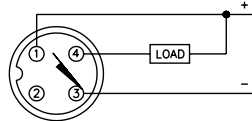
Inductive Barrel Sensors | 18 mm

Nonembeddable Fully Threaded Metal Barrels with Connector and AC/DC Outputs

Housing Style	Dimension Drawings
	<p>A</p>  <p>18 mm - Nonembeddable, 1/2" Microfast connection</p>
<p>B</p>  <p>18 mm - Nonembeddable, 1/2" Microfast connection, PTFE Coated</p>	<p>C</p>  <p>18 mm - Nonembeddable, PTFE Coated, 1/2" Microfast Right Angle Connection</p>

Wiring Diagrams/Mating Cordsets

1



Mating Cordset: KB 3T-*

A5	2-wire AC/DC w/ Short-Circuit Protection - (ADZ, RDZ, FDZ, VDZ)	
<p>Line Frequency: $\geq 50... \leq 60$ Hz</p> <p>Differential Travel (Hysteresis): 3-15% (5% typical)</p> <p>Voltage Drop Across Conducting Sensor: ≤ 6.0 V</p> <p>Trigger Current for Short Circuit Protection: AC: ≥ 440 mA; DC: ≥ 330 mA</p> <p>Continuous Load Current: AC: ≤ 400 mA; DC: ≤ 300 mA</p> <p>Off-State (Leakage) Current: ≤ 1.7 mA (AC)</p> <p>≤ 1.5 mA (DC)</p>	<p>Minimum Load Current: ≥ 3.0 mA</p> <p>Inrush Current: ≤ 3 A (≤ 20 ms, max 5 Hz)</p> <p>Power-On Effect: Per IEC 947-5-2</p> <p>Transient Protection: Per EN 60947-5-2</p> <p>Shock: 30 g, 11 ms</p> <p>Vibration: 55 Hz, 1 mm Amplitude, in all 3 Planes</p> <p>Repeatability: $\leq 2\%$ of Rated Operating Distance</p>	
A6	2-wire AC/DC w/o Short-Circuit Protection - (AZ, RZ, FZ)	
<p>Line Frequency: $\geq 50... \leq 60$ Hz</p> <p>Differential Travel (Hysteresis): 3-15% (5% typical)</p> <p>Voltage Drop Across Conducting Sensor: ≤ 6.0 V</p> <p>Continuous Load Current: AC: ≤ 400 mA; DC: ≤ 300 mA</p> <p>Off-State (Leakage) Current: ≤ 1.7 mA</p> <p>Minimum Load Current: ≥ 3.0 mA</p>	<p>Inrush Current: ≤ 8 A (≤ 10ms max. 5 Hz)</p> <p>≤ 1 A (≤ 10 ms max. 5 Hz) 12 mm</p> <p>≤ 0.2 A (≤ 10 ms max. 0.2 Hz) 8 mm</p> <p>Power-On Effect: Per IEC 947-5-2</p> <p>Transient Protection: Per EN 60947-5-2</p> <p>Shock: 30 g, 11 ms</p> <p>Vibration: 55 Hz, 1 mm Amplitude, in all 3 Planes</p> <p>Repeatability: $\leq 2\%$ of Rated Operating Distance</p>	

We reserve the right to make technical alterations without prior notice.



Inductive Barrel Sensors | 18 mm

Nonembeddable Fully Threaded Metal Barrels with Connector and AC/DC Outputs

Part Number/ ID Number	Features	Sensing Range (mm)	Output	Voltage	Switching Freq. (Hz)	Operating Current (mA)	Operating Temp. (°C)	Protection	Housing	Face	Power LED	Output LED	Dimension Drawings	Wiring Diagrams	Spec List
Ni14-G18-ADZ30X2-B3331 4205403	Extended Range	14	2-wire AC/DC Short-Circuit Protected	20-250 VAC/10-300 VDC	20	≤400/300	-25 to +70	IP67	CPB	PA 12	GN	RD	A	1	A5
Ni12U-G18-ADZ30X2-B3331 4281413	Uprox	12	2-wire AC/DC Short-Circuit Protected	20-250 VAC/10-300 VDC	10	≤400/300	-30 to +85	IP67	CPB	PBT	GN	YE	A	1	A5
Ni12U-GT18-ADZ30X2-B3331 4281423	Uprox, PTFE	12	2-wire AC/DC Short-Circuit Protected	20-250 VAC/10-300 VDC	10	≤400/300	-30 to +85	IP67	TC	TC	GN	YE	B	1	A5
Ni10-G18-AZ3X-B3331 4372192		10	2-wire AC/DC	20-250 VAC/10-300 VDC	20	≤400/300	-25 to +70	IP67	CPB	PA 12	N/A	RD	A	1	A6
Ni8-G18-ADZ30X2-B3331/S34 4209100	WFI	8	2-wire AC/DC Short-Circuit Protected	20-250 VAC/10-300 VDC	20	≤400/300	-25 to +70	IP67	CPB	PA 12	GN	RD	A	1	A5
Ni8-GT18-ADZ30X2-B3331/S34 4209101	PTFE, WFI	8	2-wire AC/DC Short-Circuit Protected	20-250 VAC/10-300 VDC	20	≤400/300	-25 to +70	IP67	TC	TC	GN	RD	B	1	A5
Ni8-GT18-ADZ30X2-B3431/S34 4209201	PTFE, WFI	8	2-wire AC/DC Short-Circuit Protected	20-250 VAC/10-300 VDC	20	≤400/300	-25 to +70	IP67	TC	TC	GN	RD	C	1	A5
Ni8-G18-AZ3X-B3331 4350588		8	2-wire AC/DC	20-250 VAC/10-300 VDC	20	≤400/300	-25 to +70	IP67	CPB	PA 12	N/A	RD	A	1	A6


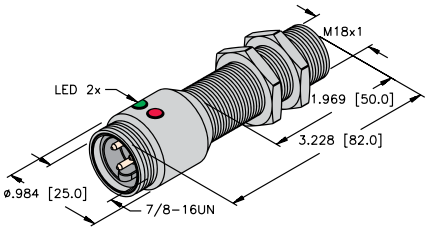
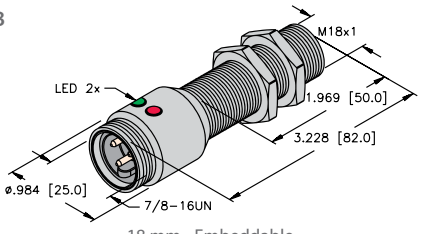
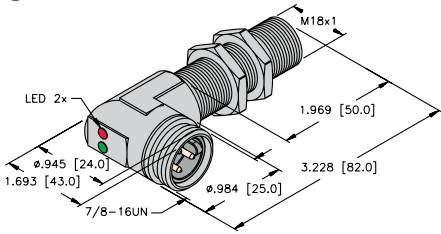
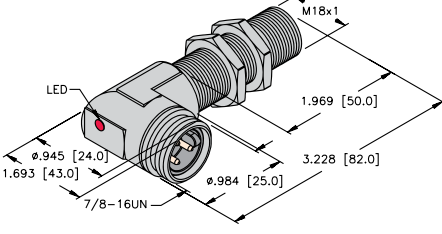
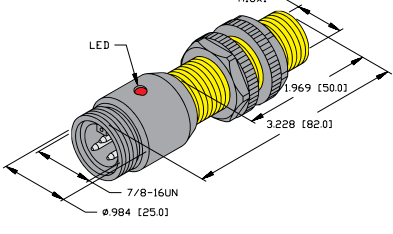
We reserve the right to make technical alterations without prior notice.

Inductive Barrel Sensors



Inductive Barrel Sensors | 18 mm

Embeddable Fully Threaded Barrels with Connector and AC/DC Outputs

Housing Style	Dimension Drawings	
	<p>A</p>  <p>18 mm - Embeddable, 7/8" Minifast Connection</p>	<p>B</p>  <p>18 mm - Embeddable, 7/8" Minifast Connection, PTFE Coated</p>
<p>C</p>  <p>18 mm - Embeddable, 7/8" Minifast Right Angle Connection</p>	<p>D</p>  <p>18 mm - Embeddable, 7/8" Minifast Right Angle Connection, PTFE Coated</p>	<p>E</p>  <p>18 mm - Embeddable and Nonembeddable, Full Threading, 7/8" Minifast Connection</p>

Wiring Diagrams/Mating Cordsets

<p>1</p>  <p>Mating Cordset: RKM 30-*M; RKM 311-*M/S600</p>	<p>2</p>  <p>Mating Cordset: RK 30-*M</p>
------------------------------------------------------------------------------------------------------------------------------------------------------	--------------------------------------------------------------------------------------------------------------------------------------

A5 2-wire AC/DC w/ Short-Circuit Protection - (ADZ, RDZ, FDZ, VDZ)

<p>Line Frequency: $\geq 50 \dots \leq 60$ Hz</p> <p>Differential Travel (Hysteresis): 3-15% (5% typical)</p> <p>Voltage Drop Across Conducting Sensor: ≤ 6.0 V</p> <p>Trigger Current for Short Circuit Protection: AC: ≥ 440 mA; DC: ≥ 330 mA AC: ≥ 120 mA; DC: ≥ 120 mA</p> <p>Continuous Load Current: AC: ≤ 400 mA; DC: ≤ 300 mA AC: ≤ 100 mA; DC: ≤ 100 mA</p> <p>Off-State (Leakage) Current: ≤ 1.7 mA (AC) ≤ 1.5 mA (DC)</p>	<p>Minimum Load Current: ≥ 3.0 mA</p> <p>Inrush Current: ≤ 3 A (≤ 20 ms, max 5 Hz)</p> <p>Power-On Effect: Per IEC 947-5-2</p> <p>Transient Protection: Per EN 60947-5-2</p> <p>Shock: 30 g, 11 ms</p> <p>Vibration: 55 Hz, 1 mm Amplitude, in all 3 Planes</p> <p>Repeatability: $\leq 2\%$ of Rated Operating Distance</p>
---------------------------------------------------------------------------------------------------------------------------------------------------------------------------------------------------------------------------------------------------------------------------------------------------------------------------------------------------------------------------------------------------------------------------------------------------------------------------------------------------------------------------------------------------------------------------------------------------------------------------------------------	-----------------------------------------------------------------------------------------------------------------------------------------------------------------------------------------------------------------------------------------------------------------------------------------------------------------------------------------------------------------------------------------

A6 2-wire AC/DC w/o Short-Circuit Protection - (AZ, RZ, FZ)

<p>Line Frequency: $\geq 50 \dots \leq 60$ Hz</p> <p>Differential Travel (Hysteresis): 3-15% (5% typical)</p> <p>Voltage Drop Across Conducting Sensor: ≤ 6.0 V</p> <p>Continuous Load Current: AC: ≤ 400 mA; DC: ≤ 300 mA AC: ≤ 100 mA; DC: ≤ 100 mA</p> <p>Off-State (Leakage) Current: ≤ 1.7 mA</p> <p>Minimum Load Current: ≥ 3.0 mA</p>	<p>Inrush Current: ≤ 8 A (≤ 10 ms max. 5 Hz) ≤ 1 A (≤ 10 ms max. 5 Hz) 12 mm ≤ 0.2 A (≤ 10 ms max. 0.2 Hz) 8 mm</p> <p>Power-On Effect: Per IEC 947-5-2</p> <p>Transient Protection: Per EN 60947-5-2</p> <p>Shock: 30 g, 11 ms</p> <p>Vibration: 55 Hz, 1 mm Amplitude, in all 3 Planes</p> <p>Repeatability: $\leq 2\%$ of Rated Operating Distance</p>
-----------------------------------------------------------------------------------------------------------------------------------------------------------------------------------------------------------------------------------------------------------------------------------------------------------------------------------------------------------------------------------------------------------------------------------------------------------------------------	------------------------------------------------------------------------------------------------------------------------------------------------------------------------------------------------------------------------------------------------------------------------------------------------------------------------------------------------------------------------------------------------------------------------------------------------------------------------------

We reserve the right to make technical alterations without prior notice.



Inductive Barrel Sensors | 18 mm

Embeddable Fully Threaded Barrels with Connector and AC/DC Outputs

Part Number/ ID Number	Features	Sensing Range (mm)	Output	Voltage	Switching Freq. (Hz)	Operating Current (mA)	Operating Temp. (°C)	Protection	Housing	Face	Power LED	Output LED	Dimension Drawings	Wiring Diagrams	Spec List
Bi5U-G18-ADZ30X2-B1331 4281212	Uprox	5	2-wire AC/DC Short-Circuit Protected	20-250 VAC/ 10-300 VDC	10	≤400/300	-30 to +85	IP67	CPB	PBT	GN	YE	A	1	A5
Bi5U-GT18-ADZ30X2-B1331 4281222	Uprox, PTFE	5	2-wire AC/DC Short-Circuit Protected	20-250 VAC/ 10-300 VDC	10	≤400/300	-30 to +85	IP67	TC	TC	GN	YE	B	1	A5
Bi5-G18-ADZ30X2-B1331 42080		5	2-wire AC/DC Short-Circuit Protected	20-250 VAC/ 10-300 VDC	20	≤400/300	-25 to +70	IP67	CPB	PA 12	GN	RD	A	1	A5
Bi5-GT18-ADZ30X2-B1331 4255290	PTFE	5	2-wire AC/DC Short-Circuit Protected	20-250 VAC/ 10-300 VDC	20	≤400/300	-25 to +70	IP67	TC	TC	GN	RD	B	1	A5
Bi5-GT18-ADZ30X2-B1331/S34 4255200	PTFE, WFI	5	2-wire AC/DC Short-Circuit Protected	20-250 VAC/ 10-300 VDC	20	≤400/300	-25 to +70	IP67	TC	TC	GN	RD	B	1	A5
Bi5-GT18H-ADZ30X2-B1331/S34/S1589 4255284	PTFE, WFI, Weldguard	5	2-wire AC/DC Short-Circuit Protected	20-250 VAC/ 10-300 VDC	20	≤400/300	-25 to +70	IP67	TC	WG	GN	RD	B	1	A5
Bi5-GT18-ADZ30X2-B1431 4255690	PTFE	5	2-wire AC/DC Short-Circuit Protected	20-250 VAC/ 10-300 VDC	20	≤400/300	-25 to +70	IP67	TC	TC	GN	RD	D	1	A5
Bi5-GT18-ADZ30X2-B1431/S34 4255600	PTFE, WFI	5	2-wire AC/DC Short-Circuit Protected	20-250 VAC/ 10-300 VDC	20	≤400/300	-25 to +70	IP67	TC	TC	GN	RD	D	1	A5
Bi5-GT18H-ADZ30X2-B1431/S34/S1589 4255285	PTFE, Weldguard	5	2-wire AC/DC Short-Circuit Protected	20-250 VAC/ 10-300 VDC	20	≤400/300	-25 to +70	IP67	TC	WG	GN	RD	D	1	A5
Bi5-G18-AZ3X-B1331 43720		5	2-wire AC/DC	20-250 VAC/ 10-300 VDC	20	≤400/300	-25 to +70	IP67	CPB	PA 12	N/A	RD	A	1	A6
Bi5-G18-AZ3X-B1431 43724		5	2-wire AC/DC	20-250 VAC/ 10-300 VDC	20	≤400/300	-25 to +70	IP67	CPB	PA 12	N/A	RD	C	1	A6
Bi5-P18-AZ3X-B2331 43748		5	2-wire AC/DC	20-250 VAC/ 10-300 VDC	20	≤400/300	-25 to +70	IP67	PA 12	PA 12	N/A	RD	E	2	A6


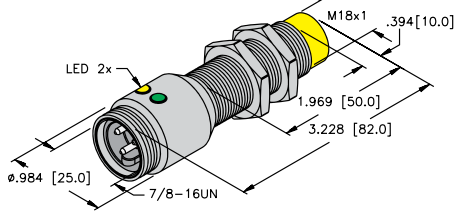
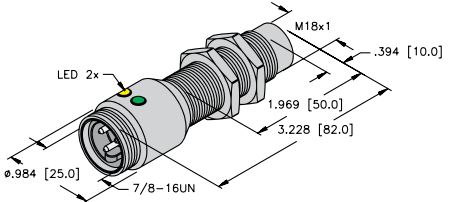
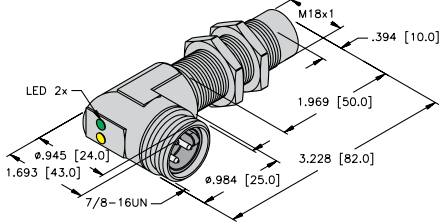
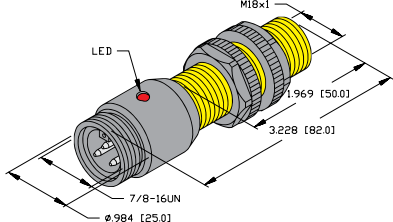
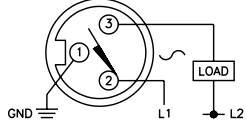
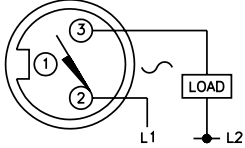
We reserve the right to make technical alterations without prior notice.

Inductive Barrel Sensors



Inductive Barrel Sensors | 18 mm

Nonembeddable Fully Threaded Barrels with Connector and AC/DC Outputs

Housing Style	Dimension Drawings	
	<p>A</p>  <p>18 mm - Nonembeddable 7/8" Minifast Connection</p>	
<p>B</p>  <p>18 mm - Nonembeddable 7/8" Minifast Connection, PTFE Coated</p>	<p>C</p>  <p>18 mm - Nonembeddable, PTFE Coated 7/8" Minifast Right Angle Connection</p>	
<p>D</p>  <p>18 mm - Embeddable and Nonembeddable, Full Threading, 7/8" Minifast Connection</p>		
Wiring Diagrams/Mating Cordsets		
<p>1</p>  <p>Mating Cordset: RKM 30-*M; RKM 311-*M/S600</p>	<p>2</p>  <p>Mating Cordset: RK 30-*M</p>	
A5 2-wire AC/DC w/ Short-Circuit Protection - (ADZ, RDZ, FDZ, VDZ)		
<p>Line Frequency: $\geq 50... \leq 60$ Hz</p> <p>Differential Travel (Hysteresis): 3-15% (5% typical)</p> <p>Voltage Drop Across Conducting Sensor: ≤ 6.0 V</p> <p>Trigger Current for Short Circuit Protection: AC: ≥ 440 mA; DC: ≥ 330 mA</p> <p>Continuous Load Current: AC: ≤ 400 mA; DC: ≤ 300 mA</p> <p>Off-State (Leakage) Current: ≤ 1.7 mA (AC)</p> <p>≤ 1.5 mA (DC)</p>	<p>Minimum Load Current: ≥ 3.0 mA</p> <p>Inrush Current: ≤ 3 A (≤ 20 ms, max 5 Hz)</p> <p>Power-On Effect: Per IEC 947-5-2</p> <p>Transient Protection: Per EN 60947-5-2</p> <p>Shock: 30 g, 11 ms</p> <p>Vibration: 55 Hz, 1 mm Amplitude, in all 3 Planes</p> <p>Repeatability: $\leq 2\%$ of Rated Operating Distance</p>	
A6 2-wire AC/DC w/o Short-Circuit Protection - (AZ, RZ, FZ)		
<p>Line Frequency: $\geq 50... \leq 60$ Hz</p> <p>Differential Travel (Hysteresis): 3-15% (5% typical)</p> <p>Voltage Drop Across Conducting Sensor: ≤ 6.0 V</p> <p>Continuous Load Current: AC: ≤ 400 mA; DC: ≤ 300 mA</p> <p>Off-State (Leakage) Current: ≤ 1.7 mA</p> <p>Minimum Load Current: ≥ 3.0 mA</p>	<p>Inrush Current: ≤ 8 A (≤ 10ms max. 5 Hz)</p> <p>≤ 1 A (≤ 10 ms max. 5 Hz) 12 mm</p> <p>≤ 0.2 A (≤ 10 ms max. 0.2 Hz) 8 mm</p> <p>Power-On Effect: Per IEC 947-5-2</p> <p>Transient Protection: Per EN 60947-5-2</p> <p>Shock: 30 g, 11 ms</p> <p>Vibration: 55 Hz, 1 mm Amplitude, in all 3 Planes</p> <p>Repeatability: $\leq 2\%$ of Rated Operating Distance</p>	

We reserve the right to make technical alterations without prior notice.



Inductive Barrel Sensors | 18 mm

Nonembeddable Fully Threaded Barrels with Connector and AC/DC Outputs


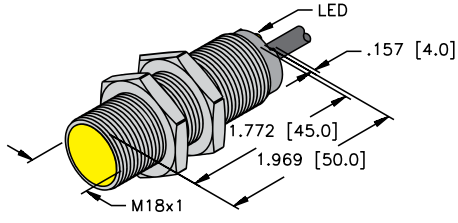
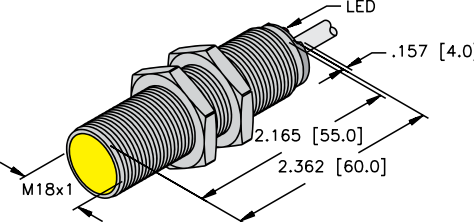
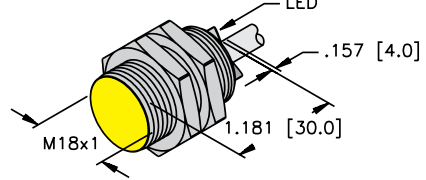
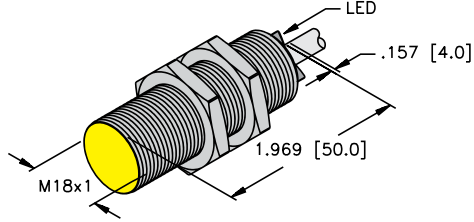
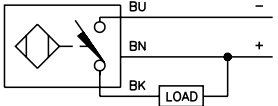
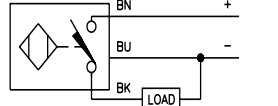
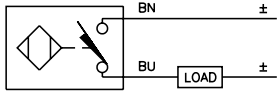
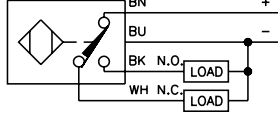
Part Number/ ID Number	Features	Sensing Range (mm)	Output	Voltage	Switching Freq. (Hz)	Operating Current (mA)	Operating Temp. (°C)	Protection	Housing	Face	Power LED	Output LED	Dimension Drawings	Wiring Diagrams	Spec List
Ni14-G18-ADZ30X2-B1331 4205407	Extended Range	14	2-wire AC/DC Short-Circuit Protected	20-250 VAC/ 10-300 VDC	20	≤400/300	-25 to +70	IP67	CPB	PA 12	GN	RD	A	1	A5
Ni14-GT18H-ADZ30X2-B1331/S1589 4205484	PTFE, Weldguard	14	2-wire AC/DC Short-Circuit Protected	20-250 VAC/ 10-300 VDC	20	≤400/300	-25 to +70	IP67	TC	WG	GN	RD	B	1	A5
Ni12U-G18-ADZ30X2-B1331 4281412	Uprox	12	2-wire AC/DC Short-Circuit Protected	20-250 VAC/ 10-300 VDC	10	≤400/300	-30 to +85	IP67	CPB	PBT	GN	YE	A	1	A5
Ni12U-GT18-ADZ30X2-B1331 4281422	Uprox	12	2-wire AC/DC Short-Circuit Protected	20-250 VAC/ 10-300 VDC	10	≤400/300	-30 to +85	IP67	TC	TC	GN	YE	B	1	A5
Ni10-G18-AZ3X-B1331 43721		10	2-wire AC/DC	20-250 VAC/ 10-300 VDC	20	≤400/300	-25 to +70	IP67	CPB	PA 12	N/A	RD	A	1	A6
Ni10-P18-AZ3X-B2331 43752		10	2-wire AC/DC	20-250 VAC/ 10-300 VDC	20	≤400/300	-25 to +70	IP67	PA 12	PA 12	N/A	RD	D	2	A6
Ni8-GT18-ADZ30X2-B1331/S34 4208801	PTFE, WFI	8	2-wire AC/DC Short-Circuit Protected	20-250 VAC/ 10-300 VDC	20	≤400/300	-25 to +70	IP67	TC	TC	GN	RD	B	1	A5
Ni8-GT18H-ADZ30X2-B1331/S34/S1589 4208890	PTFE, Weldguard	8	2-wire AC/DC Short-Circuit Protected	20-250 VAC/ 10-300 VDC	20	≤400/300	-25 to +70	IP67	TC	WG	GN	RD	B	1	A5
Ni8-GT18-ADZ30X2-B1431/S34 4208901	PTFE, WFI	8	2-wire AC/DC Short-Circuit Protected	20-250 VAC/ 10-300 VDC	20	≤400/300	-25 to +70	IP67	TC	TC	GN	RD	C	1	A5
Ni8-GT18H-ADZ30X2-B1431/S34/S1589 4208990	Weldguard	8	2-wire AC/DC Short-Circuit Protected	20-250 VAC/ 10-300 VDC	20	≤400/300	-25 to +70	IP67	TC	WG	GN	RD	C	1	A5

We reserve the right to make technical alterations without prior notice.

Inductive Barrel Sensors

Inductive Barrel Sensors | 18 mm

Embeddable Threaded Metal Barrels with Cable and DC Outputs

Housing Style	Dimension Drawings
	<p>A</p>  <p>18 mm - Embeddable, Potted-in Cable</p>
<p>B</p>  <p>18 mm - Embeddable, Potted-In Cable, Extended Length Barrel, Partial Threading</p>	<p>C</p>  <p>18 mm - Embeddable, Full Threading, Potted-In Cable</p>
<p>D</p>  <p>18 mm - Embeddable, Full Threading, Potted-In Cable</p>	
Wiring Diagrams/Mating Cordsets	
<p>1</p> 	<p>2</p> 
<p>3</p> 	<p>4</p> 
A4 3 and 4-wire DC - (AN, RN, AP, RP, VN, VP)	
<p>Ripple: ≤10%</p> <p>Differential Travel (Hysteresis): 3-15% (5% typical)</p> <p>Voltage Drop Across Conducting Sensor: ≤1.8 V</p> <p>Trigger Current for Short Circuit Protection: ≥220 mA on 200 mA Load Current ≥170 mA on 150 mA Load Current ≥120 mA on 100 mA Load Current</p> <p>Off-State (Leakage) Current: ≤0.1 mA</p> <p>No-Load Current: ≤15 mA (Ferrite, Uprox) ≤20 mA (Uprox+, Uprox3)</p>	<p>Time Delay Before Availability: ≤8 ms</p> <p>Power-On Effect: Per IEC 947-5-2</p> <p>Reverse Polarity Protection: Incorporated</p> <p>Wire-Break Protection: Incorporated</p> <p>Transient Protection: Per EN 60947-5-2</p> <p>Temperature Drift: ≤±10%</p> <p>Shock: 30 g, 11 ms</p> <p>Vibration: 55 Hz, 1 mm Amplitude in all 3 Planes</p> <p>Repeatability: ≤2% of Rated Operating Distance</p>

We reserve the right to make technical alterations without prior notice.



Inductive Barrel Sensors | 18 mm

Embeddable Threaded Metal Barrels with Cable and DC Outputs

Part Number/ ID Number	Features	Sensing Range (mm)	Output	Voltage	Switching Freq. (Hz)	Operating Current (mA)	Operating Temp. (°C)	Protection	Housing	Face	Power LED	Output LED	Cable Length/Jacket	Dimension Drawings	Wiring Diagrams	Spec List
Bi10U-M18-AN6X 1644845	Uprox3	10	3-wire DC NPN	10-30 VDC	1500	≤200	-25 to +70	IP68	CPB	LCP	N/A	YE	2M/PVC	A	1	A4
Bi10U-M18-AP6X 1644840	Uprox3	10	3-wire DC PNP	10-30 VDC	1500	≤200	-25 to +70	IP68	CPB	LCP	N/A	YE	2M/PVC	A	2	A4
Bi10U-M18-VP6X 1644842	Uprox3, Comp. Outputs	10	4-wire DC PNP	10-30 VDC	1500	≤200	-25 to +70	IP68	CPB	LCP	N/A	YE	2M/PVC	A	4	A4
Bi8U-M18-AN6X 1644736	Uprox+	8	3-wire DC NPN	10-30 VDC	1500	≤200	-30 to +85	IP68	CPB	LCP	N/A	YE	2M/PVC	A	1	A4
Bi8U-M18-AP6X 1644733	Uprox+	8	3-wire DC PNP	10-30 VDC	1500	≤200	-30 to +85	IP68	CPB	LCP	N/A	YE	2M/PVC	A	2	A4
Bi8-M18-AN6X 4615130	Extended Range	8	3-wire DC NPN	10-30 VDC	500	≤200	-25 to +70	IP67	SS	PA 12	N/A	YE	2M/PVC	A	1	A4
Bi8-M18-AP6X 4615030	Extended Range	8	3-wire DC PNP	10-30 VDC	500	≤200	-25 to +70	IP67	SS	PA 12	N/A	YE	2M/PVC	A	2	A4
Bi8-M18-VN4X 4590703	Comp. Outputs	8	4-wire DC NPN	10-65 VDC	500	≤200	-25 to +70	IP67	SS	PA 12	N/A	YE	2M/PVC	A	3	A4
Bi8-M18-VP4X 4590704	Comp. Outputs	8	4-wire DC PNP	10-65 VDC	500	≤200	-25 to +70	IP67	SS	PA 12	N/A	YE	2M/PVC	A	4	A4
Bi8-G18-AN6X 4616101	Extended Range	8	3-wire DC NPN	10-30 VDC	500	≤200	-25 to +70	IP67	SS	PA 12	N/A	YE	2M/PVC	D	1	A4
Bi8-G18-AP6X 4615088		8	3-wire DC PNP	10-30 VDC	500	≤200	-25 to +70	IP67	SS	PA 12	N/A	YE	2M/PVC	D	2	A4
Bi5U-M18-AN6X 1635120	Uprox	5	3-wire DC NPN	10-30 VDC	1500	≤200	-30 to +85	IP67	CPB	PBT	N/A	YE	2M/PVC	A	1	A4
Bi5U-EM18-AP6X 1635300	Uprox	5	3-wire DC PNP	10-30 VDC	2500	≤200	-30 to +85	IP68	SS	PBT	N/A	YE	2M/PVC	A	2	A4
Bi5U-M18-AP6X 1635100	Uprox	5	3-wire DC PNP	10-30 VDC	1500	≤200	-30 to +85	IP67	CPB	PBT	N/A	YE	2M/PVC	A	2	A4
Bi5U-M18E-AP6X 1635101	Uprox	5	3-wire DC PNP	10-30 VDC	1500	≤200	-30 to +85	IP67	CPB	PBT	N/A	YE	2M/PVC	B	1	A4
Bi5-G18-AN6X 4641500		5	3-wire DC NPN	10-30 VDC	1000	≤200	-25 to +70	IP67	CPB	PA 12	N/A	YE	2M/PVC	D	1	A4
Bi5-G18-AN7X 4740500	TTL Compatible	5	3-wire DC NPN	10-30 VDC	1000	≤150	-25 to +70	IP67	CPB	PA 12	N/A	YE	2M/PVC	D	1	A4
Bi5-G18-AP6X 4641400		5	3-wire DC PNP	10-30 VDC	1000	≤200	-25 to +70	IP67	CPB	PA 12	N/A	YE	2M/PVC	D	2	A4
Bi5-EG18-AN6X 4611101		5	3-wire DC NPN	10-30 VDC	1000	≤200	-25 to +70	IP67	SS	PA 12	N/A	YE	2M/PVC	D	1	A4
Bi5-EG18-AP6X 4611001		5	3-wire DC PNP	10-30 VDC	1000	≤200	-25 to +70	IP67	SS	PA 12	N/A	YE	2M/PVC	D	2	A4
Bi5-M18E-VP4X 1561190	Comp. Outputs	5	4-wire DC PNP	10-65 VDC	1000	≤200	-25 to +70	IP67	CPB	PA 12	N/A	YE	2M/PVC	B	4	A4
Bi5-G18K-AN6X 46714	Short Barrel	5	3-wire DC NPN	10-30 VDC	1000	≤200	-25 to +70	IP67	CPB	PA 12	N/A	YE	2M/PVC	C	1	A4
Bi5-G18K-AP6X 46704	Short Barrel	5	3-wire DC PNP	10-30 VDC	1000	≤200	-25 to +70	IP67	CPB	PA 12	N/A	YE	2M/PVC	C	2	A4


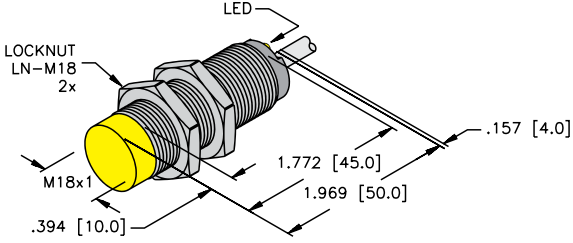
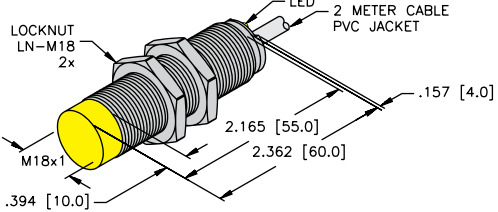
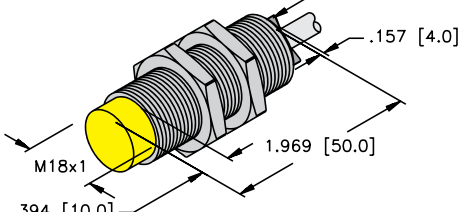
We reserve the right to make technical alterations without prior notice.

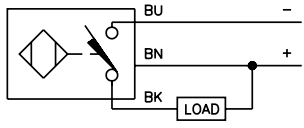
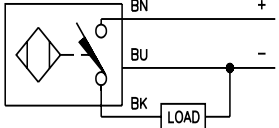
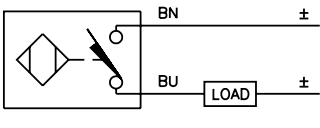
Inductive Barrel Sensors



Inductive Barrel Sensors | 18 mm

Nonembeddable Threaded Metal Barrels with Cable and DC Outputs

Housing Style	Dimension Drawings
	<p>A</p>  <p>18 mm - Nonembeddable, Potted-in Cable</p>
<p>B</p>  <p>18 mm - Nonembeddable, Extended Barrel Length, Partial Threading, Potted-In Cable</p>	<p>C</p>  <p>18 mm - Nonembeddable, Full Threading, Potted-In Cable</p>

Wiring Diagrams/Mating Cordsets		
<p>1</p> 	<p>2</p> 	<p>3</p> 

A2	2-wire DC - (AD, RD, AG)	
<p>Ripple: ≤10%</p> <p>Differential Travel (Hysteresis): 3-15% (5% typical)</p> <p>Voltage Drop Across Conducting Sensor: Non-polarized (AD) <5.0 V Polarized (AG) ≤4.2 V</p> <p>Trigger Current for Short Circuit Protection: ≥120 mA</p> <p>Minimum Load Current: ≥3.0 mA</p>		<p>Off-State (Leakage) Current: ≤0.8 mA</p> <p>Power-On Effect: Per IEC 947-5-2</p> <p>Transient Protection: Per EN 60947-5-2</p> <p>Shock: 30 g, 11 ms</p> <p>Vibration: 55 Hz, 1 mm Amplitude in all 3 Planes</p> <p>Repeatability: ≤2% of Rated Operating Distance</p>
A4	3 and 4-wire DC - (AN, RN, AP, RP, VN, VP)	
<p>Ripple: ≤10%</p> <p>Differential Travel (Hysteresis): 3-15% (5% typical)</p> <p>Voltage Drop Across Conducting Sensor: ≤1.8 V</p> <p>Trigger Current for Short Circuit Protection: ≥220 mA on 200 mA Load Current ≥170 mA on 150 mA Load Current ≥120 mA on 100 mA Load Current</p> <p>Off-State (Leakage) Current: ≤0.1 mA</p> <p>No-Load Current: ≤15 mA (Ferrite, Uprox) ≤20 mA (Uprox+, Uprox3)</p>		<p>Time Delay Before Availability: ≤8 ms</p> <p>Power-On Effect: Per IEC 947-5-2</p> <p>Reverse Polarity Protection: Incorporated</p> <p>Wire-Break Protection: Incorporated</p> <p>Transient Protection: Per EN 60947-5-2</p> <p>Temperature Drift: ≤±10%</p> <p>Shock: 30 g, 11 ms</p> <p>Vibration: 55 Hz, 1 mm Amplitude in all 3 Planes</p> <p>Repeatability: ≤2% of Rated Operating Distance</p>

We reserve the right to make technical alterations without prior notice.



Inductive Barrel Sensors | 18 mm

Nonembeddable Threaded Metal Barrels with Cable and DC Outputs

Part Number/ ID Number	Features	Sensing Range (mm)	Output	Voltage	Switching Freq. (Hz)	Operating Current (mA)	Operating Temp. (°C)	Protection	Housing	Face	Power LED	Output LED	Cable Length/Jacket	Dimension Drawings	Wiring Diagrams	Spec List
Ni15U-M18-AN6X 1635334	Uprox+	15	3-wire DC NPN	10-30 VDC	1500	≤200	-30 to +85	IP68	CPB	LCP	N/A	YE	2M/PVC	A	1	A4
Ni15U-M18-AP6X 1635330	Uprox+	15	3-wire DC PNP	10-30 VDC	1500	≤200	-30 to +85	IP68	CPB	LCP	N/A	YE	2M/PVC	A	2	A4
Ni14-M18-AD4X 4417235	Extended Range	14	2-wire DC	10-65 VDC	500	≤100	-25 to +70	IP67	CPB	PA 12	N/A	YE	2M/PVC	A	3	A2
Ni14-M18-AN6X 4611411	Extended Range	14	3-wire DC NPN	10-30 VDC	500	≤200	-25 to +70	IP67	CPB	PA 12	N/A	YE	2M/PVC	A	1	A4
Ni14-M18-AP6X 4611401	Extended Range	14	3-wire DC PNP	10-30 VDC	500	≤200	-25 to +70	IP67	CPB	PA 12	N/A	YE	2M/PVC	A	2	A4
Ni12U-M18-AN6X 1645120	Uprox	12	3-wire DC NPN	10-30 VDC	1500	≤200	-30 to +85	IP67	CPB	PBT	N/A	YE	2M/PVC	A	1	A4
Ni12U-M18-AP6X 1645100	Uprox	12	3-wire DC PNP	10-30 VDC	1500	≤200	-30 to +85	IP67	CPB	PBT	N/A	YE	2M/PVC	A	2	A4
Ni12U-M18E-AN6X 1645110	Uprox	12	3-wire DC NPN	10-30 VDC	1500	≤200	-30 to +85	IP67	CPB	PBT	N/A	YE	2M/PVC	B	1	A4
Ni12U-M18E-AP6X 1645106	Uprox	12	3-wire DC PNP	10-30 VDC	1500	≤200	-30 to +85	IP67	CPB	PBT	N/A	YE	2M/PVC	B	2	A4
Ni12U-EM18-AN6X 1645320	Uprox	12	3-wire DC NPN	10-30 VDC	2000	≤200	-30 to +85	IP67	SS	PBT	N/A	YE	2M/PVC	A	1	A4
Ni12U-EM18-AP6X 1645300	Uprox	12	3-wire DC PNP	10-30 VDC	2000	≤200	-30 to +85	IP67	SS	PBT	N/A	YE	2M/PVC	A	2	A4
Ni10-G18-AN6X 4641700		10	3-wire DC NPN	10-30 VDC	1000	≤200	-25 to +70	IP67	CPB	PA 12	N/A	YE	2M/PVC	C	1	A4
Ni10-G18-AN7X 4740700	TTL Compatible	10	3-wire DC NPN	10-30 VDC	1000	≤150	-25 to +70	IP67	CPB	PA 12	N/A	YE	2M/PVC	C	1	A4
Ni10-G18-AP6X 4641600		10	3-wire DC PNP	10-30 VDC	1000	≤200	-25 to +70	IP67	CPB	PA 12	N/A	YE	2M/PVC	C	2	A4
Ni8-M18-AD4X 44112		8	2-wire DC	10-65 VDC	500	≤100	-25 to +70	IP67	CPB	PA 12	N/A	YE	2M/PVC	A	3	A2


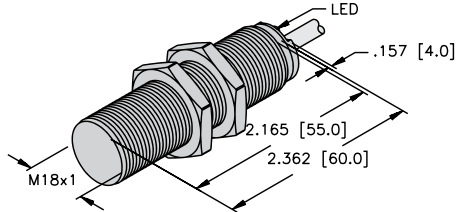
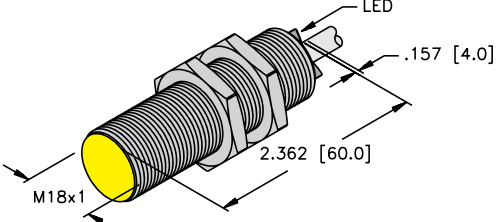
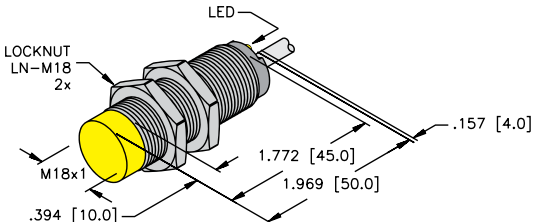
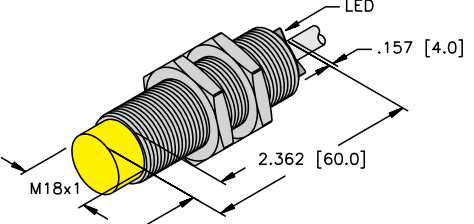
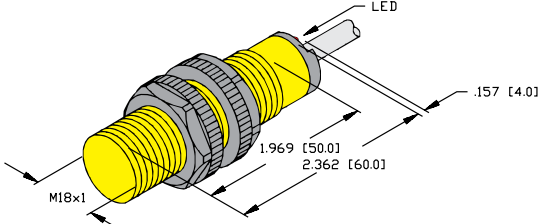
We reserve the right to make technical alterations without prior notice.

Inductive Barrel Sensors

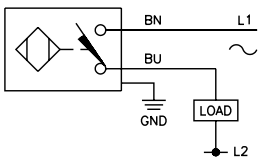
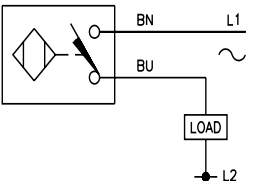


Inductive Barrel Sensors | 18 mm

Threaded Barrels with Cable and AC/DC Outputs

Housing Style	Dimension Drawings
	<p>A</p>  <p>18 mm - Embeddable, Potted-In Cable, Partial Threading, PTFE Coated</p>
<p>B</p>  <p>18 mm - Embeddable, Full Threading, Potted-In Cable</p>	<p>C</p>  <p>18 mm - Nonembeddable, Partial Threading, Potted-In Cable</p>
<p>D</p>  <p>18 mm - Nonembeddable, Full Threading, Potted-In Cable</p>	<p>E</p>  <p>18 mm - Embeddable and Nonembeddable, Partial Threading, Potted-In Cable</p>

We reserve the right to make technical alterations without prior notice.

Wiring Diagrams/Mating Cordsets	
<p>1</p> 	<p>2</p> 

A5 2-wire AC/DC w/ Short-Circuit Protection - (ADZ, RDZ, FDZ, VDZ)	
<p>Line Frequency: $\geq 50... \leq 60$ Hz</p> <p>Differential Travel (Hysteresis): 3-15% (5% typical)</p> <p>Voltage Drop Across Conducting Sensor: ≤ 6.0 V</p> <p>Trigger Current for Short Circuit Protection: AC: ≥ 440 mA; DC: ≥ 330 mA AC: ≥ 120 mA; DC: ≥ 120 mA</p> <p>Continuous Load Current: AC: ≤ 400 mA; DC: ≤ 300 mA AC: ≤ 100 mA; DC: ≤ 100 mA</p> <p>Off-State (Leakage) Current: ≤ 1.7 mA (AC) ≤ 1.5 mA (DC)</p>	<p>Minimum Load Current: ≥ 3.0 mA</p> <p>Inrush Current: ≤ 3 A (≤ 20 ms, max 5 Hz)</p> <p>Power-On Effect: Per IEC 947-5-2</p> <p>Transient Protection: Per EN 60947-5-2</p> <p>Shock: 30 g, 11 ms</p> <p>Vibration: 55 Hz, 1 mm Amplitude, in all 3 Planes</p> <p>Repeatability: $\leq 2\%$ of Rated Operating Distance</p>
A6 2-wire AC/DC w/o Short-Circuit Protection - (AZ, RZ, FZ)	
<p>Line Frequency: $\geq 50... \leq 60$ Hz</p> <p>Differential Travel (Hysteresis): 3-15% (5% typical)</p> <p>Voltage Drop Across Conducting Sensor: ≤ 6.0 V</p> <p>Continuous Load Current: AC: ≤ 400 mA; DC: ≤ 300 mA AC: ≤ 100 mA; DC: ≤ 100 mA</p> <p>Off-State (Leakage) Current: ≤ 1.7 mA</p> <p>Minimum Load Current: ≥ 3.0 mA</p>	<p>Inrush Current: ≤ 8 A (≤ 10ms max. 5 Hz) ≤ 1 A (≤ 10 ms max. 5 Hz) 12 mm ≤ 0.2 A (≤ 10 ms max. 0.2 Hz) 8 mm</p> <p>Power-On Effect: Per IEC 947-5-2</p> <p>Transient Protection: Per EN 60947-5-2</p> <p>Shock: 30 g, 11 ms</p> <p>Vibration: 55 Hz, 1 mm Amplitude, in all 3 Planes</p> <p>Repeatability: $\leq 2\%$ of Rated Operating Distance</p>



Inductive Barrel Sensors | 18 mm

Threaded Barrels with Cable and AC/DC Outputs

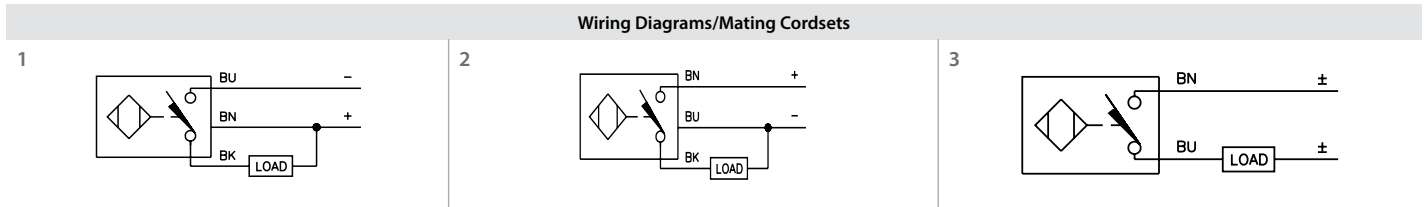
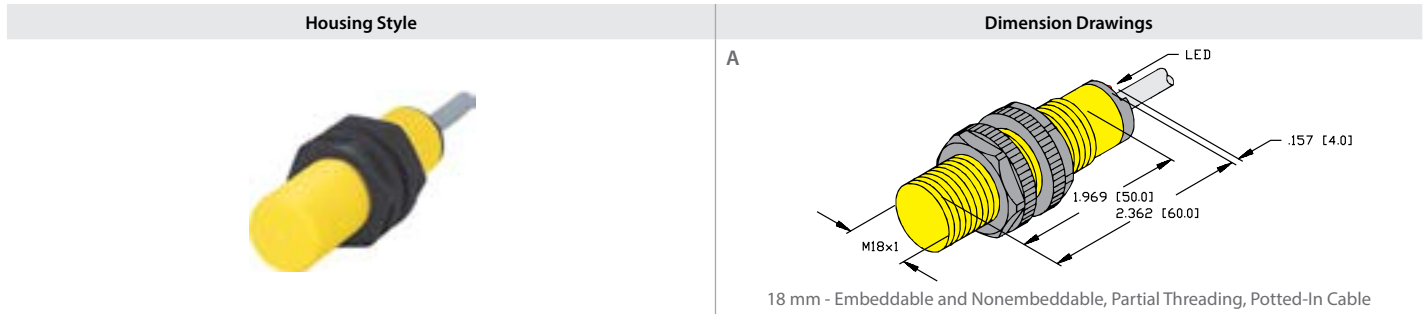
Part Number/ ID Number	Features	Sensing Range (mm)	Output	Voltage	Switching Freq. (Hz)	Operating Current (mA)	Operating Temp. (°C)	Protection	Housing	Face	Power LED	Output LED	Cable Length/Jacket	Dimension Drawings	Wiring Diagrams	Spec List
Bi5U-MT18-ADZ30X2 4209410	Uprox	5	2-wire AC/DC Short-Circuit Protected	20-250 VAC/ 10-300 VDC	10	≤400/300	-30 to +85	IP67	TC	TC	GN	YE	2M/PVC	A	1	A5
Bi5-G18-ADZ30X2 4212000		5	2-wire AC/DC Short-Circuit Protected	20-250 VAC/ 10-300 VDC	20	≤400/300	-25 to +70	IP67	CPB	PA 12	GN	RD	2M/PVC	B	1	A5
Bi5-G18-AZ3X 4330400		5	2-wire AC/DC	20-250 VAC/ 10-300 VDC	20	≤400/300	-25 to +70	IP67	CPB	PA 12	N/A	RD	2M/PVC	B	1	A6
Bi5-G18-AZ3X2 1374195		5	2-wire AC/DC	20-250 VAC/ 10-300 VDC	20	≤400/300	-25 to +70	IP67	CPB	PA 12	GN	YE	2M/PVC	B	1	A6
Bi5-EG18-AZ3X 4611190		5	2-wire AC/DC	20-250 VAC/ 10-300 VDC	20	≤400/300	-25 to +70	IP67	SS	PA 12	N/A	RD	2M/PVC	B	1	A6
Bi5-S18-AZ3X 4350400		5	2-wire AC/DC	20-250 VAC/ 10-300 VDC	20	≤400/300	-25 to +70	IP67	PA 12	PA 12	N/A	RD	2M/PVC	E	2	A6
Ni14-G18-ADZ30X2 4205402	Extended Range	14	2-wire AC/DC Short-Circuit Protected	20-250 VAC/ 10-300 VDC	20	≤400/300	-25 to +70	IP67	CPB	PA 12	GN	RD	2M/PVC	D	1	A5
Ni12U-M18-ADZ30X2 4282410	Uprox	12	2-wire AC/DC Short-Circuit Protected	20-250 VAC/ 10-300 VDC	10	≤400/300	-30 to +85	IP67	CPB	PBT	GN	YE	2M/PVC	C	1	A5
Ni8-S18-AZ3X 4350500		8	2-wire AC/DC	20-250 VAC/ 10-300 VDC	20	≤400/300	-25 to +70	IP67	PA 12	PA 12	N/A	RD	2M/PVC	E	2	A6

We reserve the right to make technical alterations without prior notice.

Inductive Barrel Sensors

Inductive Barrel Sensors | 18 mm

Threaded Plastic Barrels with Cable and DC Outputs



A2	2-wire DC - (AD, RD, AG)	
<p data-bbox="402 863 537 884">Ripple: $\leq 10\%$</p> <p data-bbox="215 890 638 911">Differential Travel (Hysteresis): 3-15% (5% typical)</p> <p data-bbox="131 919 699 940">Voltage Drop Across Conducting Sensor: Non-polarized (AD) $< 5.0\text{ V}$</p> <p data-bbox="483 949 656 970">Polarized (AG) $\leq 4.2\text{ V}$</p> <p data-bbox="110 978 561 999">Trigger Current for Short Circuit Protection: $\geq 120\text{ mA}$</p> <p data-bbox="266 1008 557 1029">Minimum Load Current: $\geq 3.0\text{ mA}$</p>	<p data-bbox="911 863 1235 884">Off-State (Leakage) Current: $\leq 0.8\text{ mA}$</p> <p data-bbox="1000 890 1289 911">Power-On Effect: Per IEC 947-5-2</p> <p data-bbox="967 919 1305 940">Transient Protection: Per EN 60947-5-2</p> <p data-bbox="1081 949 1256 970">Shock: 30 g, 11 ms</p> <p data-bbox="1057 978 1471 999">Vibration: 55 Hz, 1 mm Amplitude in all 3 Planes</p> <p data-bbox="1024 1008 1438 1029">Repeatability: $\leq 2\%$ of Rated Operating Distance</p>	
A4	3 and 4-wire DC - (AN, RN, AP, RP, VN, VP)	
<p data-bbox="402 1083 537 1104">Ripple: $\leq 10\%$</p> <p data-bbox="215 1110 638 1131">Differential Travel (Hysteresis): 3-15% (5% typical)</p> <p data-bbox="131 1140 540 1161">Voltage Drop Across Conducting Sensor: $\leq 1.8\text{ V}$</p> <p data-bbox="110 1169 764 1190">Trigger Current for Short Circuit Protection: $\geq 220\text{ mA}$ on 200 mA Load Current</p> <p data-bbox="191 1199 764 1220">$\geq 170\text{ mA}$ on 150 mA Load Current</p> <p data-bbox="191 1228 764 1249">$\geq 120\text{ mA}$ on 100 mA Load Current</p> <p data-bbox="233 1257 557 1278">Off-State (Leakage) Current: $\leq 0.1\text{ mA}$</p> <p data-bbox="318 1287 675 1308">No-Load Current: $\leq 15\text{ mA}$ (Ferrite, Uprox)</p> <p data-bbox="483 1316 695 1337">$\leq 20\text{ mA}$ (Uprox+, Uprox3)</p>	<p data-bbox="889 1083 1219 1104">Time Delay Before Availability: $\leq 8\text{ ms}$</p> <p data-bbox="1000 1110 1284 1131">Power-On Effect: Per IEC 947-5-2</p> <p data-bbox="914 1140 1268 1161">Reverse Polarity Protection: Incorporated</p> <p data-bbox="954 1169 1268 1190">Wire-Break Protection: Incorporated</p> <p data-bbox="967 1199 1300 1220">Transient Protection: Per EN 60947-5-2</p> <p data-bbox="984 1228 1224 1249">Temperature Drift: $\leq \pm 10\%$</p> <p data-bbox="1081 1257 1256 1278">Shock: 30 g, 11 ms</p> <p data-bbox="1057 1287 1459 1308">Vibration: 55 Hz, 1 mm Amplitude in all 3 Planes</p> <p data-bbox="1024 1316 1427 1337">Repeatability: $\leq 2\%$ of Rated Operating Distance</p>	

We reserve the right to make technical alterations without prior notice.



Inductive Barrel Sensors | 18 mm

Threaded Plastic Barrels with Cable and DC Outputs

Part Number/ ID Number	Features	Sensing Range (mm)	Output	Voltage	Switching Freq. (Hz)	Operating Current (mA)	Operating Temp. (°C)	Protection	Housing	Face	Power LED	Output LED	Dimension Drawings	Wiring Diagrams	Spec List
Bi5U-S18-AP6X 1635500	Uprox	5	3-wire DC PNP	10-30 VDC	2500	≤200	-30 to +85	IP68	PA 12	PA 12	N/A	YE	A	2	A4
Bi5-S18-AD4X 44560		5	2-wire DC	10-65 VDC	1000	≤100	-25 to +70	IP67	PA 12	PA 12	N/A	YE	A	3	A2
Bi5-S18-AN6X 46561		5	3-wire DC NPN	10-30 VDC	1000	≤200	-25 to +70	IP67	PA 12	PA 12	N/A	YE	A	1	A4
Bi5-S18-AN7X 1714000	TTL Compatible	5	3-wire DC NPN	10-30 VDC	1000	≤150	-25 to +70	IP67	PA 12	PA 12	N/A	YE	A	1	A4
Bi5-S18-AN7X/S100 17734	High Temp. 100 °C	5	3-wire DC NPN	10-30 VDC	1000	≤150	-25 to +100	IP67	PA 12	IRPA	N/A	YE	A	1	A4
Bi5-S18-AP6X 46560		5	3-wire DC PNP	10-30 VDC	1000	≤200	-25 to +70	IP67	PA 12	PA 12	N/A	YE	A	2	A4
Bi5-S18-AP7X/S100 1754200	TTL Compatible, High Temp. 100 °C	5	3-wire DC PNP	10-30 VDC	1000	≤150	-25 to +100	IP67	PA 12	IRPA	N/A	YE	A	2	A4
Ni12U-S18-AN6X 1645520	Uprox	12	3-wire DC NPN	10-30 VDC	2000	≤200	-30 to +85	IP68	PA 12	PA 12	N/A	YE	A	1	A4
Ni12U-S18-AP6X 1645500	Uprox	12	3-wire DC PNP	10-30 VDC	2000	≤200	-30 to +85	IP68	PA 12	PA 12	N/A	YE	A	2	A4
Ni8-S18-AD4X 44562		8	2-wire DC	10-65 VDC	500	≤100	-25 to +70	IP67	PA 12	PA 12	N/A	YE	A	3	A2
Ni8-S18-AN6X 46563		8	3-wire DC NPN	10-30 VDC	500	≤200	-25 to +70	IP67	PA 12	PA 12	N/A	YE	A	1	A4
Ni8-S18-AN7X 1714100	TTL Compatible	8	3-wire DC NPN	10-30 VDC	500	≤150	-25 to +70	IP67	PA 12	PA 12	N/A	YE	A	1	A4
Ni8-S18-AP6X 46562		8	3-wire DC PNP	10-30 VDC	500	≤200	-25 to +70	IP67	PA 12	PA 12	N/A	YE	A	2	A4
Ni8-S18-AN7X/S100 1773250	TTL Compatible, High Temp. 100 °C	8	3-wire DC NPN	10-30 VDC	500	≤150	-25 to +100	IP67	PA 12	IRPA	N/A	YE	A	1	A4
Ni8-S18-AP7X/S100 1749850	TTL Compatible, High Temp. 100 °C	8	3-wire DC PNP	10-30 VDC	500	≤150	-25 to +100	IP67	PA 12	IRPA	N/A	YE	A	2	A4


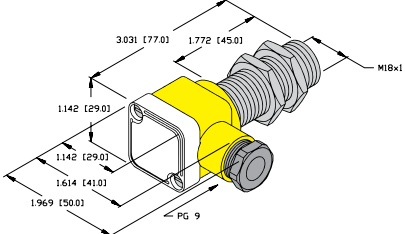
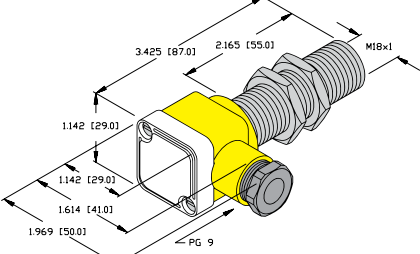
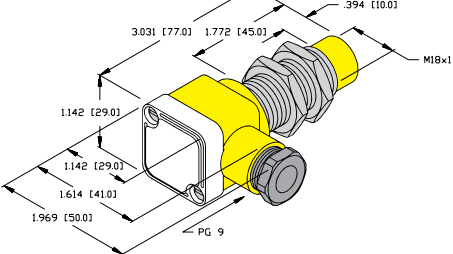
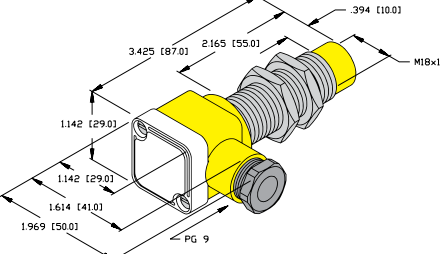
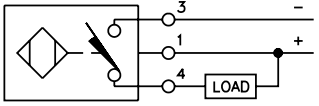
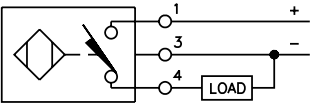
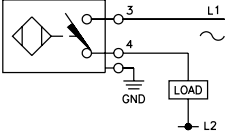
We reserve the right to make technical alterations without prior notice.

Inductive Barrel Sensors



Inductive Barrel Sensors | 18 mm

Threaded Metal Barrels with Terminal Chamber and AC/DC Outputs

Housing Style	Dimension Drawings	
	<p>A</p>  <p>18 mm - Embeddable, Terminal Chamber</p>	
<p>B</p>  <p>18 mm - Embeddable, Terminal Chamber</p>	<p>C</p>  <p>18 mm - Nonembeddable, Terminal Chamber</p>	
<p>D</p>  <p>18 mm - Nonembeddable, Terminal Chamber</p>		
Wiring Diagrams/Mating Cordsets		
<p>1</p> 	<p>2</p> 	<p>3</p> 
A4	3 and 4-wire DC - (AN, RN, AP, RP, VN, VP)	
<p>Ripple: ≤10%</p> <p>Differential Travel (Hysteresis): 3-15% (5% typical)</p> <p>Voltage Drop Across Conducting Sensor: ≤1.8 V</p> <p>Trigger Current for Short Circuit Protection:</p> <ul style="list-style-type: none"> ≥220 mA on 200 mA Load Current ≥170 mA on 150 mA Load Current ≥120 mA on 100 mA Load Current <p>Off-State (Leakage) Current: ≤0.1 mA</p> <p>No-Load Current:</p> <ul style="list-style-type: none"> ≤15 mA (Ferrite, Uprox) ≤20 mA (Uprox+, Uprox3) 	<p>Time Delay Before Availability: ≤8 ms</p> <p>Power-On Effect: Per IEC 947-5-2</p> <p>Reverse Polarity Protection: Incorporated</p> <p>Wire-Break Protection: Incorporated</p> <p>Transient Protection: Per EN 60947-5-2</p> <p>Temperature Drift: ≤±10%</p> <p>Shock: 30 g, 11 ms</p> <p>Vibration: 55 Hz, 1 mm Amplitude in all 3 Planes</p> <p>Repeatability: ≤2% of Rated Operating Distance</p>	
A6	2-wire AC/DC w/o Short-Circuit Protection - (AZ, RZ, FZ)	
<p>Line Frequency: ≥50... ≤60 Hz</p> <p>Differential Travel (Hysteresis): 3-15% (5% typical)</p> <p>Voltage Drop Across Conducting Sensor: ≤6.0 V</p> <p>Continuous Load Current:</p> <ul style="list-style-type: none"> AC: ≤400 mA; DC: ≤300 mA AC: ≤100 mA; DC: ≤100 mA <p>Off-State (Leakage) Current: ≤1.7 mA</p> <p>Minimum Load Current: ≥3.0 mA</p>	<p>Inrush Current:</p> <ul style="list-style-type: none"> ≤8 A (≤10ms max. 5 Hz) ≤1 A (≤10 ms max. 5 Hz) 12 mm ≤0.2 A (≤10 ms max. 0.2 Hz) 8 mm <p>Power-On Effect: Per IEC 947-5-2</p> <p>Transient Protection: Per EN 60947-5-2</p> <p>Shock: 30 g, 11 ms</p> <p>Vibration: 55 Hz, 1 mm Amplitude, in all 3 Planes</p> <p>Repeatability: ≤2% of Rated Operating Distance</p>	

We reserve the right to make technical alterations without prior notice.



Inductive Barrel Sensors | 18 mm

Threaded Metal Barrels with Terminal Chamber and AC/DC Outputs

Part Number/ ID Number	Features	Sensing Range (mm)	Output	Voltage	Switching Freq. (Hz)	Operating Current (mA)	Operating Temp. (°C)	Protection	Housing	Face	Power LED	Output LED	Dimension Drawings	Wiring Diagrams	Spec List
Bi5U-EG18SK-AP6X 1635400	Uprox	5	3-wire DC PNP	10-30 VDC	2500	≤200	-30 to +85	IP68	SS	PA 12	N/A	YE	A	2	A4
Bi5-G18SK-AN6X2 4642500		5	3-wire DC NPN	10-30 VDC	1000	≤200	-25 to +70	IP67	CPB	PA 12	GN	YE	A	1	A4
Bi5-G18SK-AP6X2 4642400		5	3-wire DC PNP	10-30 VDC	1000	≤200	-25 to +70	IP67	CPB	PA 12	GN	YE	A	2	A4
Bi5-G18SK-AZ3X2 4331400		5	2-wire AC/DC	20-250 VAC/10-300 VDC	20	≤500	-25 to +70	IP67	CPB	PA 12	GN	RD	B	3	A6
Ni10-G18SK-AN6X2 4642700		10	3-wire DC NPN	10-30 VDC	1000	≤200	-25 to +70	IP67	CPB	PA 12	GN	YE	C	1	A4
Ni10-G18SK-AP6X2 4642600		10	3-wire DC PNP	10-30 VDC	1000	≤200	-25 to +70	IP67	CPB	PA 12	GN	YE	C	2	A4
Ni10-G18SK-AZ3X2 4331500		10	2-wire AC/DC	20-250 VAC/10-300 VDC	20	≤400/300	-25 to +70	IP67	CPB	PA 12	GN	RD	D	3	A6


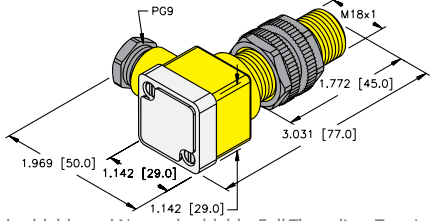
We reserve the right to make technical alterations without prior notice.

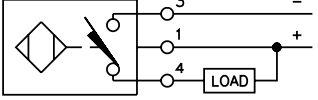
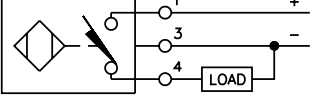
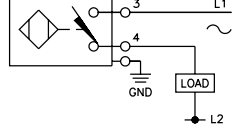
Inductive Barrel Sensors



Inductive Barrel Sensors | 18 mm

Threaded Metal Barrels with Terminal Chamber and AC/DC Outputs

Housing Style	Dimension Drawings
	<p data-bbox="808 310 824 331">A</p>  <p data-bbox="850 525 1455 546">18 mm - Embeddable and Nonembeddable, Full Threading, Terminal Chamber</p>

Wiring Diagrams/Mating Cordsets		
<p data-bbox="103 611 120 632">1</p> 	<p data-bbox="542 611 558 632">2</p> 	<p data-bbox="1029 611 1045 632">3</p> 

A4	3 and 4-wire DC - (AN, RN, AP, RP, VN, VP)	
<p data-bbox="402 821 539 842">Ripple:</p> <p data-bbox="217 848 643 869">Differential Travel (Hysteresis):</p> <p data-bbox="133 877 545 898">Voltage Drop Across Conducting Sensor:</p> <p data-bbox="110 907 766 928">Trigger Current for Short Circuit Protection:</p> <p data-bbox="233 995 561 1016">Off-State (Leakage) Current:</p> <p data-bbox="321 1024 701 1075">No-Load Current:</p>	<p data-bbox="889 821 1221 842">Time Delay Before Availability:</p> <p data-bbox="997 848 1286 869">Power-On Effect:</p> <p data-bbox="915 877 1269 898">Reverse Polarity Protection:</p> <p data-bbox="954 907 1269 928">Wire-Break Protection:</p> <p data-bbox="971 936 1302 957">Transient Protection:</p> <p data-bbox="987 966 1227 987">Temperature Drift:</p> <p data-bbox="1078 995 1253 1016">Shock:</p> <p data-bbox="1055 1024 1458 1045">Vibration:</p> <p data-bbox="1023 1054 1425 1075">Repeatability:</p>	<p data-bbox="1156 821 1221 842">≤8 ms</p> <p data-bbox="997 848 1286 869">Per IEC 947-5-2</p> <p data-bbox="997 877 1269 898">Incorporated</p> <p data-bbox="997 907 1269 928">Incorporated</p> <p data-bbox="997 936 1302 957">Per EN 60947-5-2</p> <p data-bbox="987 966 1227 987">≤±10%</p> <p data-bbox="1078 995 1253 1016">30 g, 11 ms</p> <p data-bbox="1055 1024 1458 1045">55 Hz, 1 mm Amplitude in all 3 Planes</p> <p data-bbox="1023 1054 1425 1075">≤2% of Rated Operating Distance</p>
A6	2-wire AC/DC w/o Short-Circuit Protection - (AZ, RZ, FZ)	
<p data-bbox="331 1125 597 1146">Line Frequency:</p> <p data-bbox="217 1155 643 1176">Differential Travel (Hysteresis):</p> <p data-bbox="133 1184 545 1205">Voltage Drop Across Conducting Sensor:</p> <p data-bbox="250 1213 711 1264">Continuous Load Current:</p> <p data-bbox="233 1272 561 1293">Off-State (Leakage) Current:</p> <p data-bbox="266 1302 561 1323">Minimum Load Current:</p>	<p data-bbox="1013 1125 1360 1146">Inrush Current:</p> <p data-bbox="997 1155 1442 1205">Power-On Effect:</p> <p data-bbox="971 1213 1302 1234">Transient Protection:</p> <p data-bbox="1078 1272 1253 1293">Shock:</p> <p data-bbox="1055 1302 1458 1323">Vibration:</p> <p data-bbox="1023 1331 1425 1352">Repeatability:</p>	<p data-bbox="1013 1125 1360 1146">≤8 A (≤10ms max. 5 Hz)</p> <p data-bbox="997 1155 1442 1205">≤1 A (≤10 ms max. 5 Hz) 12 mm ≤0.2 A (≤10 ms max. 0.2 Hz) 8 mm</p> <p data-bbox="997 1213 1286 1234">Per IEC 947-5-2</p> <p data-bbox="997 1243 1302 1264">Per EN 60947-5-2</p> <p data-bbox="1078 1272 1253 1293">30 g, 11 ms</p> <p data-bbox="1055 1302 1458 1323">55 Hz, 1 mm Amplitude, in all 3 Planes</p> <p data-bbox="1023 1331 1425 1352">≤2% of Rated Operating Distance</p>

We reserve the right to make technical alterations without prior notice.



Inductive Barrel Sensors | 18 mm

Threaded Metal Barrels with Terminal Chamber and AC/DC Outputs

Part Number/ ID Number	Features	Sensing Range (mm)	Output	Voltage	Switching Freq. (Hz)	Operating Current (mA)	Operating Temp. (°C)	Protection	Housing	Face	Power LED	Output LED	Dimension Drawings	Wiring Diagrams	Spec List
Bi5U-P18SK-AP6X 1635700	Uprox	5	3-wire DC PNP	10-30 VDC	3000	≤200	-30 to +85	IP68	PA 12	PA 12	N/A	YE	A	2	A4
Bi5-P18SK-AP6X2 4656900		5	3-wire DC PNP	10-30 VDC	1000	≤200	-25 to +70	IP67	PA 12	PA 12	GN	YE	A	2	A4
Bi5-P18SK-AZ3X2 4351400		5	2-wire AC/DC	20-250 VAC/10-300 VDC	20	≤400/300	-25 to +70	IP67	PA 12	PA 12	GN	RD	A	3	A6
Ni12U-P18SK-AP6X 1645700	Uprox	12	3-wire DC PNP	10-30 VDC	2000	≤200	-30 to +85	IP68	PA 12	PA 12	N/A	YE	A	2	A4
Ni10-P18SK-AZ3X2 4351500		10	2-wire AC/DC	20-250 VAC/10-300 VDC	20	≤400/300	-25 to +70	IP67	PA 12	PA 12	GN	RD	A	3	A6
Ni10-P18SK-AN6X2 4657200		10	3-wire DC NPN	10-30 VDC	1000	≤200	-25 to +70	IP67	PA 12	PA 12	GN	YE	A	1	A4
Ni10-P18SK-AP6X2 4657100		10	3-wire DC PNP	10-30 VDC	1000	≤200	-25 to +70	IP67	PA 12	PA 12	GN	YE	A	2	A4


We reserve the right to make technical alterations without prior notice.

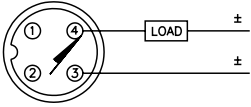
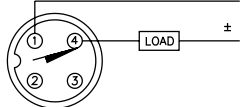
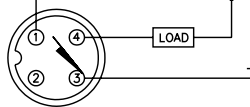
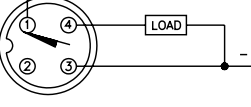
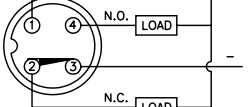
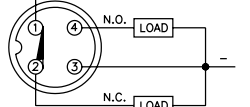
Inductive Barrel Sensors



Inductive Barrel Sensors | 30 mm

Embeddable Threaded Metal Barrels with Connector and DC Outputs

Housing Style	Dimension Drawings
	<p>A</p> <p>30 mm - Embeddable, M12 Eurofast Connection</p>

Wiring Diagrams/Mating Cordsets		
<p>1</p>  <p>Mating Cordset: RK 4.2T-*</p>	<p>2</p>  <p>Mating Cordset: RK 4.23T-*</p>	<p>3</p>  <p>Mating Cordset: RK 4T-*, RKC 4T-*/S1587</p>
<p>4</p>  <p>Mating Cordset: RK 4T-*, RKC 4T-*/S1587</p>	<p>5</p>  <p>Mating Cordset: RK 4.4T-*</p>	<p>6</p>  <p>Mating Cordset: RK 4.4T-*</p>

A2	2-wire DC - (AD, RD, AG)	
<p>Ripple: $\leq 10\%$</p> <p>Differential Travel (Hysteresis): 3-15% (5% typical)</p> <p>Voltage Drop Across Conducting Sensor: Non-polarized (AD) $< 5.0\text{ V}$ Polarized (AG) $\leq 4.2\text{ V}$</p> <p>Trigger Current for Short Circuit Protection: $\geq 120\text{ mA}$</p> <p>Minimum Load Current: $\geq 3.0\text{ mA}$</p>	<p>Off-State (Leakage) Current: $\leq 0.8\text{ mA}$</p> <p>Power-On Effect: Per IEC 947-5-2</p> <p>Transient Protection: Per EN 60947-5-2</p> <p>Shock: 30 g, 11 ms</p> <p>Vibration: 55 Hz, 1 mm Amplitude in all 3 Planes</p> <p>Repeatability: $\leq 2\%$ of Rated Operating Distance</p>	
A4	3 and 4-wire DC - (AN, RN, AP, RP, VN, VP)	
<p>Ripple: $\leq 10\%$</p> <p>Differential Travel (Hysteresis): 3-15% (5% typical)</p> <p>Voltage Drop Across Conducting Sensor: $\leq 1.8\text{ V}$</p> <p>Trigger Current for Short Circuit Protection: $\geq 220\text{ mA}$ on 200 mA Load Current $\geq 170\text{ mA}$ on 150 mA Load Current $\geq 120\text{ mA}$ on 100 mA Load Current</p> <p>Off-State (Leakage) Current: $\leq 0.1\text{ mA}$</p> <p>No-Load Current: $\leq 15\text{ mA}$ (Ferrite, Uprox) $\leq 20\text{ mA}$ (Uprox+, Uprox3)</p>	<p>Time Delay Before Availability: $\leq 8\text{ ms}$</p> <p>Power-On Effect: Per IEC 947-5-2</p> <p>Reverse Polarity Protection: Incorporated</p> <p>Wire-Break Protection: Incorporated</p> <p>Transient Protection: Per EN 60947-5-2</p> <p>Temperature Drift: $\leq \pm 10\%$</p> <p>Shock: 30 g, 11 ms</p> <p>Vibration: 55 Hz, 1 mm Amplitude in all 3 Planes</p> <p>Repeatability: $\leq 2\%$ of Rated Operating Distance</p>	

We reserve the right to make technical alterations without prior notice.



Inductive Barrel Sensors | 30 mm

Embeddable Threaded Metal Barrels with Connector and DC Outputs

Part Number/ ID Number	Features	Sensing Range (mm)	Output	Voltage	Switching Freq. (Hz)	Operating Current (mA)	Operating Temp. (°C)	Protection	Housing	Face	Power LED	Output LED	Dimension Drawings	Wiring Diagrams	Spec List
Bi20U-M30-AN6X-H1141 1644888	Uprox3	20	3-wire DC NPN	10-30 VDC	1000	≤200	-25 to +70	IP68	CPB	LCP	N/A	YE	A	3	A4
Bi20U-M30-AP6X-H1141 1644880	Uprox3	20	3-wire DC PNP	10-30 VDC	1000	≤200	-25 to +70	IP68	CPB	LCP	N/A	YE	A	4	A4
Bi15U-M30-AN6X-H1141 1636736	Uprox+	15	3-wire DC NPN	10-30 VDC	1000	≤200	-30 to +85	IP68	CPB	LCP	N/A	YE	A	3	A4
Bi15U-M30-AP6X-H1141 1636732	Uprox+	15	3-wire DC PNP	10-30 VDC	1000	≤200	-30 to +85	IP68	CPB	LCP	N/A	YE	A	4	A4
Bi15U-EM30-AP6X-H1141 1636733	Uprox+	15	3-wire DC PNP	10-30 VDC	1000	≤200	-30 to +85	IP68	SS	LCP	N/A	YE	A	4	A4
Bi15-M30-AN6X-H1141 4618600	Extended Range	15	3-wire DC NPN	10-30 VDC	300	≤200	-25 to +70	IP67	CPB	PA 12	N/A	YE	A	3	A4
Bi15-EM30H-AN6X-H1141 4618692	Ext. Range, Stoneface	15	3-wire DC NPN	10-30 VDC	300	≤200	-25 to +70	IP67	SS	SF	N/A	YE	A	3	A4
Bi15-M30-AP6X-H1141 46185	Extended Range	15	3-wire DC PNP	10-30 VDC	300	≤200	-25 to +70	IP67	CPB	PA 12	N/A	YE	A	4	A4
Bi15-EM30H-AP6X-H1141 4618592	Ext. Range, Stoneface	15	3-wire DC PNP	10-30 VDC	300	≤200	-25 to +70	IP67	SS	SF	N/A	YE	A	4	A4
Bi15-EM30-AP6X-H1141/S1589 4618593	Weldguard	15	3-wire DC PNP	10-30 VDC	300	≤200	-25 to +70	IP67	SS	WG	N/A	YE	A	4	A4
Bi15-M30-VN4X-H1141 4570711	Ext. Range, Comp. Outputs	15	4-wire DC NPN	10-65 VDC	500	≤200	-25 to +70	IP67	CPB	PA 12	N/A	YE	A	5	A4
Bi15-M30-VP4X-H1141 4570710	Ext. Range, Comp. Outputs	15	4-wire DC PNP	10-65 VDC	300	≤200	-25 to +70	IP67	CPB	PA 12	N/A	YE	A	6	A4
Bi12-M30-AD4X-H1141 4417041	Extended Range	12	2-wire DC	10-65 VDC	500	≤100	-25 to +70	IP67	CPB	PA 12	N/A	YE	A	1	A2
Bi10U-M30-AD4X-H1144 4405072	Uprox	10	2-wire DC	10-65 VDC	10	≤100	-25 to +70	IP68	CPB	LCP	N/A	YE	A	2	A2
Bi10U-M30-AN6X-H1141 1636150	Uprox	10	3-wire DC NPN	10-30 VDC	1000	≤200	-30 to +85	IP67	CPB	PBT	N/A	YE	A	3	A4
Bi10U-EM30-AN6X-H1141 1636350	Uprox	10	3-wire DC NPN	10-30 VDC	1000	≤200	-30 to +85	IP68	SS	PBT	N/A	YE	A	3	A4
Bi10U-M30-AP6X-H1141 1636140	Uprox	10	3-wire DC PNP	10-30 VDC	1000	≤200	-30 to +85	IP67	CPB	PBT	N/A	YE	A	4	A4
Bi10U-M30-AP6X2-H1141 1636145	Uprox	10	3-wire DC PNP	10-30 VDC	1000	≤200	-30 to +85	IP67	CPB	PBT	GN	YE	A	4	A4
Bi10U-EM30-AP6X-H1141 1636340	Uprox	10	3-wire DC PNP	10-30 VDC	2000	≤200	-30 to +85	IP68	SS	PBT	N/A	YE	A	4	A4
Bi10U-M30-VP4X-H1141 1582253	Uprox, Comp. Outputs	10	4-wire DC PNP	10-65 VDC	1000	≤200	-30 to +85	IP67	CPB	PBT	N/A	YE	A	6	A4
Bi10-M30-AD4X-H1141 44175		10	2-wire DC	10-65 VDC	500	≤100	-25 to +70	IP67	CPB	PA 12	N/A	YE	A	1	A2
Bi10-M30-AN6X-H1141 46176		10	3-wire DC NPN	10-30 VDC	500	≤200	-25 to +70	IP67	CPB	PA 12	N/A	YE	A	3	A4
Bi10-M30-AP6X-H1141 46175		10	3-wire DC PNP	10-30 VDC	500	≤200	-25 to +70	IP67	CPB	PA 12	N/A	YE	A	4	A4
Bi10-M30-VN4X-H1141 15716	Comp. Outputs	10	4-wire DC NPN	10-65 VDC	500	≤200	-25 to +70	IP67	CPB	PA 12	N/A	YE	A	5	A4
Bi10-M30-VP4X-H1141 15616	Comp. Outputs	10	4-wire DC PNP	10-65 VDC	500	≤200	-25 to +70	IP67	CPB	PA 12	N/A	YE	A	6	A4


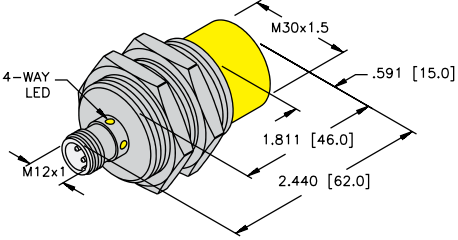
We reserve the right to make technical alterations without prior notice.

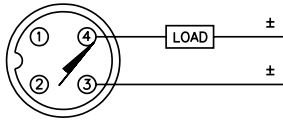
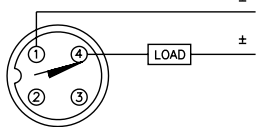
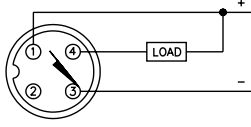
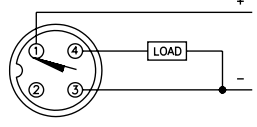
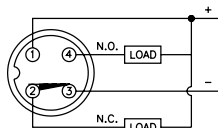
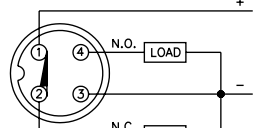
Inductive Barrel Sensors



Inductive Barrel Sensors | 30 mm

Nonembeddable Threaded Metal Barrels with Connector and DC Outputs

Housing Style	Dimension Drawings
	<p>A</p>  <p>30 mm - Nonembeddable, M12 Eurofast Connection</p>

Wiring Diagrams/Mating Cordsets	
<p>1</p>  <p>Mating Cordset: RK 4.2T-*</p>	<p>2</p>  <p>Mating Cordset: RK 4.23T-*</p>
<p>3</p>  <p>Mating Cordset: RK 4T-*; RKC 4T-*/S1587</p>	<p>4</p>  <p>Mating Cordset: RK 4T-*; RKC 4T-*/S1587</p>
<p>5</p>  <p>Mating Cordset: RK 4.4T-*</p>	<p>6</p>  <p>Mating Cordset: RK 4.4T-*</p>

A2	2-wire DC - (AD, RD, AG)	
<p>Ripple: $\leq 10\%$</p> <p>Differential Travel (Hysteresis): 3-15% (5% typical)</p> <p>Voltage Drop Across Conducting Sensor: Non-polarized (AD) $< 5.0\text{ V}$</p> <p>Trigger Current for Short Circuit Protection: $\geq 120\text{ mA}$</p> <p>Minimum Load Current: $\geq 3.0\text{ mA}$</p>	<p>Off-State (Leakage) Current: $\leq 0.8\text{ mA}$</p> <p>Power-On Effect: Per IEC 947-5-2</p> <p>Transient Protection: Per EN 60947-5-2</p> <p>Shock: 30 g, 11 ms</p> <p>Vibration: 55 Hz, 1 mm Amplitude in all 3 Planes</p> <p>Repeatability: $\leq 2\%$ of Rated Operating Distance</p>	
A4	3 and 4-wire DC - (AN, RN, AP, RP, VN, VP)	
<p>Ripple: $\leq 10\%$</p> <p>Differential Travel (Hysteresis): 3-15% (5% typical)</p> <p>Voltage Drop Across Conducting Sensor: $\leq 1.8\text{ V}$</p> <p>Trigger Current for Short Circuit Protection: $\geq 220\text{ mA}$ on 200 mA Load Current</p> <p>$\geq 170\text{ mA}$ on 150 mA Load Current</p> <p>$\geq 120\text{ mA}$ on 100 mA Load Current</p> <p>Off-State (Leakage) Current: $\leq 0.1\text{ mA}$</p> <p>No-Load Current: $\leq 15\text{ mA}$ (Ferrite, Uprox)</p> <p>$\leq 20\text{ mA}$ (Uprox+, Uprox3)</p>	<p>Time Delay Before Availability: $\leq 8\text{ ms}$</p> <p>Power-On Effect: Per IEC 947-5-2</p> <p>Reverse Polarity Protection: Incorporated</p> <p>Wire-Break Protection: Incorporated</p> <p>Transient Protection: Per EN 60947-5-2</p> <p>Temperature Drift: $\leq \pm 10\%$</p> <p>Shock: 30 g, 11 ms</p> <p>Vibration: 55 Hz, 1 mm Amplitude in all 3 Planes</p> <p>Repeatability: $\leq 2\%$ of Rated Operating Distance</p>	

We reserve the right to make technical alterations without prior notice.



Inductive Barrel Sensors | 30 mm

Nonembeddable Threaded Metal Barrels with Connector and DC Outputs

Part Number/ ID Number	Features	Sensing Range (mm)	Output	Voltage	Switching Freq. (Hz)	Operating Current (mA)	Operating Temp. (°C)	Protection	Housing	Face	Power LED	Output LED	Dimension Drawings	Wiring Diagrams	Spec List
Ni30U-M30-AN6X-H1141 1644635	Uprox+	30	3-wire DC NPN	10-30 VDC	1000	≤200	-30 to +85	IP68	CPB	LCP	N/A	YE	A	3	A4
Ni30U-EM30-AN6X-H1141 1644636	Uprox+	30	3-wire DC NPN	10-30 VDC	1000	≤200	-30 to +85	IP68	SS	LCP	N/A	YE	A	3	A4
Ni30U-M30-AP6X-H1141 1644631	Uprox+	30	3-wire DC PNP	10-30 VDC	1000	≤200	-30 to +85	IP68	CPB	LCP	N/A	YE	A	4	A4
Ni30U-EM30-AP6X-H1141 1644632	Uprox+	30	3-wire DC PNP	10-30 VDC	1000	≤200	-30 to +85	IP68	SS	LCP	N/A	YE	A	4	A4
Ni20U-M30-AN6X-H1141 1646150	Uprox	20	3-wire DC NPN	10-30 VDC	1500	≤200	-30 to +85	IP67	CPB	PBT	N/A	YE	A	3	A4
Ni20U-M30-AN6X2-H1141 1646155	Uprox	20	3-wire DC NPN	10-30 VDC	1500	≤200	-30 to +85	IP67	CPB	PBT	GN	YE	A	3	A4
Ni20U-EM30-AN6X-H1141 1646350	Uprox	20	3-wire DC NPN	10-30 VDC	1500	≤200	-30 to +85	IP68	SS	PBT	N/A	YE	A	3	A4
Ni20U-EM30-AN6X2-H1141/S1589 1646191	Uprox, Weldguard	20	3-wire DC NPN	10-30 VDC	1500	≤200	-30 to +85	IP68	SS	WG	GN	YE	A	3	A4
Ni20U-M30-AP6X-H1141 1646140	Uprox	20	3-wire DC PNP	10-30 VDC	1500	≤200	-30 to +85	IP67	CPB	PBT	N/A	YE	A	4	A4
Ni20U-EM30-AP6X-H1141 1646340	Uprox	20	3-wire DC PNP	10-30 VDC	1500	≤200	-30 to +85	IP68	SS	PBT	N/A	YE	A	4	A4
Ni20U-EM30-AP6X2-H1141 1646345	Uprox	20	3-wire DC PNP	10-30 VDC	1500	≤200	-30 to +85	IP68	SS	PBT	GN	YE	A	4	A4
Ni20U-EM30-AP6X2-H1141/S1589 1646490	Uprox, Weldguard	20	3-wire DC PNP	10-30 VDC	1500	≤200	-30 to +85	IP68	SS	WG	GN	YE	A	4	A4
Ni20U-M30-VP4X-H1141 1582457	Uprox	20	4-wire DC PNP	10-65 VDC	1000	≤200	-30 to +85	IP67	CPB	PBT	N/A	YE	A	6	A4
Ni20-M30-AD4X-H1141 4466141	Extended Range	20	2-wire DC	10-65 VDC	200	≤100	-25 to +70	IP67	CPB	PA 12	N/A	YE	A	1	A2
Ni20-M30-AD4X-H1144 4466192	Extended Range	20	2-wire DC	10-65 VDC	200	≤100	-25 to +70	IP67	CPB	PA 12	N/A	YE	A	2	A2
Ni20-M30-AN6X-H1141 4670515	Extended Range	20	3-wire DC NPN	10-30 VDC	1500	≤200	-25 to +70	IP67	CPB	PA 12	N/A	YE	A	3	A4
Ni20-M30-AP6X-H1141 4670510	Extended Range	20	3-wire DC PNP	10-30 VDC	500	≤200	-25 to +70	IP67	CPB	PA 12	N/A	YE	A	4	A4
Ni20-M30-VN4X-H1141 4590606	Ext. Range, Comp. Outputs	20	4-wire DC NPN	10-65 VDC	500	≤200	-25 to +70	IP67	CPB	PA 12	N/A	YE	A	5	A4
Ni20-M30-VP4X-H1141 4590607	Ext. Range, Comp. Outputs	20	4-wire DC PNP	10-65 VDC	500	≤200	-25 to +70	IP67	CPB	PA 12	N/A	YE	A	6	A4
Ni15-M30-AD4X-H1141 44177		15	2-wire DC	10-65 VDC	200	≤100	-25 to +70	IP67	CPB	PA 12	N/A	YE	A	1	A2
Ni15-M30-AN6X-H1141 46178		15	3-wire DC NPN	10-30 VDC	500	≤200	-25 to +70	IP67	CPB	PA 12	N/A	YE	A	3	A4
Ni15-M30-AP6X-H1141 46177		15	3-wire DC PNP	10-30 VDC	500	≤200	-25 to +70	IP67	CPB	PA 12	N/A	YE	A	4	A4
Ni15-M30-VN4X-H1141 1571510	Comp. Outputs	15	4-wire DC NPN	10-65 VDC	500	≤200	-25 to +70	IP67	CPB	PA 12	N/A	YE	A	5	A4
Ni15-M30-VP4X-H1141 15617	Comp. Outputs	15	4-wire DC PNP	10-65 VDC	500	≤200	-25 to +70	IP67	CPB	PA 12	N/A	YE	A	6	A4


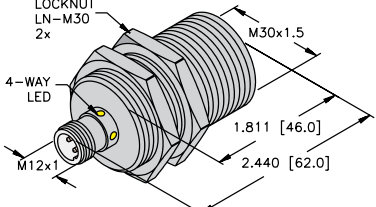
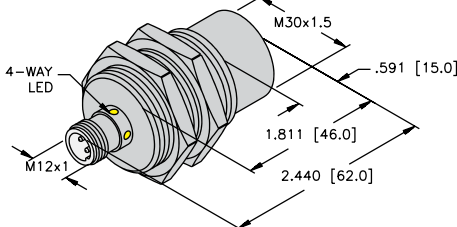
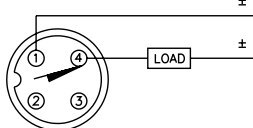
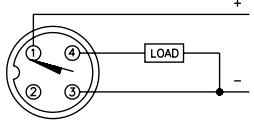
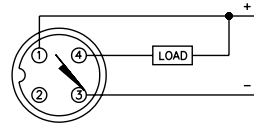
We reserve the right to make technical alterations without prior notice.

Inductive Barrel Sensors



Inductive Barrel Sensors | 30 mm

Threaded PTFE Coated Metal Barrels with Connector and DC Outputs

Housing Style	Dimension Drawings	
	<p>A</p>  <p>30 mm - Embeddable, M12 Eurofast Connection, PTFE Coated</p>	
<p>B</p>  <p>30 mm - Nonembeddable, M12 Eurofast Connection, PTFE Coated</p>		
Wiring Diagrams/Mating Cordsets		
<p>1</p>  <p>Mating Cordset: RK 4.23T-*</p>	<p>2</p>  <p>Mating Cordset: RK 4T-*, RKC 4T-*/S1587</p>	<p>3</p>  <p>Mating Cordset: RK 4T-*, RKC 4T-*/S1587</p>
A2 2-wire DC - (AD, RD, AG)		
<p>Ripple: $\leq 10\%$</p> <p>Differential Travel (Hysteresis): 3-15% (5% typical)</p> <p>Voltage Drop Across Conducting Sensor: Non-polarized (AD) $< 5.0\text{ V}$ Polarized (AG) $\leq 4.2\text{ V}$</p> <p>Trigger Current for Short Circuit Protection: $\geq 120\text{ mA}$</p> <p>Minimum Load Current: $\geq 3.0\text{ mA}$</p>	<p>Off-State (Leakage) Current: $\leq 0.8\text{ mA}$</p> <p>Power-On Effect: Per IEC 947-5-2</p> <p>Transient Protection: Per EN 60947-5-2</p> <p>Shock: 30 g, 11 ms</p> <p>Vibration: 55 Hz, 1 mm Amplitude in all 3 Planes</p> <p>Repeatability: $\leq 2\%$ of Rated Operating Distance</p>	
A4 3 and 4-wire DC - (AN, RN, AP, RP, VN, VP)		
<p>Ripple: $\leq 10\%$</p> <p>Differential Travel (Hysteresis): 3-15% (5% typical)</p> <p>Voltage Drop Across Conducting Sensor: $\leq 1.8\text{ V}$</p> <p>Trigger Current for Short Circuit Protection: $\geq 220\text{ mA}$ on 200 mA Load Current $\geq 170\text{ mA}$ on 150 mA Load Current $\geq 120\text{ mA}$ on 100 mA Load Current</p> <p>Off-State (Leakage) Current: $\leq 0.1\text{ mA}$</p> <p>No-Load Current: $\leq 15\text{ mA}$ (Ferrite, Uprox) $\leq 20\text{ mA}$ (Uprox+, Uprox3)</p>	<p>Time Delay Before Availability: $\leq 8\text{ ms}$</p> <p>Power-On Effect: Per IEC 947-5-2</p> <p>Reverse Polarity Protection: Incorporated</p> <p>Wire-Break Protection: Incorporated</p> <p>Transient Protection: Per EN 60947-5-2</p> <p>Temperature Drift: $\leq \pm 10\%$</p> <p>Shock: 30 g, 11 ms</p> <p>Vibration: 55 Hz, 1 mm Amplitude in all 3 Planes</p> <p>Repeatability: $\leq 2\%$ of Rated Operating Distance</p>	

We reserve the right to make technical alterations without prior notice.



Inductive Barrel Sensors | 30 mm

Threaded PTFE Coated Metal Barrels with Connector and DC Outputs

Part Number/ ID Number	Features	Sensing Range (mm)	Output	Voltage	Switching Freq. (Hz)	Operating Current (mA)	Operating Temp. (°C)	Protection	Housing	Face	Power LED	Output LED	Dimension Drawings	Wiring Diagrams	Spec List
Bi20U-MT30-AN6X-H1141 1644889	Uprox3, PTFE	20	3-wire DC NPN	10-30 VDC	1000	≤200	-25 to +70	IP68	TC	TC	N/A	YE	A	3	A4
Bi20U-MT30-AP6X-H1141 1644881	Uprox3, PTFE	20	3-wire DC PNP	10-30 VDC	1000	≤200	-25 to +70	IP68	TC	TC	N/A	YE	A	2	A4
Bi15U-MT30-AP6X-H1141 1636734	Uprox+, PTFE	15	3-wire DC PNP	10-30 VDC	1000	≤200	-30 to +85	IP68	TC	TC	N/A	YE	A	2	A4
Bi15U-MT30-AP6X2-H1141 1644741	Uprox+	15	3-wire DC PNP	10-30 VDC	1000	≤200	-30 to +85	IP68	TC	TC	GN	YE	A	2	A4
Bi12-MT30H-AD4X-H1144 4417095	PTFE, Stoneface	12	2-wire DC	10-65 VDC	500	≤100	-25 to +70	IP67	TC	SF	N/A	YE	A	1	A2
Bi10U-MT30-AN6X-H1141 1636250	Uprox	10	3-wire DC NPN	10-30 VDC	1000	≤200	-30 to +85	IP67	TC	TC	N/A	YE	A	3	A4
Bi10U-MT30-AP6X-H1141 1636240	Uprox, PTFE	10	3-wire DC PNP	10-30 VDC	1000	≤200	-30 to +85	IP67	TC	TC	N/A	YE	A	2	A4
Bi10U-MT30-AP6X2-H1141 1636245	Uprox, PTFE	10	3-wire DC PNP	10-30 VDC	1000	≤200	-30 to +85	IP67	TC	TC	GN	YE	A	2	A4
Bi10U-MT30H-AP6X2-H1141 1636220	Uprox, PTFE, Stoneface	10	3-wire DC PNP	10-30 VDC	1000	≤200	-30 to +85	IP67	TC	SF	GN	YE	A	2	A4
Bi10U-MT30-AP6X2-H1141/S1589 1636291	Uprox, PTFE, Weldguard	10	3-wire DC PNP	10-30 VDC	1000	≤200	-30 to +85	IP67	TC	WG	GN	YE	A	2	A4
Ni30U-MT30-AN6X-H1141 1644637	Uprox+, PTFE	30	3-wire DC NPN	10-30 VDC	1000	≤200	-30 to +85	IP68	TC	TC	N/A	YE	B	3	A4
Ni30U-MT30-AP6X-H1141 1646633	Uprox+, PTFE	30	3-wire DC PNP	10-30 VDC	1000	≤200	-30 to +85	IP68	TC	TC	N/A	YE	B	2	A4
Ni30U-MT30-AP6X2-H1141 1646635	Uprox+, PTFE	30	3-wire DC PNP	10-30 VDC	1000	≤200	-30 to +85	IP68	TC	TC	GN	YE	B	2	A4
Ni30U-MT30-AP6X-H1141/S1589 16466331	Uprox+, PTFE, Weldguard	30	3-wire DC PNP	10-30 VDC	1000	≤200	-30 to +85	IP68	TC	WG	N/A	YE	B	2	A4
Ni30U-MT30-AP6X2-H1141/S1589 16466351	Uprox+, PTFE, Weldguard	30	3-wire DC PNP	10-30 VDC	1000	≤200	-30 to +85	IP68	TC	WG	GN	YE	B	2	A4
Ni20U-MT30-AP6X-H1141 1646240	Uprox, PTFE	20	3-wire DC PNP	10-30 VDC	1000	≤200	-30 to +85	IP67	TC	TC	N/A	YE	B	2	A4
Ni20U-MT30-AP6X2-H1141 1646245	Uprox, PTFE	20	3-wire DC PNP	10-30 VDC	1000	≤200	-30 to +85	IP67	TC	TC	GN	YE	B	2	A4
Ni20U-MT30-AP6X2-H1141/S1589 1646291	Uprox, Weldguard	20	3-wire DC PNP	10-30 VDC	1000	≤200	-30 to +85	IP67	TC	WG	GN	YE	B	2	A4
Ni20-MT30-AN6X-H1141/S1589 4670589	PTFE, Weldguard	20	3-wire DC NPN	10-30 VDC	500	≤200	-25 to +70	IP67	TC	WG	N/A	YE	B	3	A4
Ni15U-MT30-AD4X-H1144 4405077	Uprox, PTFE	15	2-wire DC	10-65 VDC	10	≤100	-25 to +70	IP68	TC	TC	GN	YE	B	1	A2


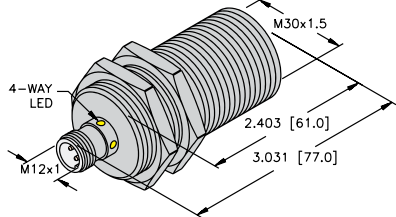
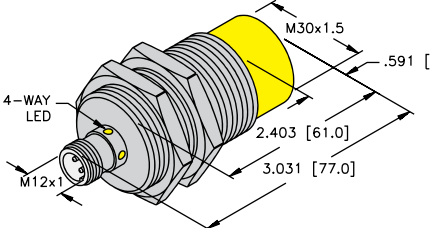
We reserve the right to make technical alterations without prior notice.

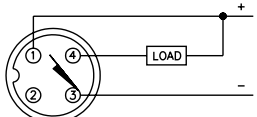
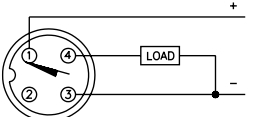
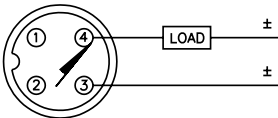
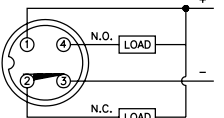
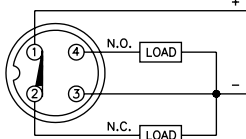
Inductive Barrel Sensors



Inductive Barrel Sensors | 30 mm

Threaded Metal Barrels with Connector and DC Outputs

Housing Style	Dimension Drawings
	<p>A</p>  <p>30 mm - Embeddable, M12 Eurofast Connection, Extended Barrel Length</p>
<p>B</p>  <p>30 mm - Nonembeddable, M12 Eurofast Connection, Extended Barrel Length</p>	

Wiring Diagrams/Mating Cordsets	
<p>1</p>  <p>Mating Cordset: RK 4T-*</p>	<p>2</p>  <p>Mating Cordset: RK 4.23T-*</p>
<p>3</p>  <p>Mating Cordset: RK 4.2T-*</p>	<p>4</p>  <p>Mating Cordset: RK 4.4T-*</p>
<p>5</p>  <p>Mating Cordset: RK 4.4T-*</p>	

A2 2-wire DC - (AD, RD, AG)	
<p>Ripple: ≤10%</p> <p>Differential Travel (Hysteresis): 3-15% (5% typical)</p> <p>Voltage Drop Across Conducting Sensor: Non-polarized (AD) <5.0 V Polarized (AG) ≤4.2 V</p> <p>Trigger Current for Short Circuit Protection: ≥120 mA</p> <p>Minimum Load Current: ≥3.0 mA</p>	<p>Off-State (Leakage) Current: ≤0.8 mA</p> <p>Power-On Effect: Per IEC 947-5-2</p> <p>Transient Protection: Per EN 60947-5-2</p> <p>Shock: 30 g, 11 ms</p> <p>Vibration: 55 Hz, 1 mm Amplitude in all 3 Planes</p> <p>Repeatability: ≤2% of Rated Operating Distance</p>
A4 3 and 4-wire DC - (AN, RN, AP, RP, VN, VP)	
<p>Ripple: ≤10%</p> <p>Differential Travel (Hysteresis): 3-15% (5% typical)</p> <p>Voltage Drop Across Conducting Sensor: ≤1.8 V</p> <p>Trigger Current for Short Circuit Protection: ≥220 mA on 200 mA Load Current ≥170 mA on 150 mA Load Current ≥120 mA on 100 mA Load Current</p> <p>Off-State (Leakage) Current: ≤0.1 mA</p> <p>No-Load Current: ≤15 mA (Ferrite, Uprox) ≤20 mA (Uprox+, Uprox3)</p>	<p>Time Delay Before Availability: ≤8 ms</p> <p>Power-On Effect: Per IEC 947-5-2</p> <p>Reverse Polarity Protection: Incorporated</p> <p>Wire-Break Protection: Incorporated</p> <p>Transient Protection: Per EN 60947-5-2</p> <p>Temperature Drift: ≤±10%</p> <p>Shock: 30 g, 11 ms</p> <p>Vibration: 55 Hz, 1 mm Amplitude in all 3 Planes</p> <p>Repeatability: ≤2% of Rated Operating Distance</p>

We reserve the right to make technical alterations without prior notice.



Inductive Barrel Sensors | 30 mm

Threaded Metal Barrels with Connector and DC Outputs


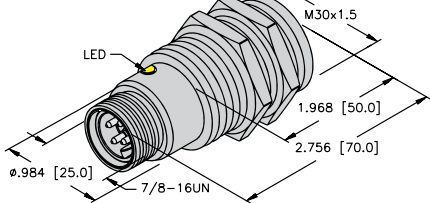
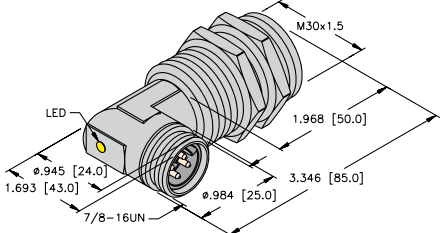
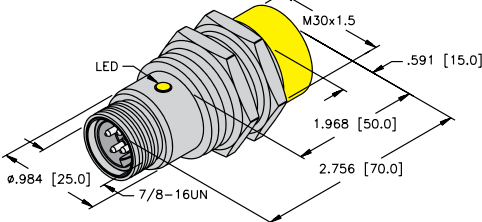
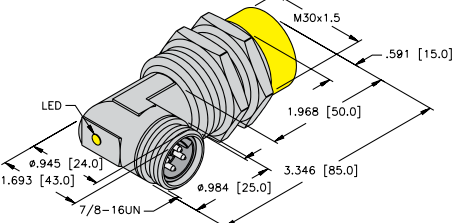
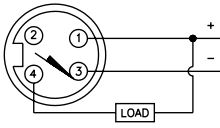
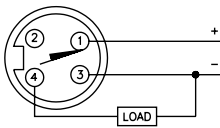
Part Number/ ID Number	Features	Sensing Range (mm)	Output	Voltage	Switching Freq. (Hz)	Operating Current (mA)	Operating Temp. (°C)	Protection	Housing	Face	Power LED	Output LED	Dimension Drawings	Wiring Diagrams	Spec List
Bi15-M30E-AN6X-H1141 4618690	Extended Range	15	3-wire DC NPN	10-30 VDC	300	≤200	-25 to +70	IP67	CPB	PA 12	N/A	YE	A	1	A4
Bi15-M30E-AP6X-H1141 4618590	Extended Range	15	3-wire DC PNP	10-30 VDC	300	≤200	-25 to +70	IP67	CPB	PA 12	N/A	YE	A	2	A4
Bi10U-EM30E-AP6X-H1141 1636322	Uprox	10	3-wire DC PNP	10-30 VDC	2000	≤200	-30 to +85	IP68	SS	PBT	N/A	YE	A	2	A4
Bi10U-EM30HE-AP6X2-H1141 1636415	Uprox, Stoneface	10	3-wire DC PNP	10-30 VDC	2000	≤200	-30 to +85	IP68	SS	SF	GN	YE	A	2	A4
Bi10-M30E-AD4X-H1141 4417501		10	2-wire DC	10-65 VDC	500	≤100	-25 to +70	IP67	CPB	PA 12	N/A	YE	A	3	A2
Ni15-M30E-AD4X-H1141 4417790		15	2-wire DC	10-65 VDC	200	≤100	-25 to +70	IP67	CPB	PA 12	N/A	YE	B	3	A2
Ni15-M30E-VN4X-H1141 1571590	Comp. Outputs	15	4-wire DC NPN	10-65 VDC	500	≤200	-25 to +70	IP67	CPB	PA 12	N/A	YE	B	4	A4
Ni15-M30E-VP4X-H1141 1561790	Comp. Outputs	15	4-wire DC PNP	10-65 VDC	500	≤200	-25 to +70	IP67	CPB	PA 12	N/A	YE	B	5	A4

We reserve the right to make technical alterations without prior notice.

Inductive Barrel Sensors

Inductive Barrel Sensors | 30 mm

Threaded Metal Barrels with Connector and DC Outputs

Housing Style	Dimension Drawings
	<p>A</p>  <p>30 mm - Embeddable, 7/8" Minifast Connection</p>
<p>B</p>  <p>30 mm - Embeddable, 7/8" Minifast Right Angle Connection</p>	<p>C</p>  <p>30 mm - Nonembeddable, 7/8" Minifast Connection</p>
<p>D</p>  <p>30 mm - Nonembeddable, Right Angle 7/8" Minifast Connection</p>	
Wiring Diagrams/Mating Cordsets	
<p>1</p>  <p>Mating Cordset: RKM 40-*M</p>	<p>2</p>  <p>Mating Cordset: RKM 40-*M</p>
A4 3 and 4-wire DC - (AN, RN, AP, RP, VN, VP)	
<p>Ripple: $\leq 10\%$</p> <p>Differential Travel (Hysteresis): 3-15% (5% typical)</p> <p>Voltage Drop Across Conducting Sensor: $\leq 1.8\text{ V}$</p> <p>Trigger Current for Short Circuit Protection: $\geq 220\text{ mA}$ on 200 mA Load Current $\geq 170\text{ mA}$ on 150 mA Load Current $\geq 120\text{ mA}$ on 100 mA Load Current</p> <p>Off-State (Leakage) Current: $\leq 0.1\text{ mA}$</p> <p>No-Load Current: $\leq 15\text{ mA}$ (Ferrite, Uprox) $\leq 20\text{ mA}$ (Uprox+, Uprox3)</p>	<p>Time Delay Before Availability: $\leq 8\text{ ms}$</p> <p>Power-On Effect: Per IEC 947-5-2</p> <p>Reverse Polarity Protection: Incorporated</p> <p>Wire-Break Protection: Incorporated</p> <p>Transient Protection: Per EN 60947-5-2</p> <p>Temperature Drift: $\leq \pm 10\%$</p> <p>Shock: 30 g, 11 ms</p> <p>Vibration: 55 Hz, 1 mm Amplitude in all 3 Planes</p> <p>Repeatability: $\leq 2\%$ of Rated Operating Distance</p>

We reserve the right to make technical alterations without prior notice.



Inductive Barrel Sensors | 30 mm

Threaded Metal Barrels with Connector and DC Outputs

Part Number/ ID Number	Sensing Range (mm)	Output	Voltage	Switching Freq. (Hz)	Operating Current (mA)	Operating Temp. (°C)	Protection	Housing	Face	Power LED	Output LED	Dimension Drawings	Wiring Diagrams	Spec List
Bi10-G30-AN6X-B1141 46954	10	3-wire DC NPN	10-30 VDC	500	≤200	-25 to +70	IP67	CPB	PA 12	N/A	YE	A	1	A4
Bi10-G30-AP6X-B1141 46965	10	3-wire DC PNP	10-30 VDC	500	≤200	-25 to +70	IP67	CPB	PA 12	N/A	YE	A	2	A4
Bi10-G30-AN6X-B1441 46958	10	3-wire DC NPN	10-30 VDC	500	≤200	-25 to +70	IP67	CPB	PA 12	N/A	YE	B	1	A4
Bi10-G30-AP6X-B1441 46969	10	3-wire DC PNP	10-30 VDC	500	≤200	-25 to +70	IP67	CPB	PA 12	N/A	YE	B	2	A4
Ni15-G30-AN6X-B1141 46955	15	3-wire DC NPN	10-30 VDC	500	≤200	-25 to +70	IP67	CPB	PA 12	N/A	YE	C	1	A4
Ni15-G30-AP6X-B1141 46966	15	3-wire DC PNP	10-30 VDC	500	≤200	-25 to +70	IP67	CPB	PA 12	N/A	YE	C	2	A4
Ni15-G30-AN6X-B1441 4695590	15	3-wire DC NPN	10-30 VDC	500	≤200	-25 to +70	IP67	CPB	PA 12	N/A	YE	D	1	A4
Ni15-G30-AP6X-B1441 46970	15	3-wire DC PNP	10-30 VDC	500	≤200	-25 to +70	IP67	CPB	PA 12	N/A	YE	D	2	A4


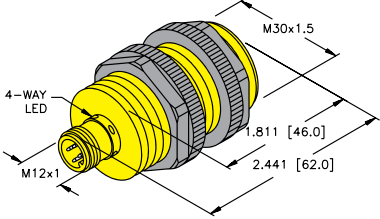
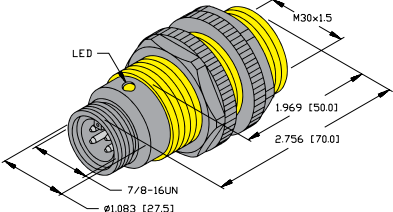
We reserve the right to make technical alterations without prior notice.

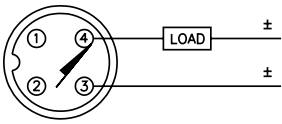
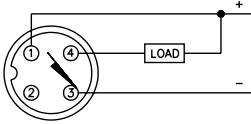
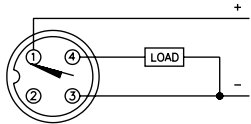
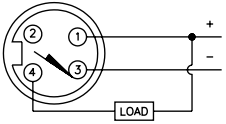
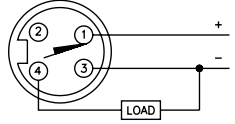
Inductive Barrel Sensors



Inductive Barrel Sensors | 30 mm

Threaded Plastic Barrels with Connector and DC Outputs

Housing Style	Dimension Drawings
	<p>A</p>  <p>30 mm - Embeddable/Nonembeddable, Partial Threading, M12 Eurofast Connection</p>
<p>B</p>  <p>30 mm - Embeddable/Nonembeddable, Full Threading, 7/8" Minifast Connection</p>	

Wiring Diagrams/Mating Cordsets		
<p>1</p>  <p>Mating Cordset: RKK 4.2T-*</p>	<p>2</p>  <p>Mating Cordset: RKK 4T-*</p>	<p>3</p>  <p>Mating Cordset: RKK 4T-*</p>
<p>4</p>  <p>Mating Cordset: RK 40-*M</p>	<p>5</p>  <p>Mating Cordset: RK 40-*M</p>	

A2 2-wire DC - (AD, RD, AG)	
<p>Ripple: $\leq 10\%$</p> <p>Differential Travel (Hysteresis): 3-15% (5% typical)</p> <p>Voltage Drop Across Conducting Sensor: Non-polarized (AD) $< 5.0\text{ V}$ Polarized (AG) $\leq 4.2\text{ V}$</p> <p>Trigger Current for Short Circuit Protection: $\geq 120\text{ mA}$</p> <p>Minimum Load Current: $\geq 3.0\text{ mA}$</p>	<p>Off-State (Leakage) Current: $\leq 0.8\text{ mA}$</p> <p>Power-On Effect: Per IEC 947-5-2</p> <p>Transient Protection: Per EN 60947-5-2</p> <p>Shock: 30 g, 11 ms</p> <p>Vibration: 55 Hz, 1 mm Amplitude in all 3 Planes</p> <p>Repeatability: $\leq 2\%$ of Rated Operating Distance</p>
A4 3 and 4-wire DC - (AN, RN, AP, RP, VN, VP)	
<p>Ripple: $\leq 10\%$</p> <p>Differential Travel (Hysteresis): 3-15% (5% typical)</p> <p>Voltage Drop Across Conducting Sensor: $\leq 1.8\text{ V}$</p> <p>Trigger Current for Short Circuit Protection: $\geq 220\text{ mA}$ on 200 mA Load Current $\geq 170\text{ mA}$ on 150 mA Load Current $\geq 120\text{ mA}$ on 100 mA Load Current</p> <p>Off-State (Leakage) Current: $\leq 0.1\text{ mA}$</p> <p>No-Load Current: $\leq 15\text{ mA}$ (Ferrite, Uprox) $\leq 20\text{ mA}$ (Uprox+, Uprox3)</p>	<p>Time Delay Before Availability: $\leq 8\text{ ms}$</p> <p>Power-On Effect: Per IEC 947-5-2</p> <p>Reverse Polarity Protection: Incorporated</p> <p>Wire-Break Protection: Incorporated</p> <p>Transient Protection: Per EN 60947-5-2</p> <p>Temperature Drift: $\leq \pm 10\%$</p> <p>Shock: 30 g, 11 ms</p> <p>Vibration: 55 Hz, 1 mm Amplitude in all 3 Planes</p> <p>Repeatability: $\leq 2\%$ of Rated Operating Distance</p>

We reserve the right to make technical alterations without prior notice.



Inductive Barrel Sensors | 30 mm

Threaded Plastic Barrels with Connector and DC Outputs


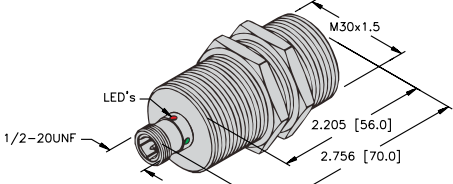
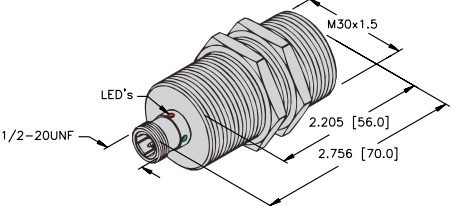
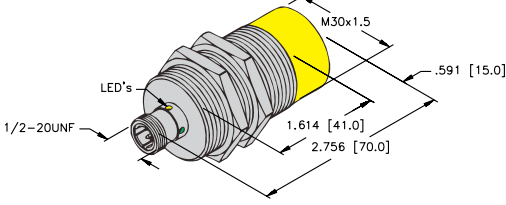
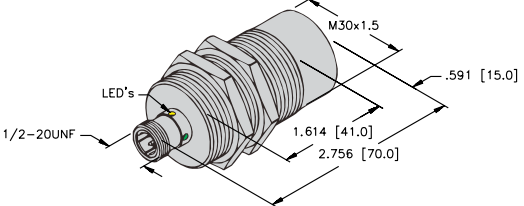
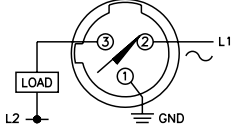
Part Number/ ID Number	Features	Sensing Range (mm)	Output	Voltage	Switching Freq. (Hz)	Operating Current (mA)	Operating Temp. (°C)	Protection	Housing	Face	Power LED	Output LED	Dimension Drawings	Wiring Diagrams	Spec List
Bi10U-S30-AN6X-H1141 1636620	Uprox	10	3-wire DC NPN	10-30 VDC	2000	≤200	-30 to +85	IP68	PA 12	PA 12	N/A	YE	A	2	A4
Bi10U-S30-AP6X-H1141 1636600	Uprox	10	3-wire DC PNP	10-30 VDC	2000	≤200	-30 to +85	IP68	PA 12	PA 12	N/A	YE	A	3	A4
Bi10-S30-AD4X-H1141 4458000		10	2-wire DC	10-65 VDC	500	≤100	-25 to +70	IP67	PA 12	PA 12	N/A	YE	A	1	A2
Bi10-S30-AN6X-H1141 46581		10	3-wire DC NPN	10-30 VDC	500	≤200	-25 to +70	IP67	PA 12	PA 12	N/A	YE	A	2	A4
Bi10-S30-AP6X-H1141 46580		10	3-wire DC PNP	10-30 VDC	500	≤200	-25 to +70	IP67	PA 12	PA 12	N/A	YE	A	3	A4
Bi10-P30-AN6X-B2141 46974		10	3-wire DC NPN	10-30 VDC	500	≤200	-25 to +70	IP67	PA 12	PA 12	N/A	YE	B	4	A4
Bi10-P30-AP6X-B2141 46975		10	3-wire DC PNP	10-30 VDC	500	≤200	-25 to +70	IP67	PA 12	PA 12	N/A	YE	B	5	A4
Ni20U-S30-AN6X-H1141 1646620	Uprox	20	3-wire DC NPN	10-30 VDC	1500	≤200	-30 to +85	IP68	PA 12	PA 12	N/A	YE	A	2	A4
Ni20U-S30-AP6X-H1141 1646600	Uprox	20	3-wire DC PNP	10-30 VDC	1500	≤200	-30 to +85	IP68	PA 12	PA 12	N/A	YE	A	3	A4
Ni15-S30-AD4X-H1141 44582		15	2-wire DC	10-65 VDC	200	≤100	-25 to +70	IP67	PA 12	PA 12	N/A	YE	A	1	A2
Ni15-S30-AN6X-H1141 46583		15	3-wire DC NPN	10-30 VDC	500	≤200	-25 to +70	IP67	PA 12	PA 12	N/A	YE	A	2	A4
Ni15-P30-AN6X-B2141 46976		15	3-wire DC NPN	10-30 VDC	500	≤200	-25 to +70	IP67	PA 12	PA 12	N/A	YE	B	4	A4
Ni15-S30-AP6X-H1141 46582		15	3-wire DC PNP	10-30 VDC	500	≤200	-25 to +70	IP67	PA 12	PA 12	N/A	YE	A	3	A4
Ni15-P30-AP6X-B2141 46977		15	3-wire DC PNP	10-30 VDC	500	≤200	-25 to +70	IP67	PA 12	PA 12	N/A	YE	B	5	A4

We reserve the right to make technical alterations without prior notice.

Inductive Barrel Sensors

Inductive Barrel Sensors | 30 mm

Threaded Metal Barrels with Connector and AC/DC Outputs

Housing Style	Dimension Drawings
	<p>A</p>  <p>30 mm - Embeddable, 1/2" Microfast Connection</p>
<p>B</p>  <p>30 mm - Embeddable, 1/2" Microfast Connection, PTFE Coated</p>	<p>C</p>  <p>30 mm - Nonembeddable, 1/2" Microfast Connection</p>
<p>D</p>  <p>30 mm - Nonembeddable, 1/2" Microfast Connection, PTFE Coated</p>	
Wiring Diagrams/Mating Cordsets	
<p>1</p>  <p>Mating Cordset: KB 3T-*, KBE 3T-*/S600</p>	
A5 2-wire AC/DC w/ Short-Circuit Protection - (ADZ, RDZ, FDZ, VDZ)	
<p>Line Frequency: $\geq 50 \dots \leq 60$ Hz</p> <p>Differential Travel (Hysteresis): 3-15% (5% typical)</p> <p>Voltage Drop Across Conducting Sensor: ≤ 6.0 V</p> <p>Trigger Current for Short Circuit Protection: AC: ≥ 440 mA; DC: ≥ 330 mA AC: ≥ 120 mA; DC: ≥ 120 mA</p> <p>Continuous Load Current: AC: ≤ 400 mA; DC: ≤ 300 mA AC: ≤ 100 mA; DC: ≤ 100 mA</p> <p>Off-State (Leakage) Current: ≤ 1.7 mA (AC) ≤ 1.5 mA (DC)</p>	<p>Minimum Load Current: ≥ 3.0 mA</p> <p>Inrush Current: ≤ 3 A (≤ 20 ms, max 5 Hz)</p> <p>Power-On Effect: Per IEC 947-5-2</p> <p>Transient Protection: Per EN 60947-5-2</p> <p>Shock: 30 g, 11 ms</p> <p>Vibration: 55 Hz, 1 mm Amplitude, in all 3 Planes</p> <p>Repeatability: $\leq 2\%$ of Rated Operating Distance</p>
A6 2-wire AC/DC w/o Short-Circuit Protection - (AZ, RZ, FZ)	
<p>Line Frequency: $\geq 50 \dots \leq 60$ Hz</p> <p>Differential Travel (Hysteresis): 3-15% (5% typical)</p> <p>Voltage Drop Across Conducting Sensor: ≤ 6.0 V</p> <p>Continuous Load Current: AC: ≤ 400 mA; DC: ≤ 300 mA AC: ≤ 100 mA; DC: ≤ 100 mA</p> <p>Off-State (Leakage) Current: ≤ 1.7 mA</p> <p>Minimum Load Current: ≥ 3.0 mA</p>	<p>Inrush Current: ≤ 8 A (≤ 10ms max. 5 Hz) ≤ 1 A (≤ 10 ms max. 5 Hz) 12 mm ≤ 0.2 A (≤ 10 ms max. 0.2 Hz) 8 mm</p> <p>Power-On Effect: Per IEC 947-5-2</p> <p>Transient Protection: Per EN 60947-5-2</p> <p>Shock: 30 g, 11 ms</p> <p>Vibration: 55 Hz, 1 mm Amplitude, in all 3 Planes</p> <p>Repeatability: $\leq 2\%$ of Rated Operating Distance</p>

We reserve the right to make technical alterations without prior notice.



Inductive Barrel Sensors | 30 mm

Threaded Metal Barrels with Connector and AC/DC Outputs


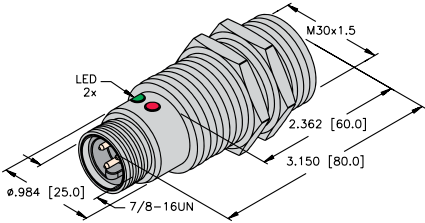
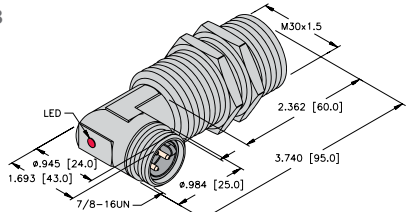
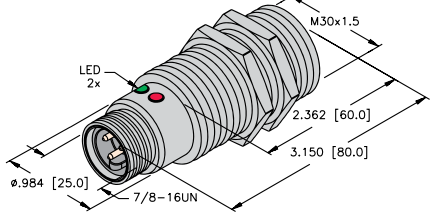
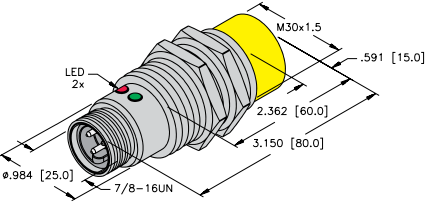
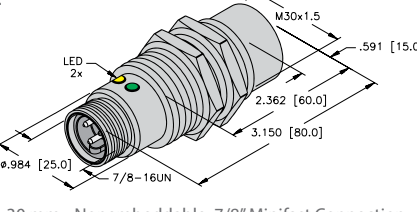
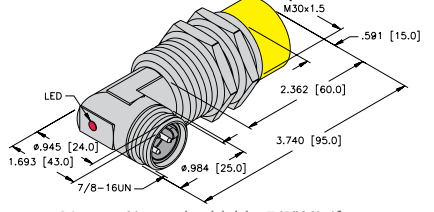
We reserve the right to make technical alterations without prior notice.

Part Number/ ID Number	Features	Sensing Range (mm)	Output	Voltage	Switching Freq. (Hz)	Operating Current (mA)	Operating Temp. (°C)	Protection	Housing	Face	Power LED	Output LED	Dimension Drawings	Wiring Diagrams	Spec List
Bi15-G30-ADZ30X2-B3131 4207201	Extended Range	15	2-wire AC/DC Short-Circuit Protected	20-250 VAC/10-300 VDC	20	≤400/300	-25 to +70	IP67	CPB	PA 12	GN	RD	A	1	A5
Bi15-EG30H-ADZ30X2-B3131 4207284	Ext. Range, Stoneface	15	2-wire AC/DC Short-Circuit Protected	20-250 VAC/10-300 VDC	20	≤400/300	-25 to +70	IP67	SS	SF	GN	RD	A	1	A5
Bi10U-G30-ADZ30X2-B3131 4281613	Uprox	10	2-wire AC/DC Short-Circuit Protected	20-250 VAC/10-300 VDC	10	≤400/300	-30 to +85	IP67	CPB	PBT	GN	YE	A	1	A5
Bi10U-GT30-ADZ30X2-B3131 4281623	Uprox, PTFE	10	2-wire AC/DC Short-Circuit Protected	20-250 VAC/10-300 VDC	10	≤400/300	-30 to +85	IP67	TC	TC	GN	YE	B	1	A5
Bi10-G30-ADZ30X2-B3131 T207591		10	2-wire AC/DC Short-Circuit Protected	20-250 VAC/10-300 VDC	20	≤400/300	-25 to +70	IP67	CPB	PA 12	GN	RD	A	1	A5
Bi10-GT30-ADZ30X2-B3131/S34 4256203	PTFE, WFI	10	2-wire AC/DC Short-Circuit Protected	20-250 VAC/10-300 VDC	20	≤400/300	-25 to +70	IP67	TC	TC	GN	RD	B	1	A5
Bi10-GT30H-ADZ30X2-B3131/S34 4256094	WFI, Stoneface	10	2-wire AC/DC Short-Circuit Protected	20-250 VAC/10-300 VDC	20	≤400/300	-25 to +70	IP67	TC	SF	GN	RD	B	1	A5
Bi10-G30-AZ3X-B3131 4372298		10	2-wire AC/DC	20-250 VAC/10-300 VDC	20	≤400/300	-25 to +70	IP67	CPB	PA 12	N/A	RD	A	1	A6
Ni20U-G30-ADZ30X2-B3131 4281813	Uprox	20	2-wire AC/DC Short-Circuit Protected	20-250 VAC/10-300 VDC	10	≤400/300	-30 to +85	IP67	CPB	PBT	GN	YE	C	1	A5
Ni20U-GT30-ADZ30X2-B3131 4281823	Uprox, PTFE	20	2-wire AC/DC Short-Circuit Protected	20-250 VAC/10-300 VDC	10	≤400/300	-30 to +85	IP67	TC	TC	GN	YE	D	1	A5
Ni20-G30-ADZ30X2-B3131 4205406	Extended Range	20	2-wire AC/DC Short-Circuit Protected	20-250 VAC/10-300 VDC	20	≤400/300	-25 to +70	IP67	CPB	PA 12	GN	RD	C	1	A5
Ni15-G30-AZ3X-B3131 1306090		15	2-wire AC/DC	20-250 VAC/10-300 VDC	20	≤400/300	-25 to +70	IP67	CPB	PA 12	N/A	RD	C	1	A6

Inductive Barrel Sensors

Inductive Barrel Sensors | 30 mm

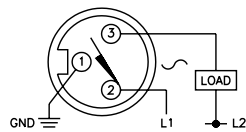
Threaded Metal Barrels with Connector and AC/DC Outputs

Housing Style	Dimension Drawings	
	<p>A</p>  <p>30 mm - Embeddable, 7/8" Minifast Connection</p>	<p>B</p>  <p>30 mm - Embeddable, 7/8" Minifast Right Angle Connection</p>
<p>C</p>  <p>30 mm - Embeddable, 7/8" Minifast Connection, PTFE Coated</p>	<p>D</p>  <p>30 mm - Nonembeddable, 7/8" Minifast Connection</p>	<p>E</p>  <p>30 mm - Nonembeddable, 7/8" Minifast Connection, PTFE Coated</p>
<p>F</p>  <p>30 mm - Nonembeddable, 7/8" Minifast Right Angle Connection</p>		

We reserve the right to make technical alterations without prior notice.

Wiring Diagrams/Mating Cordsets

1



Mating Cordset: RKM 30-*M; RKM 311-*M/S600

A5	2-wire AC/DC w/ Short-Circuit Protection - (ADZ, RDZ, FDZ, VDZ)	
<p>Line Frequency: $\geq 50... \leq 60$ Hz</p> <p>Differential Travel (Hysteresis): 3-15% (5% typical)</p> <p>Voltage Drop Across Conducting Sensor: ≤ 6.0 V</p> <p>Trigger Current for Short Circuit Protection: AC: ≥ 440 mA; DC: ≥ 330 mA</p> <p>Continuous Load Current: AC: ≤ 400 mA; DC: ≤ 300 mA</p> <p>Off-State (Leakage) Current: ≤ 1.7 mA (AC)</p> <p>≤ 1.5 mA (DC)</p>	<p>Minimum Load Current: ≥ 3.0 mA</p> <p>Inrush Current: ≤ 3 A (≤ 20 ms, max 5 Hz)</p> <p>Power-On Effect: Per IEC 947-5-2</p> <p>Transient Protection: Per EN 60947-5-2</p> <p>Shock: 30 g, 11 ms</p> <p>Vibration: 55 Hz, 1 mm Amplitude, in all 3 Planes</p> <p>Repeatability: $\leq 2\%$ of Rated Operating Distance</p>	
A6	2-wire AC/DC w/o Short-Circuit Protection - (AZ, RZ, FZ)	
<p>Line Frequency: $\geq 50... \leq 60$ Hz</p> <p>Differential Travel (Hysteresis): 3-15% (5% typical)</p> <p>Voltage Drop Across Conducting Sensor: ≤ 6.0 V</p> <p>Continuous Load Current: AC: ≤ 400 mA; DC: ≤ 300 mA</p> <p>Off-State (Leakage) Current: ≤ 1.7 mA</p> <p>Minimum Load Current: ≥ 3.0 mA</p>	<p>Inrush Current: ≤ 8 A (≤ 10ms max. 5 Hz)</p> <p>≤ 1 A (≤ 10 ms max. 5 Hz) 12 mm</p> <p>≤ 0.2 A (≤ 10 ms max. 0.2 Hz) 8 mm</p> <p>Power-On Effect: Per IEC 947-5-2</p> <p>Transient Protection: Per EN 60947-5-2</p> <p>Shock: 30 g, 11 ms</p> <p>Vibration: 55 Hz, 1 mm Amplitude, in all 3 Planes</p> <p>Repeatability: $\leq 2\%$ of Rated Operating Distance</p>	



Inductive Barrel Sensors | 30 mm

Threaded Metal Barrels with Connector and AC/DC Outputs


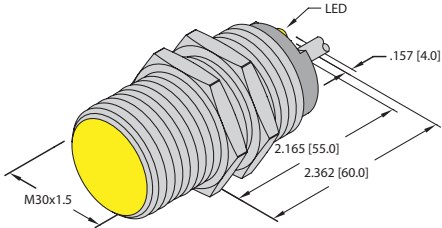
Part Number/ ID Number	Features	Sensing Range (mm)	Output	Voltage	Switching Freq. (Hz)	Operating Current (mA)	Operating Temp. (°C)	Protection	Housing	Face	Power LED	Output LED	Dimension Drawings	Wiring Diagrams	Spec List
Bi15-G30-ADZ30X2-B1131 4207202	Extended Range	15	2-wire AC/DC Short-Circuit Protected	20-250 VAC/10- 300 VDC	20	≤400/300	-25 to +70	IP67	CPB	PA 12	GN	RD	A	1	A5
Bi15-EG30H-ADZ30X2-B1131 4207292	Ext. Range, Stoneface	15	2-wire AC/DC Short-Circuit Protected	20-250 VAC/10- 300 VDC	20	≤400/300	-25 to +70	IP67	SS	SF	GN	RD	A	1	A5
Bi10U-G30-ADZ30X2-B1131 4281612	Uprox	10	2-wire AC/DC Short-Circuit Protected	20-250 VAC/10- 300 VDC	10	≤400/300	-30 to +85	IP67	CPB	PBT	GN	YE	A	1	A5
Bi10-GT30-ADZ30X2-B1131/S34/S1589 4255280	PTFE, WFI, Weldguard	10	2-wire AC/DC Short-Circuit Protected	20-250 VAC/10- 300 VDC	20	≤400/300	-25 to +70	IP67	TC	WG	GN	RD	C	1	A5
Bi10-G30-ADZ30X2-B1131 42075		10	2-wire AC/DC Short-Circuit Protected	20-250 VAC/10- 300 VDC	20	≤400/300	-25 to +70	IP67	CPB	PA 12	GN	RD	A	1	A5
Bi10-GT30-ADZ30X2-B1131/S34 4256200	PTFE, WFI	10	2-wire AC/DC Short-Circuit Protected	20-250 VAC/10- 300 VDC	20	≤400/300	-25 to +70	IP67	TC	TC	GN	RD	C	1	A5
Bi10-GT30-ADZ30X2-B1131 4256290	PTFE	10	2-wire AC/DC Short-Circuit Protected	20-250 VAC/10- 300 VDC	20	≤400/300	-25 to +70	IP67	TC	TC	GN	RD	C	1	A5
Bi10-G30-AZ3X-B1131 43722		10	2-wire AC/DC	20-250 VAC/10- 300 VDC	20	≤400/300	-25 to +70	IP67	CPB	PA 12	N/A	RD	A	1	A6
Bi10-G30-AZ3X-B1431 43726		10	2-wire AC/DC	20-250 VAC/10- 300 VDC	20	≤400/300	-25 to +70	IP67	CPB	PA 12	N/A	RD	B	1	A6
Bi10U-GT30-ADZ30X2-B1131 4281622	Uprox, PTFE	10	2-wire AC/DC Short-Circuit Protected	20-250 VAC/10- 300 VDC	10	≤400/300	-30 to +85	IP67	TC	TC	GN	YE	C	1	A5
Ni20U-G30-ADZ30X2-B1131 4281812	Uprox	20	2-wire AC/DC Short-Circuit Protected	20-250 VAC/10- 300 VDC	10	≤400/300	-30 to +85	IP67	CPB	PBT	GN	YE	D	1	A5
Ni20U-GT30-ADZ30X2-B1131 4281822	Uprox	20	2-wire AC/DC Short-Circuit Protected	20-250 VAC/10- 300 VDC	10	≤400/300	-30 to +85	IP67	TC	TC	GN	YE	E	1	A5
Ni20-G30-ADZ30X2-B1131 4205405	Extended Range	20	2-wire AC/DC Short-Circuit Protected	20-250 VAC/10- 300 VDC	20	≤400/300	-25 to +70	IP67	CPB	PA 12	GN	RD	D	1	A5
Ni15-G30-AZ3X-B1131 43723		15	2-wire AC/DC	20-250 VAC/10- 300 VDC	20	≤400/300	-25 to +70	IP67	CPB	PA 12	N/A	RD	D	1	A6
Ni15-G30-AZ3X-B1431 4372700		15	2-wire AC/DC	20-250 VAC/10- 300 VDC	20	≤400/300	-25 to +70	IP67	CPB	PA 12	N/A	RD	F	1	A6

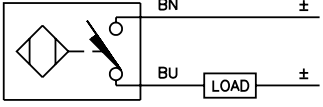
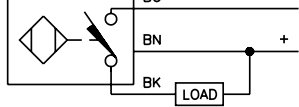
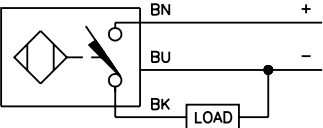
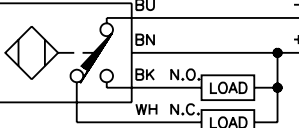
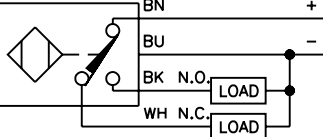
We reserve the right to make technical alterations without prior notice.

Inductive Barrel Sensors

Inductive Barrel Sensors | 30 mm

Embeddable Threaded Metal Barrels with Cable and DC Outputs

Housing Style	Dimension Drawings
	<p data-bbox="808 310 824 331">A</p>  <p data-bbox="1003 546 1299 567">30 mm - Embeddable, Potted-in Cable</p>

Wiring Diagrams/Mating Cordsets	
<p data-bbox="105 636 121 657">1</p> 	<p data-bbox="808 636 824 657">2</p> 
<p data-bbox="105 798 121 819">3</p> 	<p data-bbox="808 798 824 819">4</p> 
<p data-bbox="105 957 121 978">5</p> 	

A2	2-wire DC - (AD, RD, AG)	
<p data-bbox="402 1171 535 1192">Ripple: $\leq 10\%$</p> <p data-bbox="215 1199 638 1220">Differential Travel (Hysteresis): 3-15% (5% typical)</p> <p data-bbox="131 1226 698 1247">Voltage Drop Across Conducting Sensor: Non-polarized (AD) $< 5.0 V$</p> <p data-bbox="483 1253 657 1274">Polarized (AG) $\leq 4.2 V$</p> <p data-bbox="110 1281 560 1302">Trigger Current for Short Circuit Protection: $\geq 120 \text{ mA}$</p> <p data-bbox="264 1308 552 1329">Minimum Load Current: $\geq 3.0 \text{ mA}$</p>	<p data-bbox="914 1171 1234 1192">Off-State (Leakage) Current: $\leq 0.8 \text{ mA}$</p> <p data-bbox="1003 1199 1287 1220">Power-On Effect: Per IEC 947-5-2</p> <p data-bbox="971 1226 1307 1247">Transient Protection: Per EN 60947-5-2</p> <p data-bbox="1084 1253 1258 1274">Shock: 30 g, 11 ms</p> <p data-bbox="1060 1281 1469 1302">Vibration: 55 Hz, 1 mm Amplitude in all 3 Planes</p> <p data-bbox="1027 1308 1437 1329">Repeatability: $\leq 2\%$ of Rated Operating Distance</p>	
A4	3 and 4-wire DC - (AN, RN, AP, RP, VN, VP)	
<p data-bbox="402 1388 535 1409">Ripple: $\leq 10\%$</p> <p data-bbox="215 1415 638 1436">Differential Travel (Hysteresis): 3-15% (5% typical)</p> <p data-bbox="131 1442 535 1463">Voltage Drop Across Conducting Sensor: $\leq 1.8 V$</p> <p data-bbox="110 1470 763 1491">Trigger Current for Short Circuit Protection: $\geq 220 \text{ mA}$ on 200 mA Load Current</p> <p data-bbox="232 1497 763 1518">$\geq 170 \text{ mA}$ on 150 mA Load Current</p> <p data-bbox="232 1524 763 1545">$\geq 120 \text{ mA}$ on 100 mA Load Current</p> <p data-bbox="232 1560 552 1581">Off-State (Leakage) Current: $\leq 0.1 \text{ mA}$</p> <p data-bbox="321 1587 673 1608">No-Load Current: $\leq 15 \text{ mA}$ (Ferrite, Uprox)</p> <p data-bbox="483 1614 690 1635">$\leq 20 \text{ mA}$ (Uprox+, Uprox3)</p>	<p data-bbox="898 1388 1218 1409">Time Delay Before Availability: $\leq 8 \text{ ms}$</p> <p data-bbox="1003 1415 1287 1436">Power-On Effect: Per IEC 947-5-2</p> <p data-bbox="914 1442 1136 1463">Reverse Polarity Protection: Incorporated</p> <p data-bbox="963 1470 1274 1491">Wire-Break Protection: Incorporated</p> <p data-bbox="971 1497 1307 1518">Transient Protection: Per EN 60947-5-2</p> <p data-bbox="995 1524 1226 1545">Temperature Drift: $\leq \pm 10\%$</p> <p data-bbox="1084 1560 1258 1581">Shock: 30 g, 11 ms</p> <p data-bbox="1060 1587 1469 1608">Vibration: 55 Hz, 1 mm Amplitude in all 3 Planes</p> <p data-bbox="1027 1614 1437 1635">Repeatability: $\leq 2\%$ of Rated Operating Distance</p>	

We reserve the right to make technical alterations without prior notice.



Inductive Barrel Sensors | 30 mm

Embeddable Threaded Metal Barrels with Cable and DC Outputs

Part Number/ ID Number	Features	Sensing Range (mm)	Output	Voltage	Switching Freq. (Hz)	Operating Current (mA)	Operating Temp. (°C)	Protection	Housing	Face	Power LED	Output LED	Cable Length/Jacket	Dimension Drawings	Wiring Diagrams	Spec List
Bi20U-M30-AN6X 1644890	Uprox3	20	3-wire DC NPN	10-30 VDC	1000	≤200	-25 to +70	IP68	CPB	LCP	N/A	YE	2M/PVC	A	2	A4
Bi20U-M30-AP6X 1644886	Uprox3	20	3-wire DC PNP	10-30 VDC	1000	≤200	-25 to +70	IP68	CPB	LCP	N/A	YE	2M/PVC	A	3	A4
Bi15U-M30-AN6X 1636735	Uprox+	15	3-wire DC NPN	10-30 VDC	1000	≤200	-30 to +85	IP68	CPB	LCP	N/A	YE	2M/PVC	A	2	A4
Bi15U-M30-AP6X 1636731	Uprox+	15	3-wire DC PNP	10-30 VDC	1000	≤200	-30 to +85	IP68	CPB	LCP	N/A	YE	2M/PVC	A	3	A4
Bi15U-EM30-AP6X 1636741	Uprox+	15	3-wire DC PNP	10-30 VDC	1000	≤200	-30 to +85	IP68	SS	LCP	N/A	YE	2M/PVC	A	3	A4
Bi15-M30-AN6X 4618620	Extended Range	15	3-wire DC NPN	10-30 VDC	500	≤200	-25 to +70	IP67	CPB	PA 12	N/A	YE	2M/PVC	A	2	A4
Bi15-M30-AP6X 4618530	Extended Range	15	3-wire DC PNP	10-30 VDC	500	≤200	-25 to +70	IP67	CPB	PA 12	N/A	YE	2M/PVC	A	3	A4
Bi15-M30-VN4X 4570712	Ext. Range, Comp. Outputs	15	4-wire DC NPN	10-65 VDC	500	≤200	-25 to +70	IP67	CPB	PA 12	N/A	YE	2M/PVC	A	4	A4
Bi15-M30-VP4X 4570713	Ext. Range, Comp. Outputs	15	4-wire DC PNP	10-65 VDC	500	≤200	-25 to +70	IP67	CPB	PA 12	N/A	YE	2M/PVC	A	5	A4
Bi12-M30-AD4X 4417035	Extended Range	12	2-wire DC	10-65 VDC	400	≤100	-25 to +70	IP67	CPB	PA 12	N/A	YE	2M/PVC	A	1	A2
Bi10U-M30-AD4X 4405073	Uprox	10	2-wire DC	10-65 VDC	10	≤100	-30 to +85	IP68	TC	LCP	N/A	YE	2M/PVC	A	1	A2
Bi10U-M30-AN6X 1636120	Uprox	10	3-wire DC NPN	10-30 VDC	1000	≤200	-30 to +85	IP67	CPB	PBT	N/A	YE	2M/PVC	A	2	A4
Bi10U-EM30-AN6X 1636320	Uprox	10	3-wire DC NPN	10-30 VDC	2000	≤200	-30 to +85	IP68	SS	LCP	N/A	YE	2M/PVC	A	2	A4
Bi10U-M30-AP6X 1636100	Uprox	10	3-wire DC PNP	10-30 VDC	1000	≤200	-30 to +85	IP67	CPB	PBT	N/A	YE	2M/PVC	A	3	A4
Bi10U-EM30-AP6X 1636300	Uprox	10	3-wire DC PNP	10-30 VDC	2000	≤200	-30 to +85	IP68	SS	LCP	N/A	YE	2M/PVC	A	3	A4
Bi10-M30-AD4X 44170		10	2-wire DC	10-65 VDC	500	≤100	-25 to +70	IP67	CPB	PA 12	N/A	YE	2M/PVC	A	1	A2
Bi10-M30-VN4X 15714	Comp. Outputs	10	4-wire DC NPN	10-65 VDC	500	≤200	-25 to +70	IP67	CPB	PA 12	N/A	YE	2M/PVC	A	4	A4
Bi10-M30-VP4X 15614	Comp. Outputs	10	4-wire DC PNP	10-65 VDC	500	≤200	-25 to +70	IP67	CPB	PA 12	N/A	YE	2M/PVC	A	5	A4


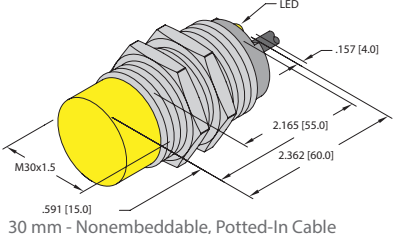
We reserve the right to make technical alterations without prior notice.

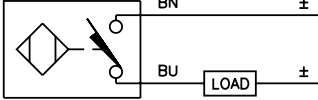
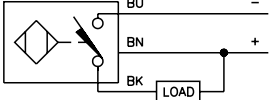
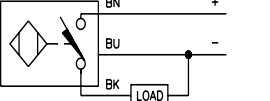
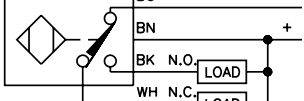
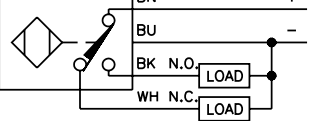
Inductive Barrel Sensors



Inductive Barrel Sensors | 30 mm

Nonembeddable Threaded Metal Barrels with Cable and DC Outputs

Housing Style	Dimension Drawings
	<p>A</p> 

Wiring Diagrams/Mating Cordsets	
<p>1</p> 	<p>2</p> 
<p>3</p> 	<p>4</p> 
<p>5</p> 	

A2	2-wire DC - (AD, RD, AG)	
<p>Ripple: $\leq 10\%$</p> <p>Differential Travel (Hysteresis): 3-15% (5% typical)</p> <p>Voltage Drop Across Conducting Sensor: Non-polarized (AD) $< 5.0\text{ V}$ Polarized (AG) $\leq 4.2\text{ V}$</p> <p>Trigger Current for Short Circuit Protection: $\geq 120\text{ mA}$</p> <p>Minimum Load Current: $\geq 3.0\text{ mA}$</p>	<p>Off-State (Leakage) Current: $\leq 0.8\text{ mA}$</p> <p>Power-On Effect: Per IEC 947-5-2</p> <p>Transient Protection: Per EN 60947-5-2</p> <p>Shock: 30 g, 11 ms</p> <p>Vibration: 55 Hz, 1 mm Amplitude in all 3 Planes</p> <p>Repeatability: $\leq 2\%$ of Rated Operating Distance</p>	
A4	3 and 4-wire DC - (AN, RN, AP, RP, VN, VP)	
<p>Ripple: $\leq 10\%$</p> <p>Differential Travel (Hysteresis): 3-15% (5% typical)</p> <p>Voltage Drop Across Conducting Sensor: $\leq 1.8\text{ V}$</p> <p>Trigger Current for Short Circuit Protection: $\geq 220\text{ mA}$ on 200 mA Load Current $\geq 170\text{ mA}$ on 150 mA Load Current $\geq 120\text{ mA}$ on 100 mA Load Current</p> <p>Off-State (Leakage) Current: $\leq 0.1\text{ mA}$</p> <p>No-Load Current: $\leq 15\text{ mA}$ (Ferrite, Uprox) $\leq 20\text{ mA}$ (Uprox+, Uprox3)</p>	<p>Time Delay Before Availability: $\leq 8\text{ ms}$</p> <p>Power-On Effect: Per IEC 947-5-2</p> <p>Reverse Polarity Protection: Incorporated</p> <p>Wire-Break Protection: Incorporated</p> <p>Transient Protection: Per EN 60947-5-2</p> <p>Temperature Drift: $\leq \pm 10\%$</p> <p>Shock: 30 g, 11 ms</p> <p>Vibration: 55 Hz, 1 mm Amplitude in all 3 Planes</p> <p>Repeatability: $\leq 2\%$ of Rated Operating Distance</p>	

We reserve the right to make technical alterations without prior notice.



Inductive Barrel Sensors | 30 mm

Nonembeddable Threaded Metal Barrels with Cable and DC Outputs

Part Number/ ID Number	Features	Sensing Range (mm)	Output	Voltage	Switching Freq. (Hz)	Operating Current (mA)	Operating Temp. (°C)	Protection	Housing	Face	Power LED	Output LED	Cable Length/Jacket	Dimension Drawings	Wiring Diagrams	Spec List
Ni30U-M30-AN6X 1644634	Uprox+	30	3-wire DC NPN	10-30 VDC	1000	≤200	-30 to +85	IP68	CPB	LCP	N/A	YE	2M/PVC	A	2	A4
Ni30U-M30-AP6X 1646630	Uprox+	30	3-wire DC PNP	10-30 VDC	1000	≤200	-30 to +85	IP68	CPB	LCP	N/A	YE	2M/PVC	A	3	A4
Ni20U-M30-AN6X 1646120	Uprox	20	3-wire DC NPN	10-30 VDC	1000	≤200	-30 to +85	IP67	CPB	PBT	N/A	YE	2M/PVC	A	2	A4
Ni20U-EM30-AN6X 1646320	Uprox	20	3-wire DC NPN	10-30 VDC	1500	≤200	-30 to +85	IP68	SS	PBT	N/A	YE	2M/PVC	A	2	A4
Ni20U-M30-AP6X 1646100	Uprox	20	3-wire DC PNP	10-30 VDC	1000	≤200	-30 to +85	IP67	CPB	PBT	N/A	YE	2M/PVC	A	3	A4
Ni20U-EM30-AP6X 1646300	Uprox	20	3-wire DC PNP	10-30 VDC	1500	≤200	-30 to +85	IP68	SS	PBT	N/A	YE	2M/PVC	A	3	A4
Ni20-M30-AD4X 4466135	Extended Range	20	2-wire DC	10-65 VDC	200	≤100	-25 to +70	IP67	CPB	PA 12	N/A	YE	2M/PVC	A	1	A2
Ni20-M30-AN6X 4670516	Extended Range	20	3-wire DC NPN	10-30 VDC	500	≤200	-25 to +70	IP67	CPB	PA 12	N/A	YE	2M/PVC	A	2	A4
Ni20-M30-AP6X 4670511	Extended Range	20	3-wire DC PNP	10-30 VDC	500	≤200	-25 to +70	IP67	CPB	PA 12	N/A	YE	2M/PVC	A	3	A4
Ni20-M30-VN4X 4590604	Extended Range	20	4-wire DC NPN	10-65 VDC	500	≤200	-25 to +70	IP67	CPB	PA 12	N/A	YE	2M/PVC	A	4	A4
Ni20-M30-VP4X 4590605	Extended Range	20	4-wire DC PNP	10-65 VDC	500	≤200	-25 to +70	IP67	CPB	PA 12	N/A	YE	2M/PVC	A	5	A4
Ni15-M30-AD4X 44172		15	2-wire DC	10-65 VDC	200	≤100	-25 to +70	IP67	CPB	PA 12	N/A	YE	2M/PVC	A	1	A2
Ni15-M30-VN4X 15715	Comp. Outputs	15	4-wire DC NPN	10-65 VDC	500	≤200	-25 to +70	IP67	CPB	PA 12	N/A	YE	2M/PVC	A	4	A4
Ni15-M30-VP4X 15615	Comp. Outputs	15	4-wire DC PNP	10-65 VDC	500	≤200	-25 to +70	IP67	CPB	PA 12	N/A	YE	2M/PVC	A	5	A4


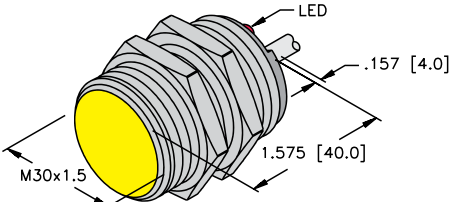
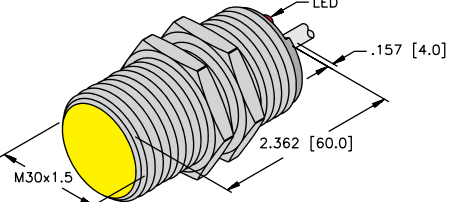
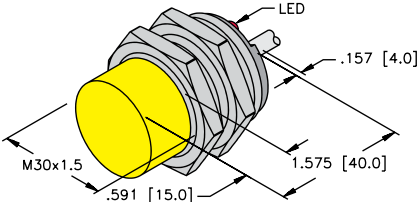
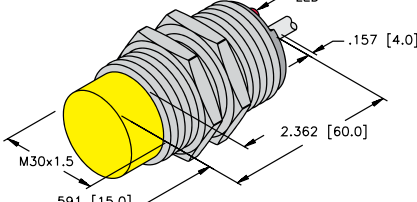
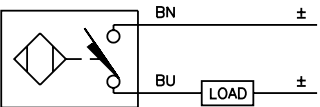
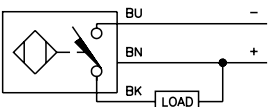
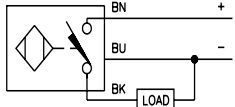
We reserve the right to make technical alterations without prior notice.

Inductive Barrel Sensors



Inductive Barrel Sensors | 30 mm

Threaded Metal Barrels with Cable and DC Outputs

Housing Style	Dimension Drawings	
	<p>A</p>  <p>30 mm - Embeddable, Potted-In Cable</p>	
<p>B</p>  <p>30 mm - Embeddable, Potted-In Cable</p>	<p>C</p>  <p>30 mm - Nonembeddable, Potted-In Cable</p>	
<p>D</p>  <p>30 mm - Nonembeddable, Potted-In Cable</p>		
Wiring Diagrams/Mating Cordsets		
<p>1</p> 	<p>2</p> 	<p>3</p> 
A2 2-wire DC - (AD, RD, AG)		
<p>Ripple: $\leq 10\%$</p> <p>Differential Travel (Hysteresis): 3-15% (5% typical)</p> <p>Voltage Drop Across Conducting Sensor: Non-polarized (AD) $< 5.0\text{ V}$ Polarized (AG) $\leq 4.2\text{ V}$</p> <p>Trigger Current for Short Circuit Protection: $\geq 120\text{ mA}$</p> <p>Minimum Load Current: $\geq 3.0\text{ mA}$</p>	<p>Off-State (Leakage) Current: $\leq 0.8\text{ mA}$</p> <p>Power-On Effect: Per IEC 947-5-2</p> <p>Transient Protection: Per EN 60947-5-2</p> <p>Shock: 30 g, 11 ms</p> <p>Vibration: 55 Hz, 1 mm Amplitude in all 3 Planes</p> <p>Repeatability: $\leq 2\%$ of Rated Operating Distance</p>	
A4 3 and 4-wire DC - (AN, RN, AP, RP, VN, VP)		
<p>Ripple: $\leq 10\%$</p> <p>Differential Travel (Hysteresis): 3-15% (5% typical)</p> <p>Voltage Drop Across Conducting Sensor: $\leq 1.8\text{ V}$</p> <p>Trigger Current for Short Circuit Protection: $\geq 220\text{ mA}$ on 200 mA Load Current $\geq 170\text{ mA}$ on 150 mA Load Current $\geq 120\text{ mA}$ on 100 mA Load Current</p> <p>Off-State (Leakage) Current: $\leq 0.1\text{ mA}$</p> <p>No-Load Current: $\leq 15\text{ mA}$ (Ferrite, Uprox) $\leq 20\text{ mA}$ (Uprox+, Uprox3)</p>	<p>Time Delay Before Availability: $\leq 8\text{ ms}$</p> <p>Power-On Effect: Per IEC 947-5-2</p> <p>Reverse Polarity Protection: Incorporated</p> <p>Wire-Break Protection: Incorporated</p> <p>Transient Protection: Per EN 60947-5-2</p> <p>Temperature Drift: $\leq \pm 10\%$</p> <p>Shock: 30 g, 11 ms</p> <p>Vibration: 55 Hz, 1 mm Amplitude in all 3 Planes</p> <p>Repeatability: $\leq 2\%$ of Rated Operating Distance</p>	

We reserve the right to make technical alterations without prior notice.



Inductive Barrel Sensors | 30 mm

Threaded Metal Barrels with Cable and DC Outputs

Part Number/ ID Number	Features	Sensing Range (mm)	Output	Voltage	Switching Freq. (Hz)	Operating Current (mA)	Operating Temp. (°C)	Protection	Housing	Face	Power LED	Output LED	Cable Length/Jacket	Dimension Drawings	Wiring Diagrams	Spec List
Bi10-G30K-AD4X 4670695	Short Barrel	10	2-wire DC	10-65 VDC	500	≤100	-25 to +70	IP67	CPB	PA 12	N/A	YE	2M/PVC	A	1	A2
Bi10-G30K-AN6X 46716	Short Barrel	10	3-wire DC NPN	10-30 VDC	500	≤200	-25 to +70	IP67	CPB	PA 12	N/A	YE	2M/PVC	A	2	A4
Bi10-G30K-AP6X 46706	Short Barrel	10	3-wire DC PNP	10-30 VDC	500	≤200	-25 to +70	IP67	CPB	PA 12	N/A	YE	2M/PVC	A	3	A4
Bi15-G30K-AP6X 4207300	Short Barrel	15	3-wire DC PNP	10-30 VDC	500	≤200	-25 to +70	IP67	CPB	PA 12	N/A	YE	2M/PVC	A	3	A4
Bi10-G30-AN6X 4647500		10	3-wire DC NPN	10-30 VDC	500	≤200	-25 to +70	IP67	CPB	PA 12	N/A	YE	2M/PVC	B	2	A4
Bi10-G30-AN7X 1714800	TTL Compatible	10	3-wire DC NPN	10-30 VDC	500	≤200	-25 to +70	IP67	CPB	PA 12	N/A	YE	2M/PVC	B	2	A4
Bi10-G30-AP6X 4647400		10	3-wire DC PNP	10-30 VDC	500	≤200	-25 to +70	IP67	CPB	PA 12	N/A	YE	2M/PVC	B	3	A4
Ni30-G30K-AP6X 4670711	Short Barrel	30	3-wire DC PNP	10-30 VDC	500	≤200	-25 to +70	IP67	CPB	PA 12	N/A	YE	2M/PVC	C	3	A4
Ni15-G30-AN6X 46477		15	3-wire DC NPN	10-30 VDC	500	≤200	-25 to +70	IP67	CPB	PA 12	N/A	YE	2M/PVC	D	2	A4
Ni15-G30-AN7X 1714900		15	3-wire DC NPN	10-30 VDC	500	≤200	-25 to +70	IP67	CPB	PA 12	N/A	YE	2M/PVC	D	2	A4
Ni15-G30-AP6X 4647600		15	3-wire DC PNP	10-30 VDC	500	≤200	-25 to +70	IP67	CPB	PA 12	N/A	YE	2M/PVC	D	3	A4
Ni15-G30K-AN6X 46717	Short Barrel	15	3-wire DC NPN	10-30 VDC	500	≤200	-25 to +70	IP67	CPB	PA 12	N/A	YE	2M/PVC	C	2	A4
Ni15-G30K-AP6X 46707	Short Barrel	15	3-wire DC PNP	10-30 VDC	500	≤200	-25 to +70	IP67	CPB	PA 12	N/A	YE	2M/PVC	C	3	A4


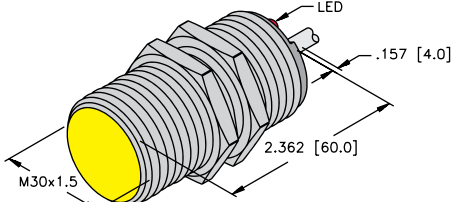
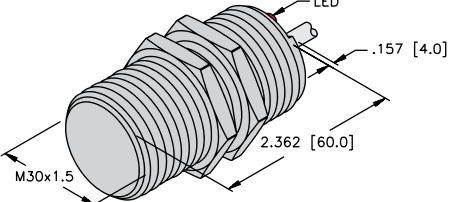
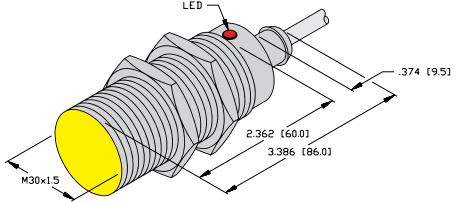
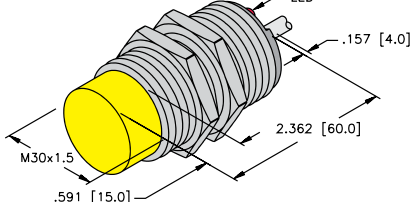
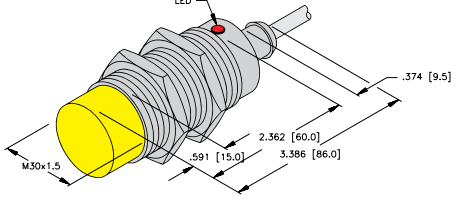
We reserve the right to make technical alterations without prior notice.

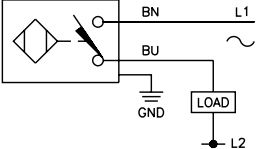
Inductive Barrel Sensors



Inductive Barrel Sensors | 30 mm

Threaded Metal Barrels with Cable and AC/DC Outputs

Housing Style	Dimension Drawings
	<p>A</p>  <p>30 mm - Embeddable, Potted-In Cable</p>
<p>B</p>  <p>30 mm - Embeddable, Potted-In Cable, PTFE Coated</p>	<p>C</p>  <p>30 mm - Embeddable, Potted-In Cable</p>
<p>D</p>  <p>30 mm - Nonembeddable, Potted-In Cable</p>	<p>E</p>  <p>30 mm - Nonembeddable, Potted-In Cable</p>

Wiring Diagrams/Mating Cordsets	
<p>1</p> 	

A5 2-wire AC/DC w/ Short-Circuit Protection - (ADZ, RDZ, FDZ, VDZ)	
<p>Line Frequency: $\geq 50... \leq 60$ Hz</p> <p>Differential Travel (Hysteresis): 3-15% (5% typical)</p> <p>Voltage Drop Across Conducting Sensor: ≤ 6.0 V</p> <p>Trigger Current for Short Circuit Protection: AC: ≥ 440 mA; DC: ≥ 330 mA</p> <p>Continuous Load Current: AC: ≤ 400 mA; DC: ≤ 300 mA</p> <p>Off-State (Leakage) Current: ≤ 1.7 mA (AC)</p> <p>≤ 1.5 mA (DC)</p>	<p>Minimum Load Current: ≥ 3.0 mA</p> <p>Inrush Current: ≤ 3 A (≤ 20 ms, max 5 Hz)</p> <p>Power-On Effect: Per IEC 947-5-2</p> <p>Transient Protection: Per EN 60947-5-2</p> <p>Shock: 30 g, 11 ms</p> <p>Vibration: 55 Hz, 1 mm Amplitude, in all 3 Planes</p> <p>Repeatability: $\leq 2\%$ of Rated Operating Distance</p>
A6 2-wire AC/DC w/o Short-Circuit Protection - (AZ, RZ, FZ)	
<p>Line Frequency: $\geq 50... \leq 60$ Hz</p> <p>Differential Travel (Hysteresis): 3-15% (5% typical)</p> <p>Voltage Drop Across Conducting Sensor: ≤ 6.0 V</p> <p>Continuous Load Current: AC: ≤ 400 mA; DC: ≤ 300 mA</p> <p>Off-State (Leakage) Current: ≤ 1.7 mA</p> <p>Minimum Load Current: ≥ 3.0 mA</p>	<p>Inrush Current: ≤ 8 A (≤ 10ms max. 5 Hz)</p> <p>≤ 1 A (≤ 10 ms max. 5 Hz) 12 mm</p> <p>≤ 0.2 A (≤ 10 ms max. 0.2 Hz) 8 mm</p> <p>Power-On Effect: Per IEC 947-5-2</p> <p>Transient Protection: Per EN 60947-5-2</p> <p>Shock: 30 g, 11 ms</p> <p>Vibration: 55 Hz, 1 mm Amplitude, in all 3 Planes</p> <p>Repeatability: $\leq 2\%$ of Rated Operating Distance</p>

We reserve the right to make technical alterations without prior notice.



Inductive Barrel Sensors | 30 mm

Threaded Metal Barrels with Cable and AC/DC Outputs


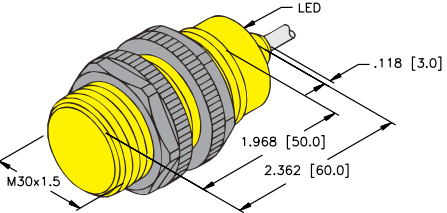
Part Number/ ID Number	Features	Sensing Range (mm)	Output	Voltage	Switching Freq. (Hz)	Operating Current (mA)	Operating Temp. (°C)	Protection	Housing	Face	Power LED	Output LED	Cable Length/Jacket	Dimension Drawings	Wiring Diagrams	Spec List
Bi10-EG30-ADZ30X2 4256095		10	2-wire AC/DC Short-circuit Protected	20-250 VAC/10-300 VDC	20	≤400/300	-25 to +70	IP67	SS	PA 12	GN	RD	2M/PVC	A	1	A5
Bi10-G30-ADZ30X2 42070		10	2-wire AC/DC Short-circuit Protected	20-250 VAC/10-300 VDC	20	≤400/300	-25 to +70	IP67	CPB	PA 12	GN	RD	2M/PVC	A	1	A5
Bi15-G30-ADZ30X2 4207200		15	2-wire AC/DC Short-circuit Protected	20-250 VAC/10-300 VDC	20	≤400/300	-25 to +70	IP67	CPB	PA 12	GN	RD	2M/PVC	A	1	A5
Bi10-EG30-AZ3X 4345699		10	2-wire AC/DC	20-250 VAC/10-300 VDC	20	≤400/300	-25 to +70	IP67	SS	PA 12	N/A	RD	2M/PVC	A	1	A6
Bi10-G30-AZ3X 4345400		10	2-wire AC/DC	20-250 VAC/10-300 VDC	20	≤400/300	-25 to +70	IP67	CPB	PA 12	N/A	RD	2M/PVC	A	1	A6
Bi10-GT30-ADZ30X2/S34 4256000	PTFE, WFI	10	2-wire AC/DC Short-Circuit Protected	20-250 VAC/10-300 VDC	20	≤400/300	-25 to +70	IP67	TC	TC	GN	RD	2M/PVC	B	1	A5
Bi10-M30T-AZ3X 43170		10	2-wire AC/DC	20-250 VAC/10-300 VDC	20	≤400/300	-25 to +70	IP67	CPB	PA 12	N/A	RD	2M/PVC	C	1	A6
Ni20-G30-ADZ30X2 4205404		20	2-wire AC/DC Short-Circuit Protected	20-250 VAC/10-300 VDC	20	≤400/300	-25 to +70	IP67	CPB	PA 12	GN	RD	2M/PVC	D	1	A5
Ni15-M30T-AZ3X 43171		15	2-wire AC/DC	20-250 VAC/10-300 VDC	20	≤400/300	-25 to +70	IP67	CPB	PA 12	N/A	RD	2M/PVC	E	1	A6

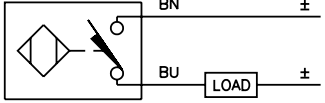
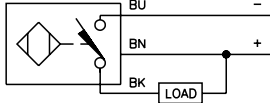
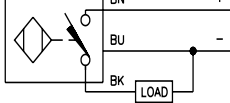
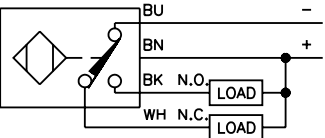
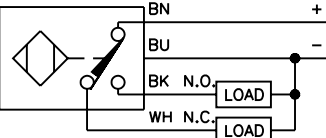
We reserve the right to make technical alterations without prior notice.

Inductive Barrel Sensors

Inductive Barrel Sensors | 30 mm

Threaded Plastic Barrels with Cable and DC Outputs

Housing Style	Dimension Drawings
	<p data-bbox="808 310 824 331">A</p>  <p data-bbox="865 548 1438 569">30 mm - Embeddable/Nonembeddable, Partial Threading, Potted-In Cable</p>

Wiring Diagrams/Mating Cordsets		
<p data-bbox="105 636 121 657">1</p> 	<p data-bbox="597 636 613 657">2</p> 	<p data-bbox="1052 636 1068 657">3</p> 
<p data-bbox="105 800 121 821">4</p> 	<p data-bbox="597 800 613 821">5</p> 	

A2	2-wire DC - (AD, RD, AG)	
<p data-bbox="418 1020 553 1041">Ripple: $\leq 10\%$</p> <p data-bbox="228 1052 651 1073">Differential Travel (Hysteresis): 3-15% (5% typical)</p> <p data-bbox="147 1083 716 1104">Voltage Drop Across Conducting Sensor: Non-polarized (AD) $< 5.0\text{ V}$</p> <p data-bbox="505 1115 675 1136">Polarized (AG) $\leq 4.2\text{ V}$</p> <p data-bbox="123 1146 578 1167">Trigger Current for Short Circuit Protection: $\geq 120\text{ mA}$</p> <p data-bbox="277 1178 578 1199">Minimum Load Current: $\geq 3.0\text{ mA}$</p>	<p data-bbox="911 1020 1235 1041">Off-State (Leakage) Current: $\leq 0.8\text{ mA}$</p> <p data-bbox="1000 1052 1292 1073">Power-On Effect: Per IEC 947-5-2</p> <p data-bbox="967 1083 1308 1104">Transient Protection: Per EN 60947-5-2</p> <p data-bbox="1081 1115 1260 1136">Shock: 30 g, 11 ms</p> <p data-bbox="1057 1146 1471 1167">Vibration: 55 Hz, 1 mm Amplitude in all 3 Planes</p> <p data-bbox="1024 1178 1438 1199">Repeatability: $\leq 2\%$ of Rated Operating Distance</p>	
A4	3 and 4-wire DC - (AN, RN, AP, RP, VN, VP)	
<p data-bbox="418 1241 553 1262">Ripple: $\leq 10\%$</p> <p data-bbox="228 1272 651 1293">Differential Travel (Hysteresis): 3-15% (5% typical)</p> <p data-bbox="147 1304 553 1325">Voltage Drop Across Conducting Sensor: $\leq 1.8\text{ V}$</p> <p data-bbox="123 1335 781 1409">Trigger Current for Short Circuit Protection: $\geq 220\text{ mA}$ on 200 mA Load Current $\geq 170\text{ mA}$ on 150 mA Load Current $\geq 120\text{ mA}$ on 100 mA Load Current</p> <p data-bbox="245 1419 578 1440">Off-State (Leakage) Current: $\leq 0.1\text{ mA}$</p> <p data-bbox="334 1451 691 1472">No-Load Current: $\leq 15\text{ mA}$ (Ferrite, Uprox) $\leq 20\text{ mA}$ (Uprox+, Uprox3)</p>	<p data-bbox="894 1241 1219 1262">Time Delay Before Availability: $\leq 8\text{ ms}$</p> <p data-bbox="1000 1272 1292 1293">Power-On Effect: Per IEC 947-5-2</p> <p data-bbox="919 1304 1276 1325">Reverse Polarity Protection: Incorporated</p> <p data-bbox="951 1335 1276 1356">Wire-Break Protection: Incorporated</p> <p data-bbox="967 1367 1308 1388">Transient Protection: Per EN 60947-5-2</p> <p data-bbox="984 1398 1227 1419">Temperature Drift: $\leq \pm 10\%$</p> <p data-bbox="1081 1430 1260 1451">Shock: 30 g, 11 ms</p> <p data-bbox="1057 1461 1471 1482">Vibration: 55 Hz, 1 mm Amplitude in all 3 Planes</p> <p data-bbox="1024 1493 1438 1514">Repeatability: $\leq 2\%$ of Rated Operating Distance</p>	

We reserve the right to make technical alterations without prior notice.



Inductive Barrel Sensors | 30 mm

Threaded Plastic Barrels with Cable and DC Outputs

Part Number/ ID Number	Features	Sensing Range (mm)	Output	Voltage	Switching Freq. (Hz)	Operating Current (mA)	Operating Temp. (°C)	Protection	Housing	Face	Power LED	Output LED	Cable Length/Jacket	Dimension Drawings	Wiring Diagrams	Spec List
Bi10U-S30-AN6X 1636520	Uprox	10	3-wire DC NPN	10-30 VDC	2000	≤200	-30 to +85	IP68	PA 12	PA 12	N/A	YE	2M/PVC	A	2	A4
Bi10U-S30-AP6X 1636500	Uprox	10	3-wire DC PNP	10-30 VDC	2000	≤200	-30 to +85	IP68	PA 12	PA 12	N/A	YE	2M/PVC	A	3	A4
Bi10-S30-AD4X 44590		10	2-wire DC	10-65 VDC	500	≤100	-25 to +70	IP67	PA 12	PA 12	N/A	YE	2M/PVC	A	1	A2
Bi10-S30-AN6X 46591		10	3-wire DC NPN	10-30 VDC	500	≤200	-25 to +70	IP67	PA 12	PA 12	N/A	YE	2M/PVC	A	2	A4
Bi10-S30-AN7X/S100 17777	TTL Compatible, High Temp. 100 °C	10	3-wire DC NPN	10-30 VDC	500	≤200	-25 to +100	IP67	PA 12	IRPA	N/A	YE	2M/PVC	A	2	A4
Bi10-S30-AP6X 46590		10	3-wire DC PNP	10-30 VDC	500	≤200	-25 to +70	IP67	PA 12	PA 12	N/A	YE	2M/PVC	A	3	A4
Bi10-S30-VP4X 15122	Comp. Outputs	10	4-wire DC PNP	10-65 VDC	500	≤200	-25 to +70	IP67	PA 12	PA 12	N/A	YE	2M/PVC	A	5	A4
Ni20U-S30-AN6X 1646520	Uprox	20	3-wire DC NPN	10-30 VDC	1500	≤200	-30 to +85	IP68	PA 12	PA 12	N/A	YE	2M/PVC	A	2	A4
Ni20U-S30-AP6X 1646500	Uprox	20	3-wire DC PNP	10-30 VDC	1500	≤200	-30 to +85	IP68	PA 12	PA 12	N/A	YE	2M/PVC	A	3	A4
Ni15-S30-AD4X 44592		15	2-wire DC	10-65 VDC	200	≤100	-25 to +70	IP67	PA 12	PA 12	N/A	YE	2M/PVC	A	1	A2
Ni15-S30-AN6X 46593		15	3-wire DC NPN	10-30 VDC	500	≤200	-25 to +70	IP67	PA 12	PA 12	N/A	YE	2M/PVC	A	2	A4
Ni15-S30-AP6X 46592		15	3-wire DC PNP	10-30 VDC	500	≤200	-25 to +70	IP67	PA 12	PA 12	N/A	YE	2M/PVC	A	3	A4
Ni15-S30-VN4X 15224	Comp. Outputs	15	4-wire DC NPN	10-65 VDC	500	≤200	-25 to +70	IP67	PA 12	PA 12	N/A	YE	2M/PVC	A	4	A4
Ni15-S30-VP4X 15630	Comp. Outputs	15	4-wire DC PNP	10-65 VDC	500	≤200	-25 to +70	IP67	PA 12	PA 12	N/A	YE	2M/PVC	A	5	A4


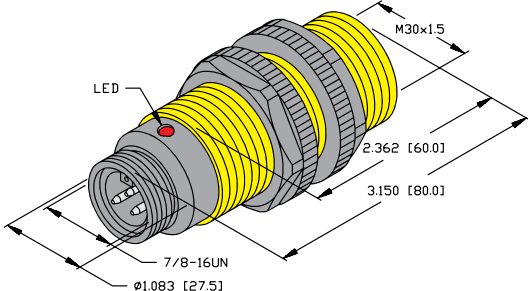
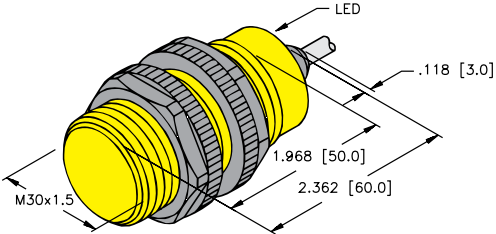
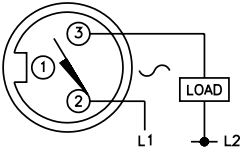
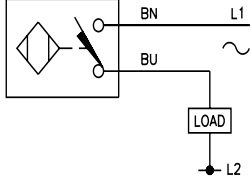
We reserve the right to make technical alterations without prior notice.

Inductive Barrel Sensors



Inductive Barrel Sensors | 30 mm

Threaded Plastic Barrels with AC Outputs

Housing Style	Dimension Drawings
	<p>A</p>  <p>30 mm - Embeddable/Nonembeddable, Full Threading, 7/8" Minifast Connection</p>
<p>B</p>  <p>30 mm - Embeddable/Nonembeddable, Partial Threading, Potted-In Cable</p>	
Wiring Diagrams/Mating Cordsets	
<p>1</p>  <p>Mating Cordset: RK 30-*M</p>	<p>2</p> 
A6 2-wire AC/DC w/o Short-Circuit Protection - (AZ, RZ, FZ)	
<p>Line Frequency: $\geq 50 \dots \leq 60$ Hz</p> <p>Differential Travel (Hysteresis): 3-15% (5% typical)</p> <p>Voltage Drop Across Conducting Sensor: ≤ 6.0 V</p> <p>Continuous Load Current: AC: ≤ 400 mA; DC: ≤ 300 mA</p> <p>Off-State (Leakage) Current: ≤ 1.7 mA</p> <p>Minimum Load Current: ≥ 3.0 mA</p>	<p>Inrush Current: ≤ 8 A (≤ 10ms max. 5 Hz)</p> <p>≤ 1 A (≤ 10 ms max. 5 Hz) 12 mm</p> <p>≤ 0.2 A (≤ 10 ms max. 0.2 Hz) 8 mm</p> <p>Power-On Effect: Per IEC 947-5-2</p> <p>Transient Protection: Per EN 60947-5-2</p> <p>Shock: 30 g, 11 ms</p> <p>Vibration: 55 Hz, 1 mm Amplitude, in all 3 Planes</p> <p>Repeatability: $\leq 2\%$ of Rated Operating Distance</p>

We reserve the right to make technical alterations without prior notice.



Inductive Barrel Sensors | 30 mm

Threaded Plastic Barrels with AC Outputs

Part Number/ ID Number	Features	Sensing Range (mm)	Output	Voltage	Switching Freq. (Hz)	Operating Current (mA)	Operating Temp. (°C)	Protection	Housing	Face	Power LED	Output LED	Cable Length/Jacket	Dimension Drawings	Wiring Diagrams	Spec List
Bi10-S30-AZ3X 43554		10	2-wire AC/DC	20-250 VAC/10-300 VDC	20	≤400/300	-25 to +70	IP67	PA 12	PA 12	N/A	RD	2M/PVC	B	2	A6
Ni15-S30-AZ3X 43555		15	2-wire AC/DC	20-250 VAC/10-300 VDC	20	≤400/300	-25 to +70	IP67	PA 12	PA 12	N/A	RD	2M/PVC	B	2	A6
Bi10-P30-AZ3X-B2131 43749		10	2-wire AC/DC	20-250 VAC/10-300 VDC	20	≤400/300	-25 to +70	IP67	PA 12	PA 12	N/A	RD	--	A	1	A6
Ni15-S30-AZ3X/S100 13758	High Temp. 100 °C	15	2-wire AC/DC	20-250 VAC/10-300 VDC	20	≤400/300	-25 to +100	IP67	PA 12	PA 12	N/A	RD	2M/PVC	B	2	A6
Ni15-P30-AZ3X-B2131 43754		15	2-wire AC/DC	20-250 VAC/10-300 VDC	20	≤400/300	-25 to +70	IP67	PA 12	PA 12	N/A	RD	--	A	1	A6


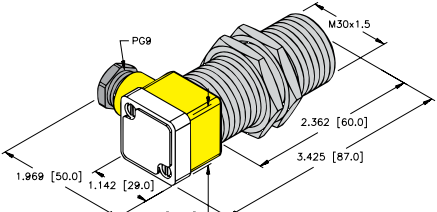
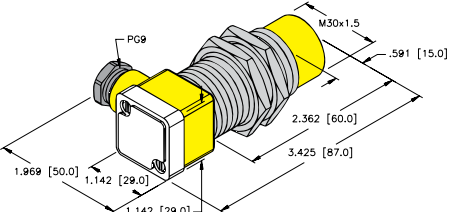
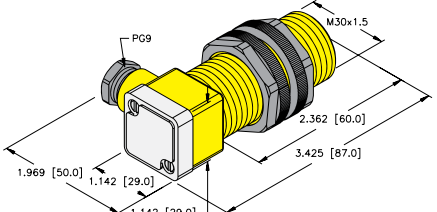
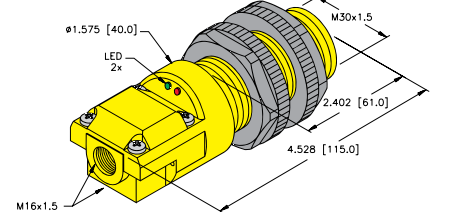
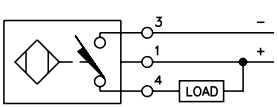
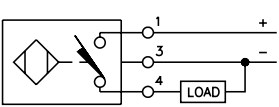
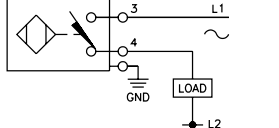
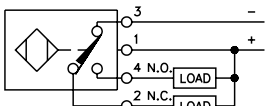
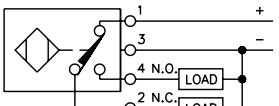
We reserve the right to make technical alterations without prior notice.

Inductive Barrel Sensors



Inductive Barrel Sensors | 30 mm

Threaded Barrels with Terminal Chamber and AC/DC Outputs

Housing Style	Dimension Drawings	
	<p>A</p>  <p>30 mm - Embeddable, Terminal Chamber</p>	
<p>B</p>  <p>30 mm - Nonembeddable, Terminal Chamber</p>	<p>C</p>  <p>30 mm - Embeddable/Nonembeddable, Plastic, Terminal Chamber</p>	
<p>D</p>  <p>30 mm - Embeddable/Nonembeddable, Plastic, Terminal Chamber</p>		
Wiring Diagrams/Mating Cordsets		
<p>1</p> 	<p>2</p> 	<p>3</p> 
<p>4</p> 	<p>5</p> 	
A4 3 and 4-wire DC - (AN, RN, AP, RP, VN, VP)		
<p>Ripple: $\leq 10\%$</p> <p>Differential Travel (Hysteresis): 3-15% (5% typical)</p> <p>Voltage Drop Across Conducting Sensor: $\leq 1.8\text{ V}$</p> <p>Trigger Current for Short Circuit Protection: $\geq 220\text{ mA}$ on 200 mA Load Current $\geq 170\text{ mA}$ on 150 mA Load Current $\geq 120\text{ mA}$ on 100 mA Load Current</p> <p>Off-State (Leakage) Current: $\leq 0.1\text{ mA}$ No-Load Current: $\leq 15\text{ mA}$ (Ferrite, Uprox) $\leq 20\text{ mA}$ (Uprox+, Uprox3)</p>	<p>Time Delay Before Availability: $\leq 8\text{ ms}$</p> <p>Power-On Effect: Per IEC 947-5-2</p> <p>Reverse Polarity Protection: Incorporated</p> <p>Wire-Break Protection: Incorporated</p> <p>Transient Protection: Per EN 60947-5-2</p> <p>Temperature Drift: $\leq \pm 10\%$</p> <p>Shock: 30 g, 11 ms</p> <p>Vibration: 55 Hz, 1 mm Amplitude in all 3 Planes</p> <p>Repeatability: $\leq 2\%$ of Rated Operating Distance</p>	
A6 2-wire AC/DC w/o Short-Circuit Protection - (AZ, RZ, FZ)		
<p>Line Frequency: $\geq 50\text{...} \leq 60\text{ Hz}$</p> <p>Differential Travel (Hysteresis): 3-15% (5% typical)</p> <p>Voltage Drop Across Conducting Sensor: $\leq 6.0\text{ V}$</p> <p>Continuous Load Current: AC: $\leq 400\text{ mA}$; DC: $\leq 300\text{ mA}$ AC: $\leq 100\text{ mA}$; DC: $\leq 100\text{ mA}$</p> <p>Off-State (Leakage) Current: $\leq 1.7\text{ mA}$</p> <p>Minimum Load Current: $\geq 3.0\text{ mA}$</p>	<p>Inrush Current: $\leq 8\text{ A}$ ($\leq 10\text{ ms}$ max. 5 Hz) $\leq 1\text{ A}$ ($\leq 10\text{ ms}$ max. 5 Hz) 12 mm $\leq 0.2\text{ A}$ ($\leq 10\text{ ms}$ max. 0.2 Hz) 8 mm</p> <p>Power-On Effect: Per IEC 947-5-2</p> <p>Transient Protection: Per EN 60947-5-2</p> <p>Shock: 30 g, 11 ms</p> <p>Vibration: 55 Hz, 1 mm Amplitude, in all 3 Planes</p> <p>Repeatability: $\leq 2\%$ of Rated Operating Distance</p>	

We reserve the right to make technical alterations without prior notice.



Inductive Barrel Sensors | 30 mm

Threaded Barrels with Terminal Chamber and AC/DC Outputs

Part Number/ ID Number	Features	Sensing Range (mm)	Output	Voltage	Switching Freq. (Hz)	Operating Current (mA)	Operating Temp. (°C)	Protection	Housing	Face	Power LED	Output LED	Dimension Drawings	Wiring Diagrams	Spec List
Bi10U-EG30SK-AN6X 1636420	Uprox	10	3-wire DC NPN	10-30 VDC	2000	≤200	-30 to +85	IP68	SS	LCP	N/A	YE	A	1	A4
Bi10-G30SK-AN6X2 4648500		10	3-wire DC NPN	10-30 VDC	500	≤200	-25 to +70	IP67	CPB	PA 12	GN	YE	A	1	A4
Bi10-P30SK-AN6X2 4660000		10	3-wire DC NPN	10-30 VDC	500	≤200	-25 to +70	IP67	PA 12	PA 12	GN	YE	C	1	A4
Bi10-G30SK-AP6X2 4648400		10	3-wire DC PNP	10-30 VDC	500	≤200	-25 to +70	IP67	CPB	PA 12	GN	YE	A	2	A4
Bi10-P30SK-AP6X2 4659900		10	3-wire DC PNP	10-30 VDC	500	≤200	-25 to +70	IP67	PA 12	PA 12	GN	YE	C	2	A4
Bi10-P30SR-VN4X2 15752	Comp. Outputs	10	4-wire DC NPN	10-65 VDC	500	≤200	-25 to +70	IP67	PA 12	PA 12	GN	YE	D	4	A4
Bi10-P30SR-VP4X2 15652	Comp. Outputs	10	4-wire DC PNP	10-65 VDC	500	≤200	-25 to +70	IP67	PA 12	PA 12	GN	YE	D	5	A4
Bi10-G30SK-AZ3X2 4346400		10	2-wire AC/DC	20-250 VAC/10-300 VDC	20	≤400/300	-25 to +70	IP67	CPB	PA 12	GN	RD	A	3	A6
Bi10-P30SK-AZ3X2 4356400		10	2-wire AC/DC	20-250 VAC/10-300 VDC	20	≤400/300	-25 to +70	IP67	PA 12	PA 12	GN	RD	C	3	A6
Bi10-P30SR-FZ3X2 13420	Programmable Outputs	10	2-wire AC/DC	20-250 VAC/10-300 VDC	20	≤500	-25 to +70	IP67	PA 12	PA 12	GN	RD	D	3	A6
Ni20U-P30SK-AP6X 1646700	Uprox	20	3-wire DC PNP	10-30 VDC	1500	≤200	-30 to +85	IP68	PA 12	PA 12	N/A	YE	C	2	A4
Ni15-P30SK-AN6X2 4660200		15	3-wire DC NPN	10-30 VDC	500	≤200	-25 to +70	IP67	PA 12	PA 12	GN	YE	C	1	A4
Ni15-G30SK-AP6X2 4648600		15	3-wire DC PNP	10-30 VDC	500	≤200	-25 to +70	IP67	CPB	PA 12	GN	YE	B	2	A4
Ni15-P30SK-AP6X2 4660100		15	3-wire DC PNP	10-30 VDC	500	≤200	-25 to +70	IP67	PA 12	PA 12	GN	YE	C	2	A4
Ni15-P30SR-VN4X2 15753	Comp. Outputs	15	4-wire DC NPN	10-65 VDC	500	≤200	-25 to +70	IP67	PA 12	PA 12	GN	YE	D	4	A4
Ni15-P30SR-VP4X2 15653	Comp. Outputs	15	4-wire DC PNP	10-65 VDC	500	≤200	-25 to +70	IP67	PA 12	PA 12	GN	YE	D	5	A4
Ni15-G30SK-AZ3X2 4346500		15	2-wire AC/DC	20-250 VAC/10-300 VDC	20	≤400/300	-25 to +70	IP67	CPB	PA 12	GN	RD	B	3	A6
Ni15-P30SK-AZ3X2 4356500		15	2-wire AC/DC	20-250 VAC/10-300 VDC	20	≤400/300	-25 to +70	IP67	PA 12	PA 12	GN	RD	C	3	A6
Ni15-P30SR-FZ3X2 13421	Programmable Outputs	15	2-wire AC/DC	20-250 VAC/10-300 VDC	20	≤500	-25 to +70	IP67	PA 12	PA 12	GN	RD	D	3	A6


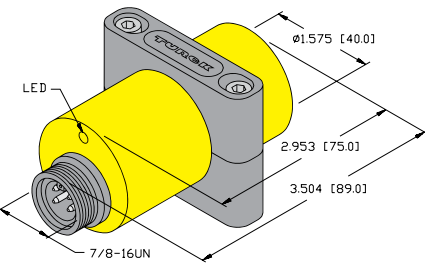
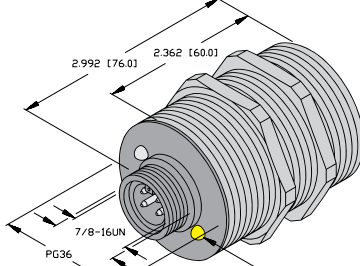
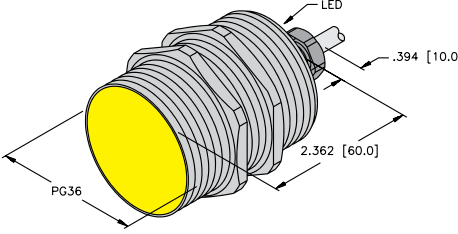
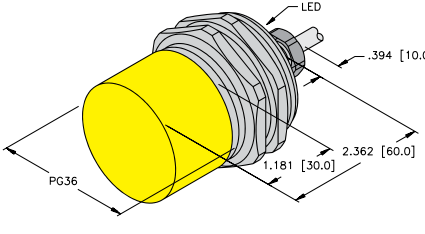
We reserve the right to make technical alterations without prior notice.

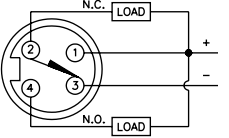
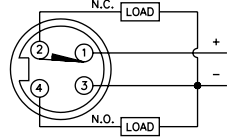
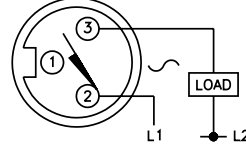
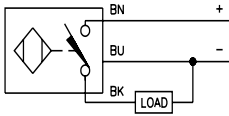
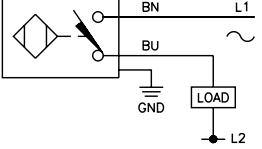
Inductive Barrel Sensors



Inductive Barrel Sensors | 40 mm, 47 mm

Large Diameter Barrels with AC/DC Outputs

Housing Style	Dimension Drawings	
	<p>A</p>  <p>40 mm - Nonembeddable, Smooth Plastic Barrel, 7/8" Minifast Connection</p>	<p>B</p>  <p>47 mm - Embeddable, 7/8" Minifast Connection</p>
<p>C</p>  <p>47 mm - Embeddable, Potted-In Cable</p>	<p>D</p>  <p>47 mm - Nonembeddable, Potted-In Cable</p>	

Wiring Diagrams/Mating Cordsets		
<p>1</p>  <p>Mating Cordset: RKM 40-*M</p>	<p>2</p>  <p>Mating Cordset: RKM 40-*M</p>	<p>3</p>  <p>Mating Cordset: RKM 30-*M</p>
<p>4</p> 	<p>5</p> 	

A4 3 and 4-wire DC - (AN, RN, AP, RP, VN, VP)		
<p>Ripple: $\leq 10\%$</p> <p>Differential Travel (Hysteresis): 3-15% (5% typical)</p> <p>Voltage Drop Across Conducting Sensor: $\leq 1.8\text{ V}$</p> <p>Trigger Current for Short Circuit Protection: $\geq 220\text{ mA}$ on 200 mA Load Current $\geq 170\text{ mA}$ on 150 mA Load Current $\geq 120\text{ mA}$ on 100 mA Load Current</p> <p>Off-State (Leakage) Current: $\leq 0.1\text{ mA}$</p> <p>No-Load Current: $\leq 15\text{ mA}$ (Ferrite, Uprox) $\leq 20\text{ mA}$ (Uprox+, Uprox3)</p>	<p>Time Delay Before Availability: $\leq 8\text{ ms}$</p> <p>Power-On Effect: Per IEC 947-5-2</p> <p>Reverse Polarity Protection: Incorporated</p> <p>Wire-Break Protection: Incorporated</p> <p>Transient Protection: Per EN 60947-5-2</p> <p>Temperature Drift: $\leq \pm 10\%$</p> <p>Shock: 30 g, 11 ms</p> <p>Vibration: 55 Hz, 1 mm Amplitude in all 3 Planes</p> <p>Repeatability: $\leq 2\%$ of Rated Operating Distance</p>	
A6 2-wire AC/DC w/o Short-Circuit Protection - (AZ, RZ, FZ)		
<p>Line Frequency: $\geq 50\text{...} \leq 60\text{ Hz}$</p> <p>Differential Travel (Hysteresis): 3-15% (5% typical)</p> <p>Voltage Drop Across Conducting Sensor: $\leq 6.0\text{ V}$</p> <p>Continuous Load Current: AC: $\leq 400\text{ mA}$; DC: $\leq 300\text{ mA}$ AC: $\leq 100\text{ mA}$; DC: $\leq 100\text{ mA}$</p> <p>Off-State (Leakage) Current: $\leq 1.7\text{ mA}$</p> <p>Minimum Load Current: $\geq 3.0\text{ mA}$</p>	<p>Inrush Current: $\leq 8\text{ A}$ ($\leq 10\text{ ms}$ max. 5 Hz) $\leq 1\text{ A}$ ($\leq 10\text{ ms}$ max. 5 Hz) 12 mm $\leq 0.2\text{ A}$ ($\leq 10\text{ ms}$ max. 0.2 Hz) 8 mm</p> <p>Power-On Effect: Per IEC 947-5-2</p> <p>Transient Protection: Per EN 60947-5-2</p> <p>Shock: 30 g, 11 ms</p> <p>Vibration: 55 Hz, 1 mm Amplitude, in all 3 Planes</p> <p>Repeatability: $\leq 2\%$ of Rated Operating Distance</p>	

We reserve the right to make technical alterations without prior notice.



Inductive Barrel Sensors | 40 mm, 47 mm

Large Diameter Barrels with AC/DC Outputs


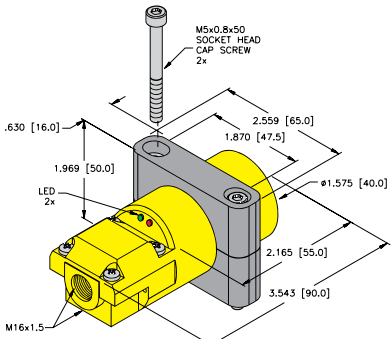
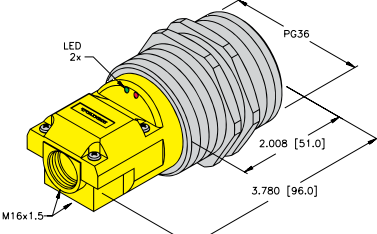
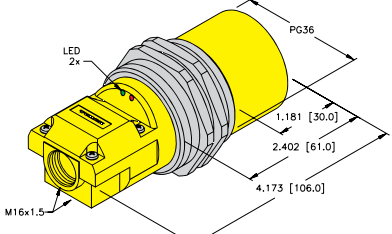
Part Number/ ID Number	Features	Sensing Range (mm)	Output	Voltage	Switching Freq. (Hz)	Operating Current (mA)	Operating Temp. (°C)	Protection	Housing	Face	Power LED	Output LED	Cable Length/Jacket	Dimension Drawings	Wiring Diagrams	Spec List
Bi20-G47-AP4X 15645		20	3-wire DC PNP	10-65 VDC	100	≤200	-25 to +70	IP67	CPB	PA 12	N/A	YE	2M/PVC	C	4	A4
Bi20-G47-AZ3X 13088		20	2-wire AC/DC	20-250 VAC/10-300 VDC	20	≤400/300	-25 to +70	IP67	CPB	PA 12	N/A	RD	2M/PVC	C	5	A6
Ni25-G47-AP4X 15646		25	3-wire DC PNP	10-65 VDC	100	≤200	-25 to +70	IP67	CPB	PA 12	N/A	YE	2M/PVC	D	4	A4
Ni25-G47-AZ3X 13089		25	2-wire AC/DC	20-250 VAC/10-300 VDC	20	≤400/300	-25 to +70	IP67	CPB	PA 12	N/A	RD	2M/PVC	D	5	A6
Bi25-G47-VN4X-B2141 45903	Comp. Outputs	25	4-wire DC NPN	10-65 VDC	100	≤200	-25 to +70	IP67	CPB	PA 12	N/A	YE	--	B	1	A4
Bi25-G47-VP4X-B2141 45902	Comp. Outputs	25	4-wire DC PNP	10-65 VDC	100	≤200	-25 to +70	IP67	CPB	PA 12	N/A	YE	--	B	2	A4
Bi20-G47-AZ3X-B2131 43759		20	2-wire AC/DC	20-250 VAC/10-300 VDC	20	≤400/300	-25 to +70	IP67	CPB	PA 12	N/A	RD	--	B	3	A6
Ni30-K40-VN4X-B2141 45904	Comp. Outputs	30	4-wire DC NPN	10-65 VDC	100	≤200	-25 to +70	IP67	ABS	ABS	N/A	YE	--	A	1	A4
Ni30-K40-VP4X-B2141 45905	Comp. Outputs	30	4-wire DC PNP	10-65 VDC	100	≤200	-25 to +70	IP67	ABS	ABS	N/A	YE	--	A	2	A4
Ni30-K40-AZ3X-B2131 43758		30	2-wire AC/DC	20-250 VAC/10-300 VDC	20	≤400/300	-25 to +70	IP67	ABS	ABS	N/A	RD	--	A	3	A6

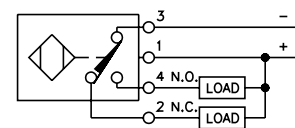
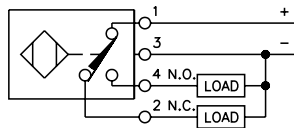
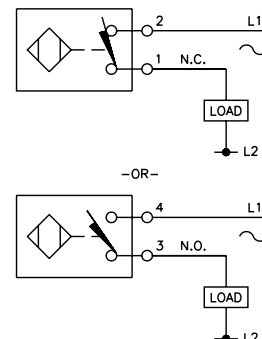
We reserve the right to make technical alterations without prior notice.

Inductive Barrel Sensors

Inductive Barrel Sensors | 40 mm, 47 mm

Large Diameter Barrels with Terminal Chambers and AC/DC Outputs

Housing Style	Dimension Drawings
	<p>A</p>  <p>40 mm - Smooth Plastic, Terminal Chamber</p>
<p>B</p>  <p>47 mm - Embeddable, Terminal Chamber</p>	<p>C</p>  <p>47 mm - Nonembeddable, Terminal Chamber</p>

Wiring Diagrams/Mating Cordsets		
<p>1</p> 	<p>2</p> 	<p>3</p> 

A4 3 and 4-wire DC - (AN, RN, AP, RP, VN, VP)	
<p>Ripple: $\leq 10\%$</p> <p>Differential Travel (Hysteresis): 3-15% (5% typical)</p> <p>Voltage Drop Across Conducting Sensor: $\leq 1.8\text{ V}$</p> <p>Trigger Current for Short Circuit Protection: $\geq 220\text{ mA}$ on 200 mA Load Current $\geq 170\text{ mA}$ on 150 mA Load Current $\geq 120\text{ mA}$ on 100 mA Load Current</p> <p>Off-State (Leakage) Current: $\leq 0.1\text{ mA}$</p> <p>No-Load Current: $\leq 15\text{ mA}$ (Ferrite, Uprox) $\leq 20\text{ mA}$ (Uprox+, Uprox3)</p>	<p>Time Delay Before Availability: $\leq 8\text{ ms}$</p> <p>Power-On Effect: Per IEC 947-5-2</p> <p>Reverse Polarity Protection: Incorporated</p> <p>Wire-Break Protection: Incorporated</p> <p>Transient Protection: Per EN 60947-5-2</p> <p>Temperature Drift: $\leq \pm 10\%$</p> <p>Shock: 30 g, 11 ms</p> <p>Vibration: 55 Hz, 1 mm Amplitude in all 3 Planes</p> <p>Repeatability: $\leq 2\%$ of Rated Operating Distance</p>
A6 2-wire AC/DC w/o Short-Circuit Protection - (AZ, RZ, FZ)	
<p>Line Frequency: $\geq 50\text{ Hz}$... $\leq 60\text{ Hz}$</p> <p>Differential Travel (Hysteresis): 3-15% (5% typical)</p> <p>Voltage Drop Across Conducting Sensor: $\leq 6.0\text{ V}$</p> <p>Continuous Load Current: AC: $\leq 400\text{ mA}$; DC: $\leq 300\text{ mA}$ AC: $\leq 100\text{ mA}$; DC: $\leq 100\text{ mA}$</p> <p>Off-State (Leakage) Current: $\leq 1.7\text{ mA}$</p> <p>Minimum Load Current: $\geq 3.0\text{ mA}$</p>	<p>Inrush Current: $\leq 8\text{ A}$ ($\leq 10\text{ ms}$ max. 5 Hz) $\leq 1\text{ A}$ ($\leq 10\text{ ms}$ max. 5 Hz) 12 mm $\leq 0.2\text{ A}$ ($\leq 10\text{ ms}$ max. 0.2 Hz) 8 mm</p> <p>Power-On Effect: Per IEC 947-5-2</p> <p>Transient Protection: Per EN 60947-5-2</p> <p>Shock: 30 g, 11 ms</p> <p>Vibration: 55 Hz, 1 mm Amplitude, in all 3 Planes</p> <p>Repeatability: $\leq 2\%$ of Rated Operating Distance</p>

We reserve the right to make technical alterations without prior notice.



Inductive Barrel Sensors | 40 mm, 47 mm

Large Diameter Barrels with Terminal Chambers and AC/DC Outputs

Part Number/ ID Number	Features	Sensing Range (mm)	Output	Voltage	Switching Freq. (Hz)	Operating Current (mA)	Operating Temp. (°C)	Protection	Housing	Face	Power LED	Output LED	Dimension Drawings	Wiring Diagrams	Spec List
Bi25-G47SR-FZ3X2 13427	Programmable Outputs	25	2-wire AC/DC	20-250 VAC/10-300 VDC	20	≤400/300	-25 to +70	IP67	CPB	PA 12	GN	RD	B	3	A6
Bi25-G47SR-VN4X2 15748	Comp. Outputs	25	4-wire DC NPN	10-65 VDC	100	≤200	-25 to +70	IP67	CPB	PA 12	GN	YE	B	1	A4
Bi25-G47SR-VP4X2 15648	Comp. Outputs	25	4-wire DC PNP	10-65 VDC	100	≤200	-25 to +70	IP67	CPB	PA 12	GN	YE	B	2	A4
Bi15-K40SR-FZ3X2 13423	Programmable Outputs	15	2-wire AC/DC	20-250 VAC/10-300 VDC	20	≤400/300	-25 to +70	IP67	ABS	ABS	GN	RD	A	3	A6
Bi15-K40SR-VP4X2 15655	Comp. Outputs	15	4-wire DC PNP	10-65 VDC	100	≤200	-25 to +70	IP67	ABS	ABS	GN	YE	A	2	A4
Ni40-G47SR-FZ3X2 13428	Programmable Outputs	40	2-wire AC/DC	20-250 VAC/10-300 VDC	20	≤400/300	-25 to +70	IP67	CPB	PA 12	GN	RD	C	3	A6
Ni40-G47SR-VP4X2 15650	Comp. Outputs	40	4-wire DC PNP	10-65 VDC	100	≤200	-25 to +70	IP67	CPB	PA 12	GN	YE	C	2	A4
Ni30-K40SR-FZ3X2 13425	Programmable Outputs	30	2-wire AC/DC	20-250 VAC/10-300 VDC	20	≤400/300	-25 to +70	IP67	ABS	ABS	GN	RD	A	3	A6
Ni30-K40SR-VN4X2 15758	Comp. Outputs	30	4-wire DC NPN	10-65 VDC	100	≤200	-25 to +70	IP67	ABS	ABS	GN	YE	A	1	A4
Ni30-K40SR-VP4X2 15658	Comp. Outputs	30	4-wire DC PNP	10-65 VDC	100	≤200	-25 to +70	IP67	ABS	ABS	GN	YE	A	2	A4
Ni20-K40SR-FZ3X2 13424	Programmable Outputs	20	2-wire AC/DC	20-250 VAC/10-300 VDC	20	≤400/300	-25 to +70	IP67	ABS	ABS	GN	RD	A	3	A6
Ni20-K40SR-VN4X2 15756	Comp. Outputs	20	4-wire DC NPN	10-65 VDC	100	≤200	-25 to +70	IP67	ABS	ABS	GN	YE	A	1	A4
Ni20-K40SR-VP4X2 15656	Comp. Outputs	20	4-wire DC PNP	10-65 VDC	100	≤200	-25 to +70	IP67	ABS	ABS	GN	YE	A	2	A4

We reserve the right to make technical alterations without prior notice.

Inductive Barrel Sensors

Inductive Barrel Sensors | 4 mm, 5 mm, & 6.5 mm Namur



Dimension Drawings

<p>A</p> <p>4 mm - Embeddable, Miniature Smooth, M8 Picofast Quick Disconnect</p>	<p>B</p> <p>5 mm - Embeddable, Miniature Threaded, M8 Picofast Quick Disconnect</p>	<p>C</p> <p>6.5 mm - Embeddable, Miniature Smooth, M8 Picofast Quick Disconnect</p>
<p>D</p> <p>4 mm - Embeddable, Miniature Smooth Barrel, Potted-In Cable</p>	<p>E</p> <p>5 mm - Embeddable, Miniature Threaded Barrel, Potted-In Cable</p>	<p>F</p> <p>6.5 mm - Embeddable, Miniature Smooth Barrel, Potted-In Cable</p>
<p>G</p> <p>6.5 mm - Embeddable, Miniature Smooth Barrel, Potted-In Cable</p>	<p>H</p> <p>6.5 mm - Nonembeddable, Miniature Smooth Barrel, Potted-In Cable</p>	

Wiring Diagrams/Mating Cordsets

<p>1</p> <p>Mating Cordset: PKG 3M-*</p>	<p>2</p>
-------------------------------------------------	-----------------

A1 2-wire DC NAMUR - (Y0 and Y1)

<p>Differential Travel (Hysteresis): 1-10% (5% typical)</p> <p>Nominal Voltage: 8.2 VDC (EN60947-5-6)</p> <p>Load Resistance: 1000 Ω</p> <p>Non-Activated Current Consumption: ≥2.1 mA</p> <p>Activated Current Consumption: ≤1.2 mA</p> <p>Recommended Switching Point for Remote Amplifier: >1.2 to <2.1 mA, typ. 1.55 mA ON/1.75 mA OFF</p>	<p>Power-On Effect: Realized in Amplifier</p> <p>Reverse Polarity Protection: Incorporated</p> <p>Wire-Break Protection: Realized in Amplifier</p> <p>Transient Protection: Realized in Amplifier</p> <p>Shock: 30 g, 11 ms</p> <p>Vibration: 55 Hz, 1 mm Amplitude in all 3 Planes</p> <p>Repeatability: ≤2% of Rated Operating Distance</p>
------------------------------------------------------------------------------------------------------------------------------------------------------------------------------------------------------------------------------------------------------------------------------------------------------------------------------------------------------	-----------------------------------------------------------------------------------------------------------------------------------------------------------------------------------------------------------------------------------------------------------------------------------------------------------------------------------------------

Amplifier Note:

Inductive sensors with Namur outputs are typically used in hazardous locations and the approval agencies require the use of an amplifier to regulate the signals in the hazardous area. Due to the wide variety of approvals, output options, and amplifier designs, it is not possible to incorporate all of the choices in this catalog. For the most up to date information, please either search for these products under our interface technology product category (www.turck.us) or contact us by phone.

We reserve the right to make technical alterations without prior notice.



Inductive Barrel Sensors | 4 mm, 5 mm, & 6.5 mm Namur

Intrinsically Safe

Part Number/ ID Number	Features	Sensing Range (mm)	Output	Voltage	Switching Freq. (Hz)	Operating Current (mA)	Operating Temp. (°C)	Protection	Housing	Face	Cable Length/Jacket	Output LED	Dimension Drawings	Wiring Diagrams	Spec List
Bi1-EH04-Y1-V1330 1003044		1	2-wire DC NAMUR	5-30 VDC	5000	Remote	-25 to +70	IP67	SS	PA 12	--	N/A	A	1	A1
Bi1-EG05-Y1-V1331 1003241		1	2-wire DC NAMUR	5-30 VDC	5000	Remote	-25 to +70	IP67	SS	PA 12	--	N/A	B	1	A1
Bi1.5-EH6.5-Y1-V1130 1004621		1.5	2-wire DC NAMUR	5-30 VDC	5000	Remote	-25 to +70	IP67	SS	PA 12	--	N/A	C	1	A1
Bi1-EH04-Y1 1003040		1	2-wire DC NAMUR	5-30 VDC	5000	Remote	-25 to +70	IP67	SS	PA 12	2M/PVC	N/A	D	2	A1
Bi1-EG05-Y1 1003240		1	2-wire DC NAMUR	5-30 VDC	5000	Remote	-25 to +70	IP67	SS	PA 12	2M/PVC	N/A	E	2	A1
Bi1.5-EH6.5K-Y1 1004600	Short Barrel	1.5	2-wire DC NAMUR	5-30 VDC	5000	Remote	-25 to +70	IP67	SS	PA 12	2M/PVC	N/A	F	2	A1
Bi1.5-H6.5-Y1X 4004810		1.5	2-wire DC NAMUR	5-30 VDC	3000	Remote	-25 to +70	IP67	SS	PA 12	2M/PVC	YE	G	2	A1
Ni3-EH6.5K-Y1 1004700	Short Barrel	3	2-wire DC NAMUR	5-30 VDC	5000	Remote	-25 to +70	IP67	SS	PA 12	2M/PVC	N/A	H	2	A1

We reserve the right to make technical alterations without prior notice.

Inductive Barrel Sensors



Inductive Barrel Sensors | 8 mm Namur



Dimension Drawings

<p>A</p> <p>8 mm - Embeddable, Miniature Threaded, M8 Picofast Quick Disconnect</p>	<p>B</p> <p>8 mm - Embeddable, Miniature Threaded, M8 Picofast Quick Disconnect</p>	<p>C</p> <p>8 mm - Nonembeddable, Miniature Threaded, M8 Picofast Quick Disconnect</p>
<p>D</p> <p>8 mm - Nonembeddable, Miniature Threaded, M8 Picofast Quick Disconnect</p>	<p>E</p> <p>8 mm - Embeddable, Miniature Threaded, M12 Eurofast Quick Disconnect</p>	<p>F</p> <p>8 mm - Embeddable, Miniature Threaded, M12 Eurofast Quick Disconnect</p>
<p>G</p> <p>8 mm - Nonembeddable, Miniature Threaded, M12 Eurofast Quick Disconnect</p>	<p>H</p> <p>8 mm - Nonembeddable, Miniature Threaded, M12 Eurofast Quick Disconnect</p>	

We reserve the right to make technical alterations without prior notice.

Wiring Diagrams/Mating Cordsets

<p>1</p> <p>Mating Cordset: PKG 3M-*</p>	<p>2</p> <p>Mating Cordset: RK 4.21T-*</p>
-------------------------------------------------	---------------------------------------------------

A1 2-wire DC NAMUR - (Y0 and Y1)	
<p>Differential Travel (Hysteresis): 1-10% (5% typical)</p> <p>Nominal Voltage: 8.2 VDC (EN60947-5-6)</p> <p>Load Resistance: 1000 Ω</p> <p>Non-Activated Current Consumption: ≥2.1 mA</p> <p>Activated Current Consumption: ≤1.2 mA</p> <p>Recommended Switching Point for Remote Amplifier: >1.2 to <2.1 mA, typ. 1.55 mA ON/1.75 mA OFF</p>	<p>Power-On Effect: Realized in Amplifier</p> <p>Reverse Polarity Protection: Incorporated</p> <p>Wire-Break Protection: Realized in Amplifier</p> <p>Transient Protection: Realized in Amplifier</p> <p>Shock: 30 g, 11 ms</p> <p>Vibration: 55 Hz, 1 mm Amplitude in all 3 Planes</p> <p>Repeatability: ≤2% of Rated Operating Distance</p>

Amplifier Note:

Inductive sensors with Namur outputs are typically used in hazardous locations and the approval agencies require the use of an amplifier to regulate the signals in the hazardous area. Due to the wide variety of approvals, output options, and amplifier designs, it is not possible to incorporate all of the choices in this catalog. For the most up to date information, please either search for these products under our interface technology product category (www.turck.us) or contact us by phone.



Inductive Barrel Sensors | 8 mm Namur

Intrinsically Safe

Part Number/ ID Number	Features	Sensing Range (mm)	Output	Voltage	Switching Freq. (Hz)	Operating Current (mA)	Operating Temp. (°C)	Protection	Housing	Face	Output LED	Dimension Drawings	Wiring Diagrams	Spec List
Bi1.5-EG08K-Y1-V1131 1003630	Short Barrel	1.5	2-wire DC NAMUR	5-30 VDC	5000	Remote	-25 to +70	IP67	SS	PA 12	N/A	A	1	A1
Bi1.5-EG08-Y1-V1131 1003530		1.5	2-wire DC NAMUR	5-30 VDC	5000	Remote	-25 to +70	IP67	SS	PA 12	N/A	B	1	A1
Ni3-EG08K-Y1-V1130 1003721	Short Barrel	3	2-wire DC NAMUR	5-30 VDC	5000	Remote	-25 to +70	IP67	SS	PA 12	N/A	C	1	A1
Ni3-EG08-Y1-V1130 1003732		3	2-wire DC NAMUR	5-30 VDC	5000	Remote	-25 to +70	IP67	SS	PA 12	N/A	D	1	A1
Bi1.5-EG08K-Y1-H1341 1003620	Short Barrel	1.5	2-wire DC NAMUR	5-30 VDC	5000	Remote	-25 to +70	IP67	SS	PA 12	N/A	E	2	A1
Bi1.5-EG08K-Y1X-H1341 1003640	Short Barrel	1.5	2-wire DC NAMUR	5-30 VDC	5000	Remote	-25 to +70	IP67	SS	PA 12	YE	E	2	A1
Bi1.5-EG08-Y1-H1341 1003502		1.5	2-wire DC NAMUR	5-30 VDC	5000	Remote	-25 to +70	IP67	SS	PA 12	N/A	F	2	A1
Ni3-EG08K-Y1-H1341 1003720	Short Barrel	3	2-wire DC NAMUR	5-30 VDC	5000	Remote	-25 to +70	IP67	SS	PA 12	N/A	G	2	A1
Ni3-EG08K-Y1X-H1341 1003704	Short Barrel	3	2-wire DC NAMUR	5-30 VDC	5000	Remote	-25 to +70	IP67	SS	PA 12	N/A	G	2	A1
Ni3-EG08-Y1-H1341 1003730		3	2-wire DC NAMUR	5-30 VDC	5000	Remote	-25 to +70	IP67	SS	PA 12	N/A	H	2	A1

We reserve the right to make technical alterations without prior notice.

Inductive Barrel Sensors

Inductive Barrel Sensors | 8 mm Namur

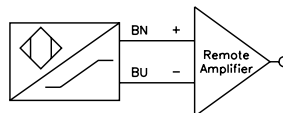


Dimension Drawings

<p>A</p> <p>8 mm - Embeddable, Miniature Smooth Barrel, Potted-In Cable</p>	<p>B</p> <p>8 mm - Embeddable, Miniature Threaded Barrel, Side Sensing, Potted-In Cable</p>	<p>C</p> <p>8 mm - Embeddable, Miniature Threaded Barrel, Potted-In Cable</p>
<p>D</p> <p>8 mm - Embeddable, Miniature Threaded Barrel, Potted-In Cable</p>	<p>E</p> <p>8 mm - Embeddable, Miniature Threaded Barrel, Potted-In Cable</p>	<p>F</p> <p>8 mm - Nonembeddable, Miniature Threaded Barrel, Potted-In Cable</p>
<p>G</p> <p>8 mm - Nonembeddable, Miniature Threaded Barrel, Potted-In Cable</p>		

Wiring Diagrams/Mating Cordsets

1



A1

2-wire DC NAMUR - (Y0 and Y1)

<p>Differential Travel (Hysteresis): 1-10% (5% typical)</p> <p>Nominal Voltage: 8.2 VDC (EN60947-5-6)</p> <p>Load Resistance: 1000 Ω</p> <p>Non-Activated Current Consumption: ≥2.1 mA</p> <p>Activated Current Consumption: ≤1.2 mA</p> <p>Recommended Switching Point for Remote Amplifier: >1.2 to <2.1 mA, typ. 1.55 mA ON/1.75 mA OFF</p>	<p>Power-On Effect: Realized in Amplifier</p> <p>Reverse Polarity Protection: Incorporated</p> <p>Wire-Break Protection: Realized in Amplifier</p> <p>Transient Protection: Realized in Amplifier</p> <p>Shock: 30 g, 11 ms</p> <p>Vibration: 55 Hz, 1 mm Amplitude in all 3 Planes</p> <p>Repeatability: ≤2% of Rated Operating Distance</p>
------------------------------------------------------------------------------------------------------------------------------------------------------------------------------------------------------------------------------------------------------------------------------------------------------------------------------------------------------	-----------------------------------------------------------------------------------------------------------------------------------------------------------------------------------------------------------------------------------------------------------------------------------------------------------------------------------------------

Amplifier Note:

Inductive sensors with Namur outputs are typically used in hazardous locations and the approval agencies require the use of an amplifier to regulate the signals in the hazardous area. Due to the wide variety of approvals, output options, and amplifier designs, it is not possible to incorporate all of the choices in this catalog. For the most up to date information, please either search for these products under our interface technology product category (www.turck.us) or contact us by phone.

We reserve the right to make technical alterations without prior notice.



Inductive Barrel Sensors | 8 mm Namur

Intrinsically Safe

Part Number/ ID Number	Features	Sensing Range (mm)	Output	Voltage	Switching Freq. (Hz)	Operating Current (mA)	Operating Temp. (°C)	Protection	Housing	Face	Output LED	Cable Length/Jacket	Dimension Drawings	Wiring Diagrams	Spec List
Bi1.5-H08-Y1 1021800		1.5	2-wire DC NAMUR	5-30 VDC	5000	Remote	-25 to +70	IP67	SS	PA 12	N/A	2M/PVC	A	1	A1
Bi1.5-GS880-Y0 1004401	Side Sensing	1.5	2-wire DC NAMUR	5-30 VDC	5000	Remote	-25 to +70	IP67	SS	PA 12	N/A	2M/PVC	B	1	A1
Bi1.5-EG08K-Y1 1003600	Short Barrel	1.5	2-wire DC NAMUR	5-30 VDC	5000	Remote	-25 to +70	IP67	SS	PA 12	N/A	2M/PVC	C	1	A1
Bi1.5-EG08-Y1 1003500		1.5	2-wire DC NAMUR	5-30 VDC	5000	Remote	-25 to +70	IP67	SS	PA 12	N/A	2M/PVC	D	1	A1
Bi1.5-G08-Y1 1005224		1.5	2-wire DC NAMUR	5-30 VDC	5000	Remote	-25 to +70	IP67	SS	PA 12	N/A	2M/PVC	E	1	A1
Ni3-EG08K-Y1 1003700	Short Barrel	3	2-wire DC NAMUR	5-30 VDC	5000	Remote	-25 to +70	IP67	SS	PA 12	N/A	2M/PVC	F	1	A1
Ni2-G08-Y1 10053		2	2-wire DC NAMUR	5-30 VDC	5000	Remote	-25 to +70	IP67	SS	PA 12	N/A	2M/PVC	G	1	A1

We reserve the right to make technical alterations without prior notice.

Inductive Barrel Sensors

Inductive Barrel Sensors | 12 mm Namur



Dimension Drawings

<p>A</p> <p>12 mm - Embeddable, M12 Eurofast Connection</p>	<p>B</p> <p>12 mm - Embeddable, M12 Eurofast Connection, PTFE Coated Sensors</p>	<p>C</p> <p>12 mm - Embeddable, M12 Eurofast Connection, Extended Barrel Length</p>
<p>D</p> <p>12 mm - Nonembeddable, M12 Eurofast Connection</p>	<p>E</p> <p>12 mm - Nonembeddable, M12 Eurofast Connection</p>	<p>F</p> <p>12 mm - Embeddable, Potted-In Cable</p>
<p>G</p> <p>12 mm - Nonembeddable, Potted-In Cable</p>	<p>H</p> <p>12 mm - Embeddable/Nonembeddable, Plastic, M12 Eurofast Quick Disconnect</p>	<p>I</p> <p>12 mm - Embeddable/Nonembeddable, Plastic Potted-In Cable</p>

We reserve the right to make technical alterations without prior notice.

Wiring Diagrams/Mating Cordsets

<p>1</p> <p>Mating Cordset: RK 4.21T-*; RKK 4.21T-*</p>	<p>2</p>
----------------------------------------------------------------	-----------------

A1 2-wire DC NAMUR - (Y0 and Y1)	
<p>Differential Travel (Hysteresis): 1-10% (5% typical)</p> <p>Nominal Voltage: 8.2 VDC (EN60947-5-6)</p> <p>Load Resistance: 1000 Ω</p> <p>Non-Activated Current Consumption: ≥2.1 mA</p> <p>Activated Current Consumption: ≤1.2 mA</p> <p>Recommended Switching Point for Remote Amplifier:</p> <p>Amplifier: >1.2 to <2.1 mA, typ. 1.55 mA ON/1.75 mA OFF</p>	<p>Power-On Effect: Realized in Amplifier</p> <p>Reverse Polarity Protection: Incorporated</p> <p>Wire-Break Protection: Realized in Amplifier</p> <p>Transient Protection: Realized in Amplifier</p> <p>Shock: 30 g, 11 ms</p> <p>Vibration: 55 Hz, 1 mm Amplitude in all 3 Planes</p> <p>Repeatability: ≤2% of Rated Operating Distance</p>

Amplifier Note:

Inductive sensors with Namur outputs are typically used in hazardous locations and the approval agencies require the use of an amplifier to regulate the signals in the hazardous area. Due to the wide variety of approvals, output options, and amplifier designs, it is not possible to incorporate all of the choices in this catalog. For the most up to date information, please either search for these products under our interface technology product category (www.turck.us) or contact us by phone.



Inductive Barrel Sensors | 12 mm Namur

Intrinsically Safe

Part Number/ ID Number	Features	Sensing Range (mm)	Output	Voltage	Switching Freq. (Hz)	Operating Current (mA)	Operating Temp. (°C)	Protection	Housing	Face	Output LED	Cable Length/Jacket	Dimension Drawings	Wiring Diagrams	Spec List
Bi2-M12-Y1X-H1141 40102		2	2-wire DC NAMUR	5-30 VDC	5000	Remote	-25 to +70	IP67	CPB	PA 12	YE	--	A	1	A1
Bi2-MT12-Y0X-H1141 4010093	PTFE	2	2-wire DC NAMUR	5-30 VDC	5000	Remote	-25 to +70	IP67	TC	TC	YE	--	B	1	A1
Bi2-M12E-Y0X-H1141 4606490		2	2-wire DC NAMUR	5-30 VDC	5000	Remote	-25 to +70	IP67	CPB	PA 12	YE	--	C	1	A1
Bi2-S12-Y0X-H1141 4030090		2	2-wire DC NAMUR	5-30 VDC	5000	Remote	-25 to +70	IP67	PA	PA	RD	--	H	1	A1
Ni5-M12-Y1X-H1141 40103		5	2-wire DC NAMUR	5-30 VDC	2000	Remote	-25 to +70	IP67	CPB	PA 12	YE	--	D	1	A1
Ni5-G12-Y0-H1141 1005594		5	2-wire DC NAMUR	5-30 VDC	2000	Remote	-25 to +70	IP67	CPB	PA 12	N/A	--	E	1	A1
Ni5-S12-Y0X-H1141 4030300		5	2-wire DC NAMUR	5-30 VDC	2000	Remote	-25 to +70	IP67	PA	PA	RD	--	H	1	A1
Bi2-EG12-Y0X 4012097		2	2-wire DC NAMUR	5-30 VDC	5000	Remote	-25 to +70	IP67	SS	PA 12	YE	2M/PVC	F	2	A1
Bi2-G12-Y0 1005450		2	2-wire DC NAMUR	5-30 VDC	5000	Remote	-25 to +70	IP67	CPB	PA 12	N/A	2M/PVC	F	2	A1
Bi2-G12-Y0X 4010000		2	2-wire DC NAMUR	5-30 VDC	5000	Remote	-25 to +70	IP67	CPB	PA 12	YE	2M/PVC	F	2	A1
Bi2-P12-Y0 1005456		2	2-wire DC NAMUR	5-30 VDC	5000	Remote	-25 to +70	IP67	PA 12	PA 12	N/A	2M/PVC	I	2	A1
Bi2-P12-Y0X 403000		2	2-wire DC NAMUR	5-30 VDC	5000	Remote	-25 to +70	IP67	PA 12	PA 12	YE	2M/PVC	I	2	A1
Bi2-P12-Y1X/S97 4030021	Low Temp. -40 °C	2	2-wire DC NAMUR	5-30 VDC	5000	Remote	-40 to +70	IP67	PA 12	PA 12	YE	2M/Silicon	I	2	A1
Ni5-G12-Y0 1005451		5	2-wire DC NAMUR	5-30 VDC	2000	Remote	-25 to +70	IP67	CPB	PA 12	N/A	2M/PVC	G	2	A1
Ni5-G12-Y0X 1005458		5	2-wire DC NAMUR	5-30 VDC	2000	Remote	-25 to +70	IP67	CPB	PA 12	YE	2M/PVC	G	2	A1
Ni5-P12-Y0X 1005460		5	2-wire DC NAMUR	5-30 VDC	2000	Remote	-25 to +70	IP67	PA 12	PA 12	YE	2M/PVC	I	2	A1
Ni5-P12-Y1 10094		5	2-wire DC NAMUR	5-30 VDC	2000	Remote	-25 to +70	IP67	PA 12	PA 12	N/A	2M/PVC	I	2	A1

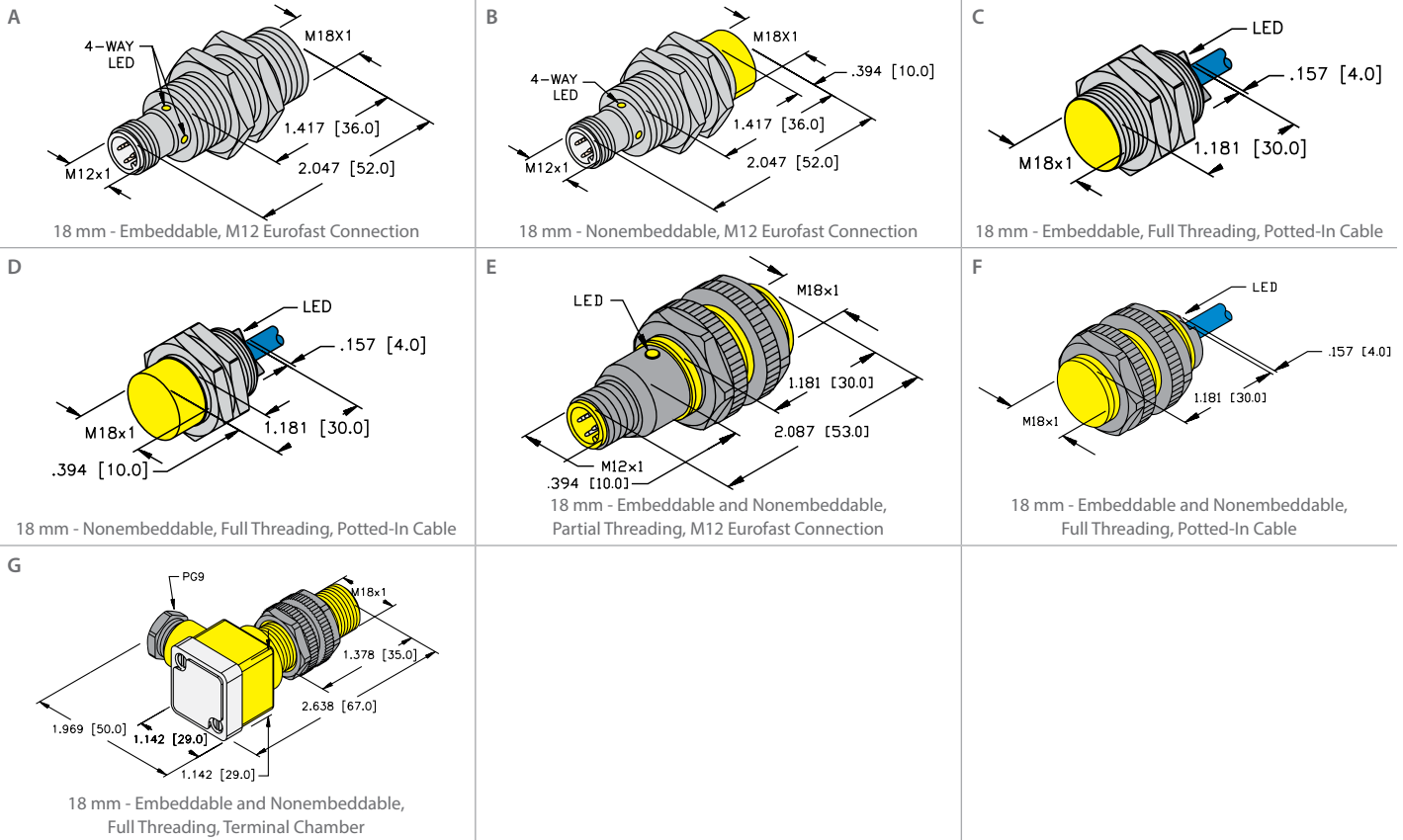
We reserve the right to make technical alterations without prior notice.

Inductive Barrel Sensors

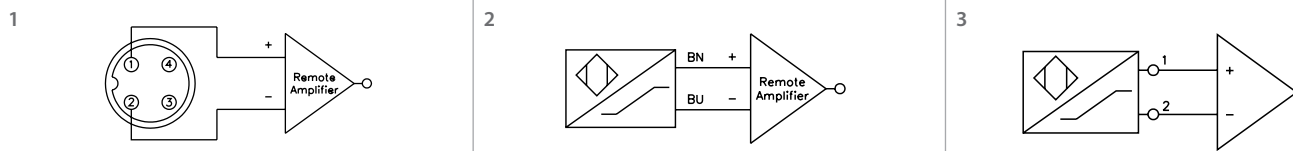
Inductive Barrel Sensors | 18 mm Namur



Dimension Drawings



Wiring Diagrams/Mating Cordsets



A1 2-wire DC NAMUR - (Y0 and Y1)

Differential Travel (Hysteresis):	1-10% (5% typical)	Power-On Effect:	Realized in Amplifier
Nominal Voltage:	8.2 VDC (EN60947-5-6)	Reverse Polarity Protection:	Incorporated
Load Resistance:	1000 Ω	Wire-Break Protection:	Realized in Amplifier
Non-Activated Current Consumption:	≥2.1 mA	Transient Protection:	Realized in Amplifier
Activated Current Consumption:	≤1.2 mA	Shock:	30 g, 11 ms
Recommended Switching Point for Remote Amplifier:	>1.2 to <2.1 mA, typ. 1.55 mA ON/1.75 mA OFF	Vibration:	55 Hz, 1 mm Amplitude in all 3 Planes
		Repeatability:	≤2% of Rated Operating Distance

Amplifier Note:

Inductive sensors with Namur outputs are typically used in hazardous locations and the approval agencies require the use of an amplifier to regulate the signals in the hazardous area. Due to the wide variety of approvals, output options, and amplifier designs, it is not possible to incorporate all of the choices in this catalog. For the most up to date information, please either search for these products under our interface technology product category (www.turck.us) or contact us by phone.

We reserve the right to make technical alterations without prior notice.



Inductive Barrel Sensors | 18 mm Namur

Intrinsically Safe

Part Number/ ID Number	Features	Sensing Range (mm)	Output	Voltage	Switching Freq. (Hz)	Operating Current (mA)	Operating Temp. (°C)	Protection	Housing	Face	Output LED	Cable Length/Jacket	Dimension Drawings	Wiring Diagrams	Spec List
Bi5-M18-Y1X-H1141 40152		5	2-wire DC NAMUR	5-30 VDC	1000	Remote	-25 to +70	IP67	CPB	PA 12	YE	-	A	1	A1
Ni10-M18-Y1X-H1141 40153		10	2-wire DC NAMUR	5-30 VDC	500	Remote	-25 to +70	IP67	CPB	PA 12	YE	--	B	1	A1
Bi5-EG18-Y0 100600		5	2-wire DC NAMUR	5-30 VDC	1000	Remote	-25 to +70	IP67	SS	PA 12	N/A	2M/PVC	C	2	A1
Bi5-G18-Y0 1005452		5	2-wire DC NAMUR	5-30 VDC	1000	Remote	-25 to +70	IP67	CPB	PA 12	N/A	2M/PVC	C	2	A1
Bi5-G18-Y0X 4015000		5	2-wire DC NAMUR	5-30 VDC	1000	Remote	-25 to +70	IP67	CPB	PA 12	YE	2M/PVC	C	2	A1
Ni10-G18-Y0 1006100		10	2-wire DC NAMUR	5-30 VDC	500	Remote	-25 to +70	IP67	CPB	PA 12	N/A	2M/PVC	D	2	A1
Ni10-G18-Y0X 4015100		10	2-wire DC NAMUR	5-30 VDC	500	Remote	-25 to +70	IP67	CPB	PA 12	YE	2M/PVC	D	2	A1
Bi5-S18-Y0X-H1141 4036095		5	2-wire DC NAMUR	5-30 VDC	1000	Remote	-25 to +70	IP67	PA 12	PA 12	YE	--	E	1	A1
Bi5-P18-Y0 1005457		5	2-wire DC NAMUR	5-30 VDC	1000	Remote	-25 to +70	IP67	PA 12	PA 12	N/A	2M/PVC	F	2	A1
Bi5-P18-Y0X 1005462		5	2-wire DC NAMUR	5-30 VDC	1000	Remote	-25 to +70	IP67	PA 12	PA 12	YE	2M/PVC	F	2	A1
Bi5-P18-Y0/S100 1024500	High Temp. 100 °C	5	2-wire DC NAMUR	5-30 VDC	1000	Remote	-25 to +100	IP67	PA 12	IRPA	N/A	2M/PVC	F	2	A1
Ni10-P18-Y0X 1005463		10	2-wire DC NAMUR	5-30 VDC	500	Remote	-25 to +70	IP67	PA 12	PA 12	YE	2M/PVC	F	2	A1
Ni10-P18-Y1 10096		10	2-wire DC NAMUR	5-30 VDC	500	Remote	-25 to +70	IP67	PA 12	PA 12	N/A	2M/PVC	F	2	A1
Ni10-P18-Y0/S100 103170	High Temp. 100 °C	10	2-wire DC NAMUR	5-30 VDC	500	Remote	-25 to +100	IP67	PA 12	IRPA	N/A	2M/PVC	F	2	A1
Bi5-P18SK-Y1X 40360		5	2-wire DC NAMUR	5-30 VDC	1000	Remote	-25 to +70	IP67	PA 12	PA 12	YE	--	G	3	A1
Ni10-P18SK-Y1X 40361		10	2-wire DC NAMUR	5-30 VDC	500	Remote	-25 to +70	IP67	PA 12	PA 12	YE	--	G	3	A1

We reserve the right to make technical alterations without prior notice.

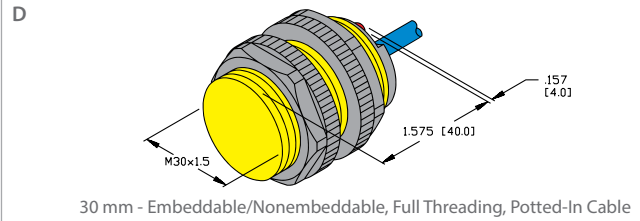
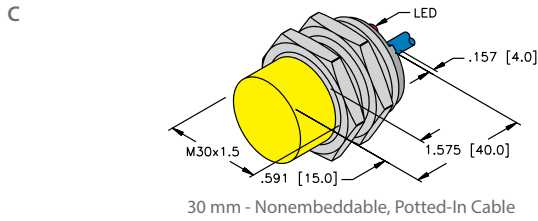
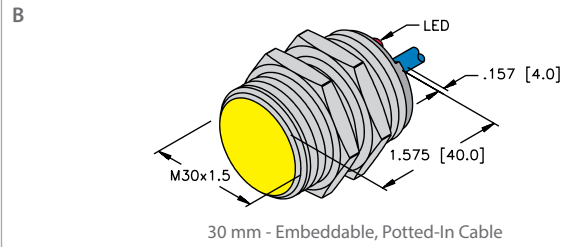
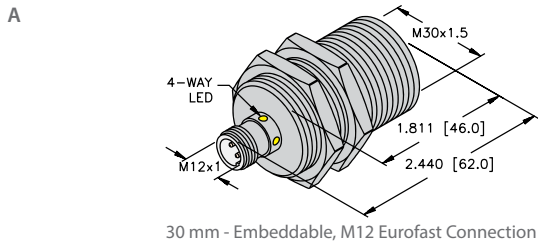
Inductive Barrel Sensors



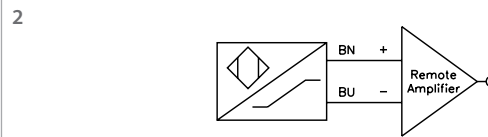
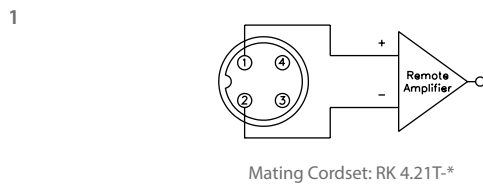
Inductive Barrel Sensors | 30 mm Namur



Dimension Drawings



Wiring Diagrams/Mating Cordsets



A1 2-wire DC NAMUR - (Y0 and Y1)

Differential Travel (Hysteresis):	1-10% (5% typical)	Power-On Effect:	Realized in Amplifier
Nominal Voltage:	8.2 VDC (EN60947-5-6)	Reverse Polarity Protection:	Incorporated
Load Resistance:	1000 Ω	Wire-Break Protection:	Realized in Amplifier
Non-Activated Current Consumption:	≥2.1 mA	Transient Protection:	Realized in Amplifier
Activated Current Consumption:	≤1.2 mA	Shock:	30 g, 11 ms
Recommended Switching Point for Remote		Vibration:	55 Hz, 1 mm Amplitude in all 3 Planes
Amplifier:	>1.2 to <2.1 mA, typ. 1.55 mA ON/1.75 mA OFF	Repeatability:	≤2% of Rated Operating Distance

Amplifier Note:

Inductive sensors with Namur outputs are typically used in hazardous locations and the approval agencies require the use of an amplifier to regulate the signals in the hazardous area. Due to the wide variety of approvals, output options, and amplifier designs, it is not possible to incorporate all of the choices in this catalog. For the most up to date information, please either search for these products under our interface technology product category (www.turck.us) or contact us by phone.

We reserve the right to make technical alterations without prior notice.



Inductive Barrel Sensors | 30 mm Namur

Intrinsically Safe

Part Number/ ID Number	Features	Sensing Range (mm)	Output	Voltage	Switching Freq. (Hz)	Operating Current (mA)	Operating Temp. (°C)	Protection	Housing	Face	Output LED	Cable Length/Jacket	Dimension Drawings	Wiring Diagrams	Spec List
Bi10-M30-Y1X-H1141 40202		10	2-wire DC NAMUR	5-30 VDC	2000	Remote	-25 to +70	IP67	CPB	PA 12	YE	-	A	1	A1
Bi10-G30-Y0 1005453	Short Barrel	10	2-wire DC NAMUR	5-30 VDC	200	Remote	-25 to +70	IP67	CPB	PA 12	N/A	2M/PVC	B	2	A1
Bi10-G30-Y0X 1005459	Short Barrel	10	2-wire DC NAMUR	5-30 VDC	200	Remote	-25 to +70	IP67	CPB	PA 12	YE	2M/PVC	B	2	A1
Ni15-G30-Y0 1005454		15	2-wire DC NAMUR	5-30 VDC	200	Remote	-25 to +70	IP67	CPB	PA 12	N/A	2M/PVC	C	2	A1
Ni15-G30-Y0X 4020100		15	2-wire DC NAMUR	5-30 VDC	200	Remote	-25 to +70	IP67	CPB	PA 12	YE	2M/PVC	C	2	A1
Bi10-P30-Y0X 404000		10	2-wire DC NAMUR	5-30 VDC	500	Remote	-25 to +70	IP67	PA 12	PA 12	YE	2M/PVC	D	2	A1
Bi10-P30-Y1 10097		10	2-wire DC NAMUR	5-30 VDC	500	Remote	-25 to +70	IP67	PA 12	PA 12	N/A	2M/PVC	D	2	A1
Ni15-P30-Y0X 1005465		15	2-wire DC NAMUR	5-30 VDC	200	Remote	-25 to +70	IP67	PA 12	PA 12	YE	2M/PVC	D	2	A1
Ni15-P30-Y1 10098		15	2-wire DC NAMUR	5-30 VDC	200	Remote	-25 to +70	IP67	PA 12	PA 12	N/A	2M/PVC	D	2	A1

We reserve the right to make technical alterations without prior notice.

Inductive Barrel Sensors

